

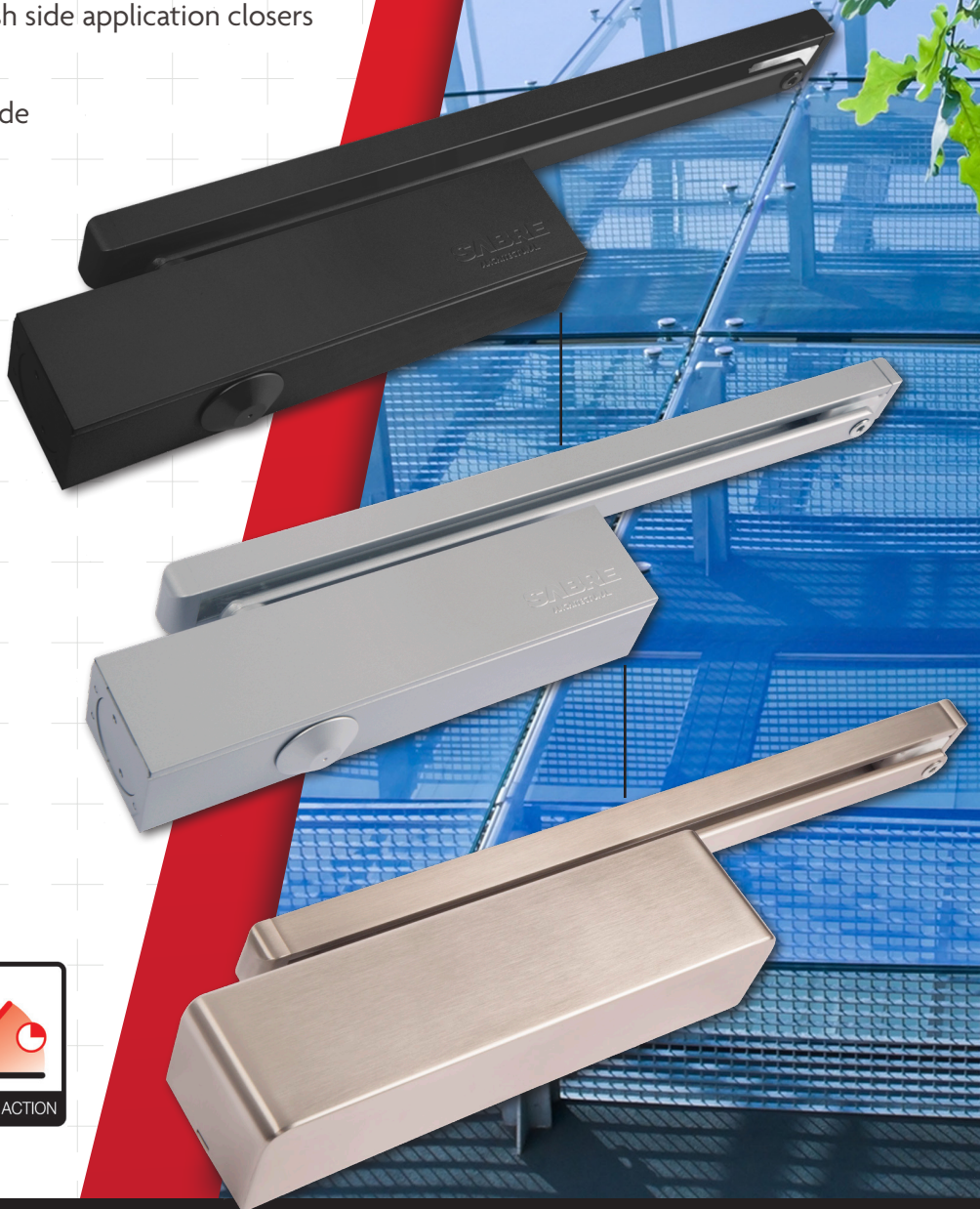
SABRE[®]

ARCHITECTURAL

515 CAM ACTION DOOR CLOSER

FOR USE ON TIMBER, METAL AND
ALUMINIUM DOORS

- Models to suit push and pull side applications
- Angle bracket included on all push side application closers
- Size 1 to 5 spring adjustable
- Door sizes 750mm to 1250mm wide
- Door weight 20kg to 100kg
- Adjustable back check
- Delayed action



www.sabre.com.au

515 CAM ACTION DOOR CLOSER

SPECIFICATIONS

The 515 is considered the flagship of the Sabre door closer range. The highly efficient cam action closer meets Australian Standard AS1428.1 design for access and mobility. Different from standard rack and pinion closers the cam mechanism allows easy opening which is ideally suited to public buildings, aged care facilities and door openings where

children may be entering. The 515 cam action closer is combined with a track arm mechanism which is more aesthetically appealing when compared to normal scissor arm door closers. Its sleek looks are available in standard silver finish or with stainless steel cover to match with some of the industries stainless door furniture.

515-SIL

Pull Side

SAB-DCCA515-PULL-SIL

Push Side

SAB-DCCA515-PUSH-SIL



515-SSS

Pull Side

SAB-DCCA515-PULL-SSS

Push Side

SAB-DCCA515-PUSH-SSS



515-BLK

Pull Side

SAB-DCCA515-PULL-BLK

Push Side

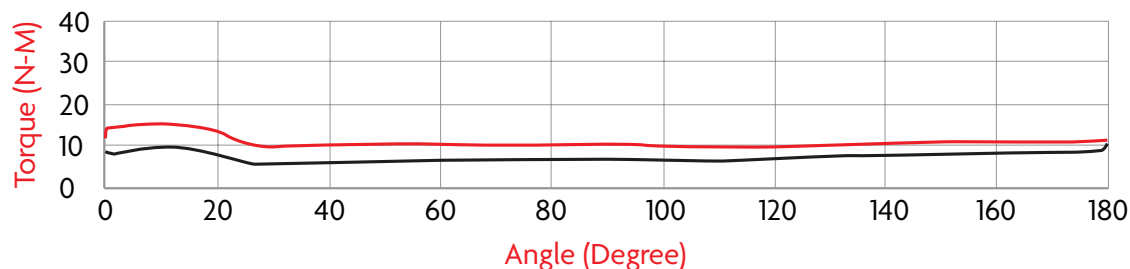
SAB-DCCA515-PUSH-BLK



EFFICIENCY

The graph shown below indicates the approximate (Torque N-M) force required to open the door in size 1 installation. This graph was recorded in a controlled environment and any changes to these conditions may

result in different outcomes. Variable air pressures and incorrect door installation will have an impact on these results.



ACCESSORIES

CUSHION LIMITING STAY

SAB-DCCACL5

In some situations, door stops cannot be installed due to the limited open angle of some installations. This is when a limiting stay can be installed in the slide track to limit the opening of the door between 80° and 120°



MOUNTING PLATE TO SUIT 515

SAB-DCCA515-MP-SIL

In some instances the standard body fixing points aren't enough to secure the closer body to the doors surface e.g. hollow core doors and some aluminium doors. The additional fixing holes in the mounting plate provides more secure fixing options.



HOLD OPEN DEVICE

SAB-DCCAHO

The hold open device allows doors to be held open at a maximum of 150° or when the opening angle is not restricted to site conditions. The hold open device is not to be used on fire and smoke doors.

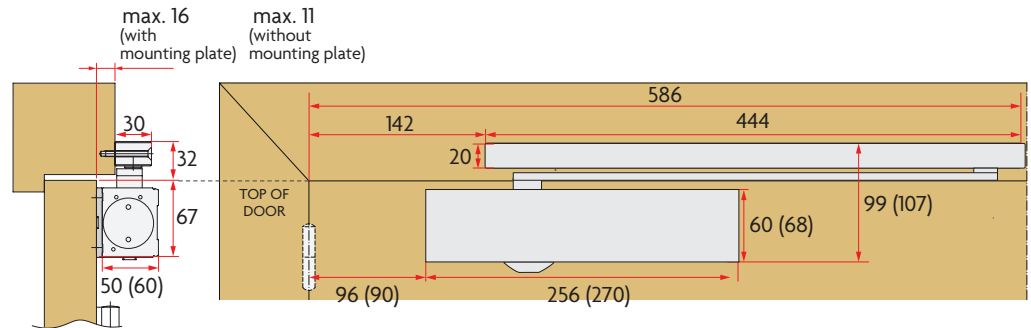
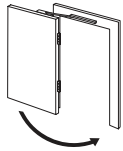


515 CAM ACTION DOOR CLOSER

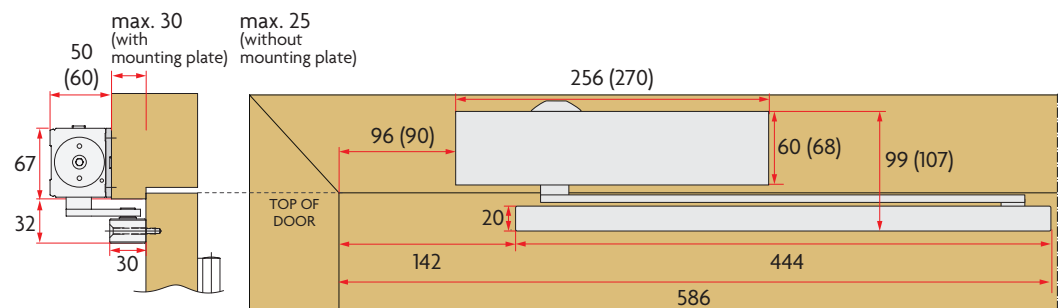
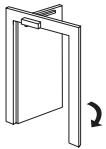
PULL BODY

() indicates cover installation dimensions.

DOOR MOUNT
PULL SIDE
MAX OPENING 180°

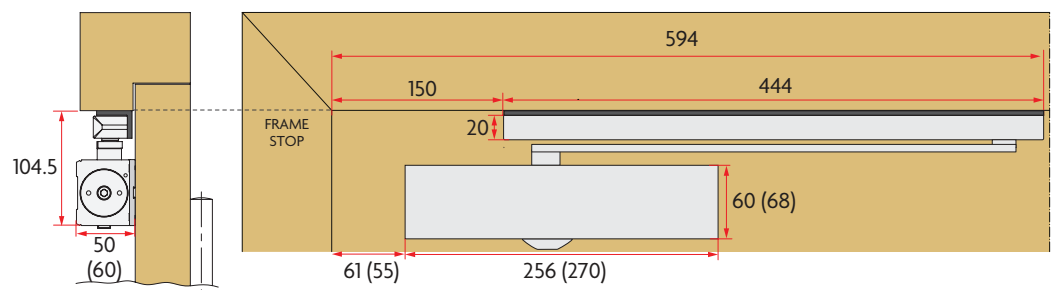
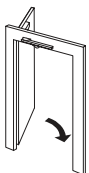


TRANSOM MOUNT
PUSH SIDE
MAX OPENING 120°

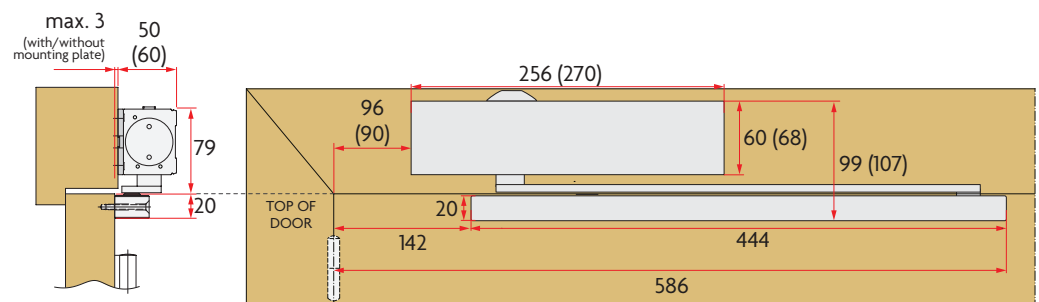
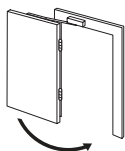


PUSH BODY

DOOR MOUNT
PUSH SIDE
MAX OPENING 120°
(inc. angle bracket)



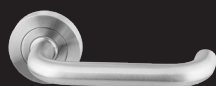
TRANSOM MOUNT
PULL SIDE
MAX OPENING 180°



RELATED PRODUCTS



SAB-BS-UATRH-BW
Accessible Toilet - RH



SAB-LS-R53-H01-SSS
H01 Lever on Rose Set



SAB-IAT-R53-RH-SSS
Accessible Turn

SABRE
ARCHITECTURAL
www.sabre.com.au