

TECHNICAL DATA SHEET LIQUID SOAP DISPENSERS

AS1428.1 COMPLIANT

STAINLESS STEEL

5 YEAR FINISH WARRANTY

PRODUCT CODE

SAB-LSD-H-SSS (Horizontal)

SAB-LSD-V-SSS (Vertical)

PRODUCT FEATURES

The SABRE range of liquid soap dispensers have been developed to meet the demand for a suitable liquid soap dispenser that can be used within commercial projects. SABRE liquid soap dispensers are created with a sleek modern design in mind and are made from Stainless Steel with a satin finish.

The 1.2L capacity dispenser comes standard with a plastic insert to help protect against corrosive soaps. Its complementing design in both horizontal and vertical layouts are to ensure they suit a variety of commercial applications when required.

When mounted in the required position, and the ability to operate the plunger with one hand, allows this product to be AS1428.1 compliant.

* Not suitable with any alcohol or iodine based soaps or liquids.

TECHNICAL DETAILS

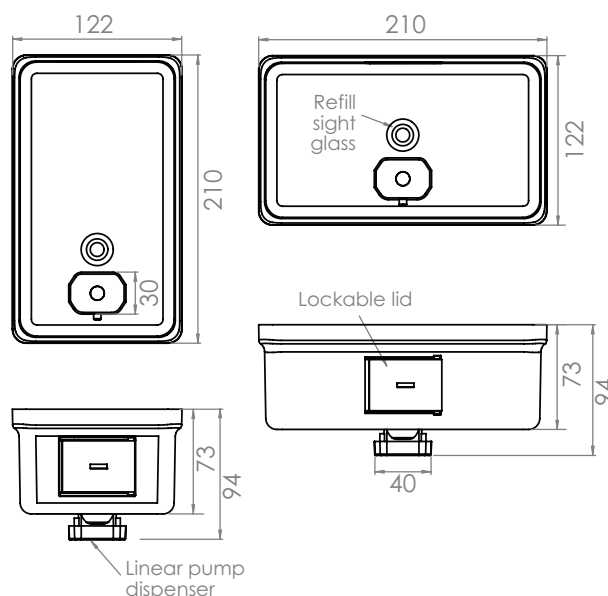
AS1428.1 Compliant	Yes (when installed in compliance with the positioning of section 12.4.3)
Refill Sight Gauge	Yes
Material	Casing with lockable lid – 304 Stainless Steel Inner bladder – Anti-corrosive plastic Linear Pump Dispenser – ABS plastic
Finish	Satin Stainless Steel
Capacity	1.2L
Fixing	Concealed fixing using stainless steel V bracket with 3 fix positions
Fasteners	6g x 20mm screws with plastic wall plugs (3)

INSTALLATION

Fix the concealed V mounting bracket to the wall to accommodate the intended position of the liquid soap dispenser.

If AS1428.1 compliance is required, ensure that the centre of the linear pump is between 900mm to 1100mm from the finished floor level and the edges are no closer than 500mm from an internal corner.

Slide the liquid soap dispenser into the concealed V mounting bracket.



Concealed wall plate

