

# Door Controls



# SABRE

## ARCHITECTURAL

As a brand, Sabre Hardware has been a part of the architectural construction supply landscape for over 40 years. Originally launched by Specialty Hardware in Sydney, Sabre became part of the family-owned Access Hardware Group in 2010, facilitating more product investment and development to meet changing market demands.

Our strategic partnerships with manufacturers in the United States, China, Taiwan and Australia have been a cornerstone of our ability to meet customer needs. We will continue to invest in these partnerships to deliver on our mission statement; to always strive to offer quality hardware solutions at the right price. Before a product is branded Sabre, it is rigorously tested to ensure it meets market expectations.

The Sabre product range covers common product categories such as door controls, locksets, entrance handles, general hardware and commercial washroom equipment. Sabre branded products are dispatched daily to all states and territories around Australia.



1-4 Adjustable Spring Strength



4-6 Adjustable Spring Strength



2-4 Position Spring Strength



90° Hold Open



2-5 Adjustable Spring Strength



105° Hold Open



3 Fixed Strength



Back Check



3-5 Adjustable Spring Strength



Delayed Action



3-6 Adjustable Spring Strength



Parallel Arm Bracket



4 Fixed Strength



Made in the USA



10 Year Mechanical Warranty



Made from 304 Stainless Steel



5 Year Mechanical Warranty



AS1428.1 Compliant



Fire Rated Fire rated

# Door Controls

514 Cam Action Door Closer

515 Cam Action Door Closer

625 Door Closer

732 Door Closer

770 Door Closer

835 Door Closer

836 Door Closer

Surface Mounted Door Closer Accessories

850 Transom Closer

Transom Closer Accessories

750 Floor Spring

950 Floor Spring

893 Bottom Rail Concealed Door Closer

Sequence Selectors

# 514 CAM ACTION DOOR CLOSER

FOR USE ON TIMBER, METAL AND ALUMINIUM DOORS

Although being the smaller strength model of the Sabre cam action door closer range the 514 still upholds the highly efficient attributes of the bigger 515 model only excluding the delayed action function. Whilst aiming to continue to deliver an easy opening force to meet operating criteria of AS1428.1 design for access and mobility. It's complementing design including sliding track arm mechanism will never look out of place whether it's in a public space or a modern office environment.

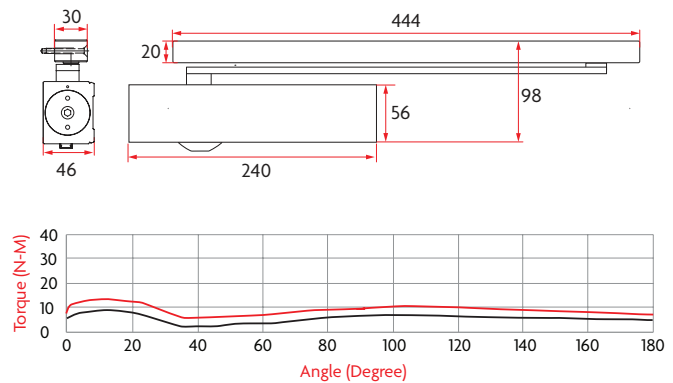
- Models to suit push and pull side applications
- Angle bracket inc. on all push side application closers
- Size 1 to 4 spring adjustable
- Door sizes 750mm to 1100mm wide
- Door weight 20kg to 80kg
- Adjustable back check



Fire Rated



## 514 Cam Action Door Closer



### CODE

SAB-DCCA514-PULL  
SAB-DCCA514-PUSH

### FINISH

SSS - Satin Stainless Steel  
SIL - Silver

### DETAILS

Push side body includes angle bracket

### EFFICIENCY

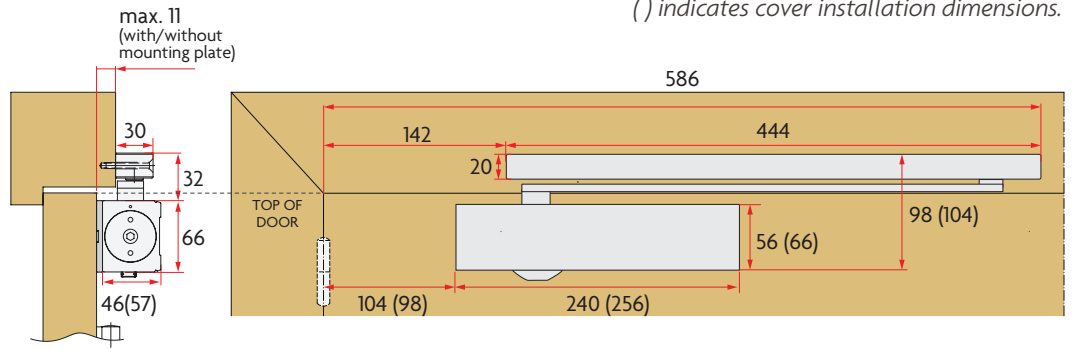
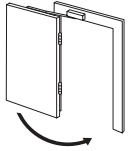
The graph shown above indicates the approximate (Torque N-M) force required to open the door is size 1 installation. This graph was recorded in a controlled environment and any changes to these conditions may result in different outcomes. Variable air pressures and incorrect door installation will have an impact on these results.

# 514 CAM ACTION DOOR CLOSER

## Pull Body

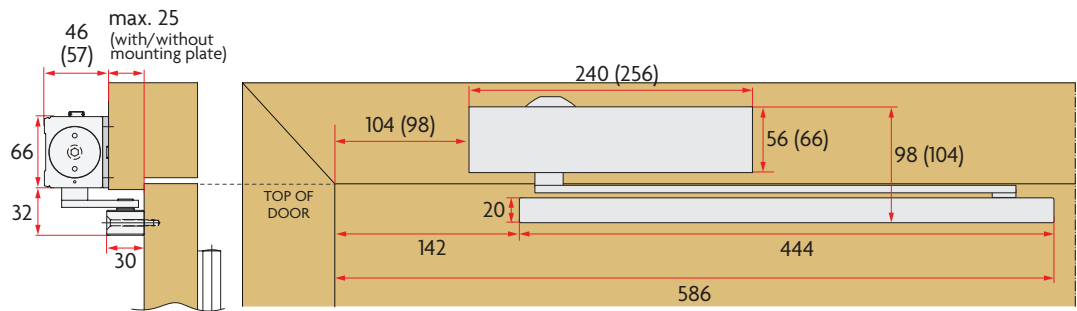
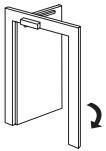
### DETAILS

- Door mount
- Pull side
- Max opening 180°



### DETAILS

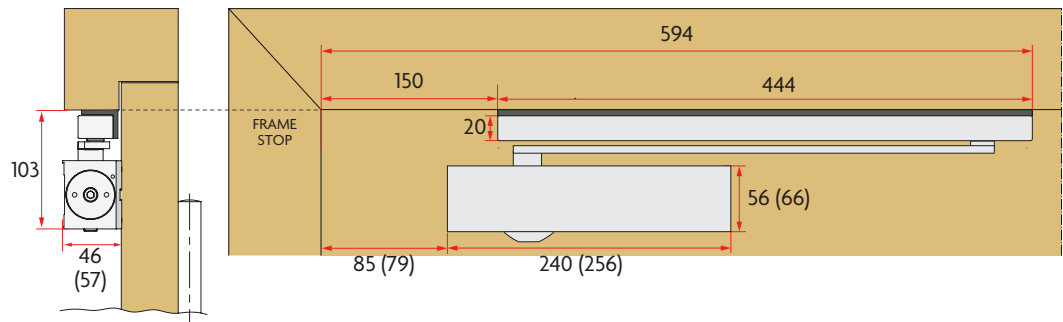
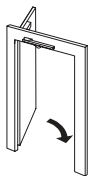
- Transom mount
- Push side
- Max opening 120°



## Push Body

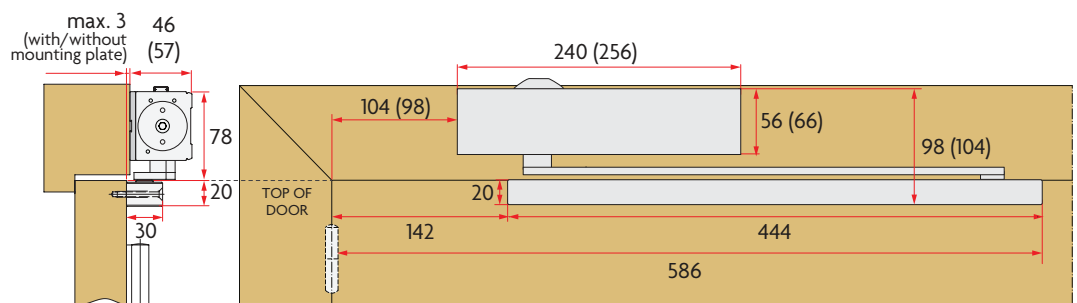
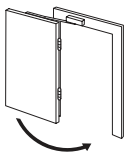
### DETAILS

- Door mount
- Push side
- Max opening 120°
- (Inc. angle bracket)



### DETAILS

- Transom mount
- Pull side
- Max opening 180°



# 515 CAM ACTION DOOR CLOSER

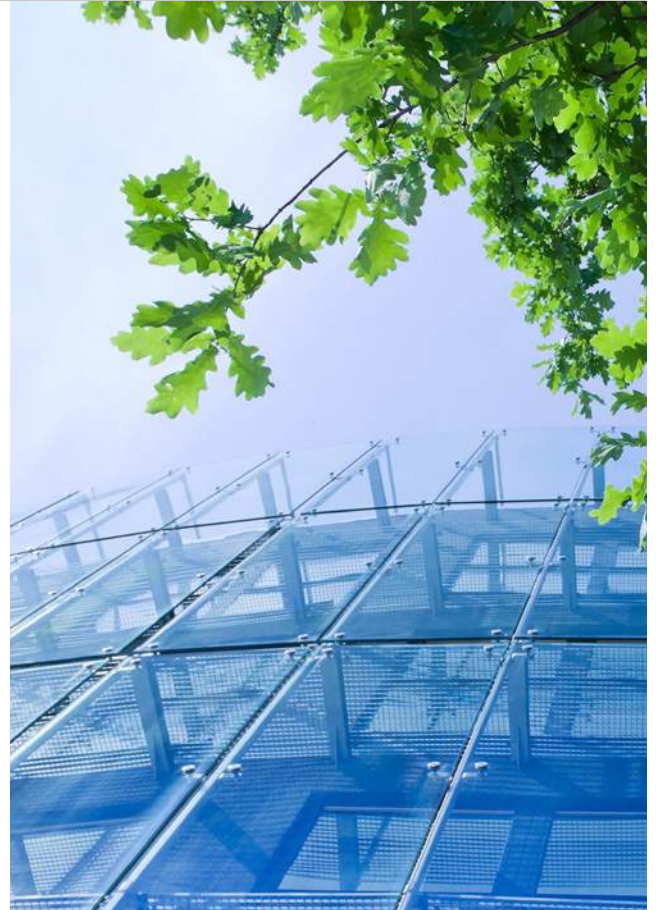
## FOR USE ON TIMBER, METAL AND ALUMINIUM DOORS

The 515 is considered the flagship of the Sabre door closer range. The highly efficient cam action closer meets Australian Standard AS1428.1 design for access and mobility. Different from standard rack and pinion closers the cam mechanism allows easy opening which is ideally suited to public buildings, aged care facilities and door openings where children may be entering. The 515 cam action closer is combined with a track arm mechanism which is more aesthetically appealing when compared to normal scissor arm door closers. Its sleek looks are available in standard sliver finish or with stainless steel cover to match with some of the industries stainless door furniture..

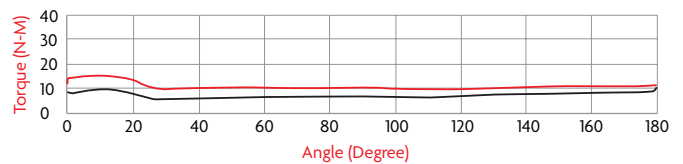
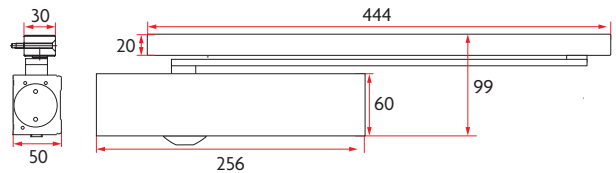
- Models to suit push and pull side applications
- Angle bracket inc. on all push side application closers
- Size 1 to 5 spring adjustable
- Door sizes 750mm to 1250mm wide
- Door weight 20kg to 100kg
- Adjustable back check
- Delayed action



**Fire Rated**



### 515 Cam Action Door Closer



#### CODE

SAB-DCCA515-PULL  
SAB-DCCA515-PUSH

#### FINISH

SSS - Satin Stainless Steel  
SIL - Silver  
BLK - Black

#### DETAILS

Push side body includes angle bracket

#### EFFICIENCY

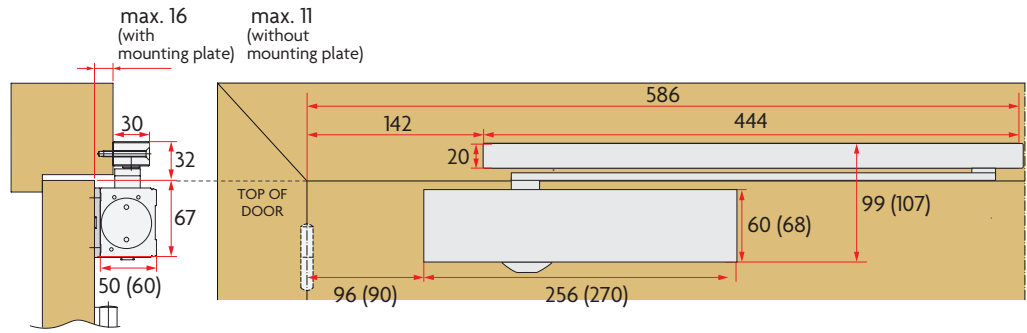
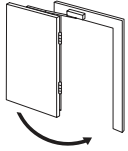
The graph shown above indicates the approximate (Torque N-M) force required to open the door is size 1 installation. This graph was recorded in a controlled environment and any changes to these conditions may result in different outcomes. Variable air pressures and incorrect door installation will have an impact on these results.

# 515 CAM ACTION DOOR CLOSER

## Pull Body

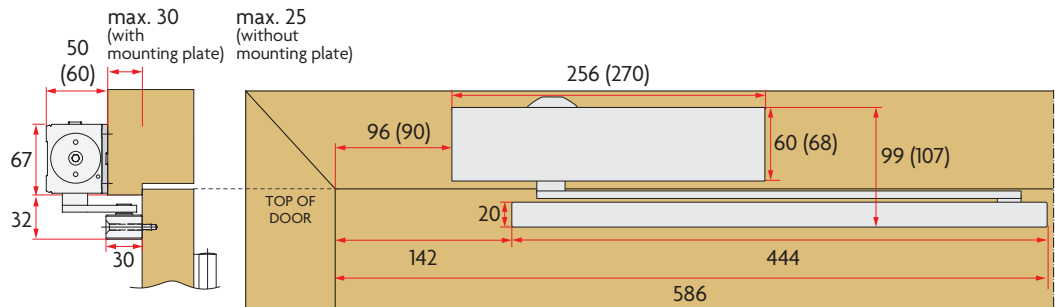
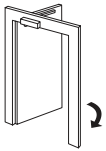
### DETAILS

- Door mount
- Pull side
- Max opening 180°



### DETAILS

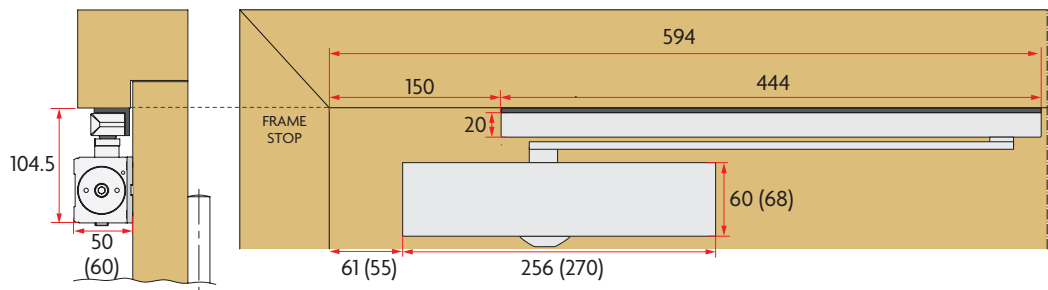
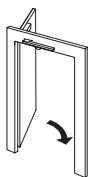
- Transom mount
- Push side
- Max opening 120°



## Push Body

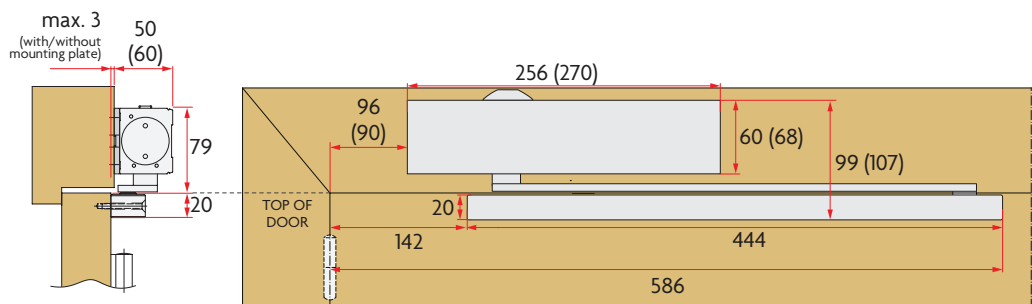
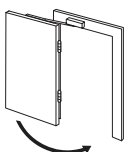
### DETAILS

- Door mount
- Push side
- Max opening 120°
- (Inc. angle bracket)



### DETAILS

- Transom mount
- Pull side
- Max opening 180°



# CAM ACTION DOOR CLOSER ACCESSORIES

## Hold Open Device



**CODE**  
SAB-DCCAHO

**DETAILS**  
Is suitable for replacing the standard slide block in 514/515 track arms to allow doors to be held open no greater than 150° where site conditions allow. Not suitable for fire doors.

## Cushion Limiting Stay



**CODE**  
SAB-DCCACLS

**DETAILS**  
Is suitable in 514/515 track arms to act as a door stop if a door stop cannot be installed in a normal situation. Can act within 80-120° where site conditions allow.

## Mounting Plate to Suit 514



**CODE**  
SAB-DCCA514-MP

**FINISH**  
SIL - Silver

**DETAILS**  
Only suitable with the 514 door closer. The mounting plate provides secure fixing options where standard fixing points on the closer body cannot be used effectively.

## Mounting Plate to Suit 515



**CODE**  
SAB-DCCA515-MP

**FINISH**  
SIL - Silver

**DETAILS**  
Only suitable with the 515 door closer. The mounting plate provides secure fixing options where standard fixing points on the closer body cannot be used effectively.



# 625 DOOR CLOSER

## SUITABLE FOR TIMBER, METAL AND ALUMINIUM DOORS

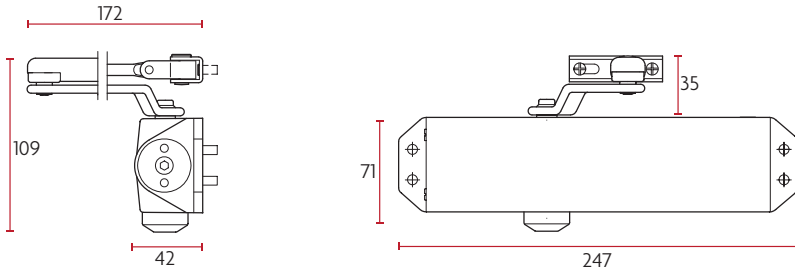
The 625 Door Closer is Sabre's most versatile closer yet, with generous spring strength adjustment including back check. Its slimline design and optional designer cover make sure it never looks out of place. Capable of providing many years of reliable operation in both standard and track arm applications.

- Size 2 to 5 spring adjustable
- Suits door widths from 850mm to 1250mm
- Door weight 40kg to 100kg
- 180° opening
- Non handed
- Adjustable back check
- Parallel arm bracket
- Track arm application available

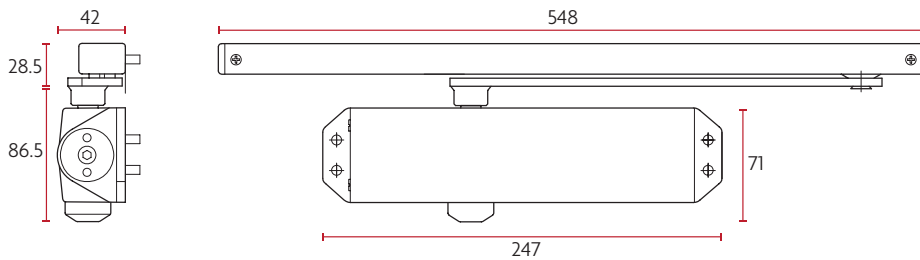


### 625 Door Closer

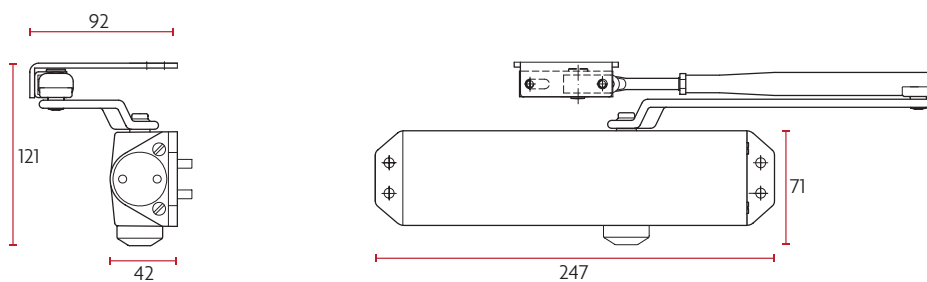
#### STANDARD ARM



#### TRACK ARM



#### PARALLEL ARM



# 625 DOOR CLOSER

## 625 Door Closer - Standard Arm



**CODE**  
SAB-DC625

**DESCRIPTION**  
Door closer adj size 2-5 BC PA

**FINISH**  
SIL - Silver

## 625 Door Closer - Standard Arm With Cover



### ORDERING DETAILS

**CODE**  
SAB-DC625  
SAB-DC625-COV

**DESCRIPTION**  
Door closer adj size 2-5 BC PA  
Cover for 625 closer

**FINISH**  
SIL - Silver

## 625 Door Closer - Track Arm



### ORDERING DETAILS

**CODE**  
SAB-DC625  
SAB-DCTAHO

**DESCRIPTION**  
Door closer adj size 2-5 BC PA  
Hold open track arm

**FINISH**  
SIL - Silver

## 625 Door Closer - Track Arm With Cover



### ORDERING DETAILS

**CODE**  
SAB-DC625  
SAB-DC625-COV  
SAB-DCTAHO

**DESCRIPTION**  
Door closer adj size 2-5 BC PA  
Cover for 625 closer  
Hold open track arm

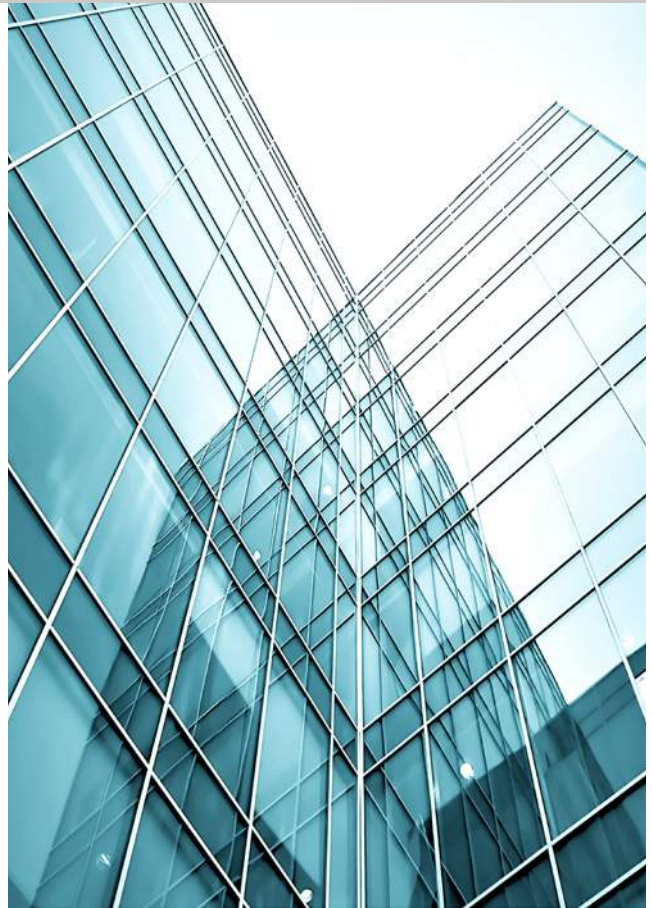
**FINISH**  
SIL - Silver

# 732 DOOR CLOSER

## SUITABLE FOR TIMBER, METAL AND ALUMINIUM DOORS

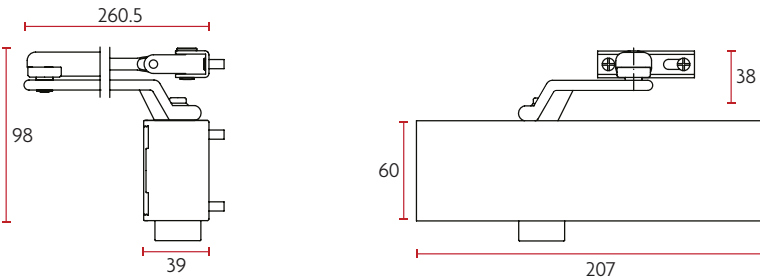
The 732 Door Closer provides commercial durability with economical functionality. Manufactured to suit internal doors or light external doors. Installation options include standard or track arm applications including adjustable back check, latching and closing speeds.

- Size 2/3/4 position adjustable
- Suits door widths from 850mm to 1100mm
- Door weight 40kg to 80kg
- 180° opening
- Non handed
- Adjustable back check
- Parallel arm bracket
- Track arm application available

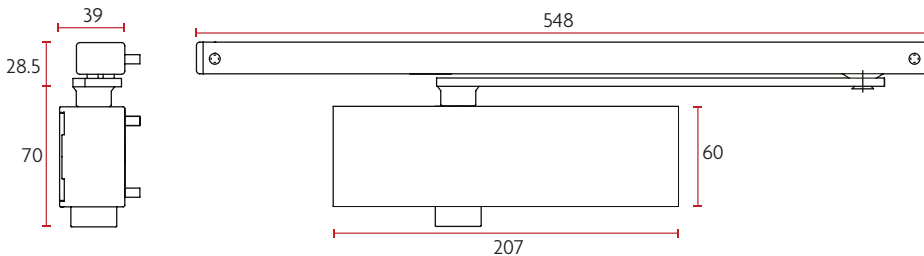


### 732 Door Closer

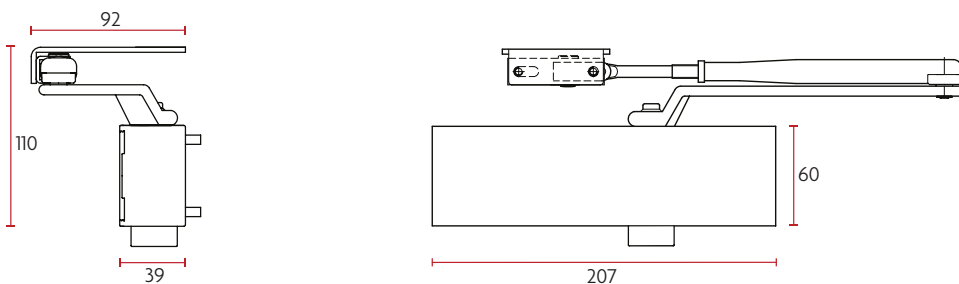
#### STANDARD ARM



#### TRACK ARM



#### PARALLEL ARM



# 732 DOOR CLOSER

## 732 Door Closer - Standard Arm



**CODE**  
SAB-DC732

**DESCRIPTION**  
Door closer pos adj size 2/3/4 BC PA

**FINISH**  
SIL - Silver  
BLK - Black

## 732 Door Closer - Standard Arm With Cover



### ORDERING DETAILS

<b>CODE</b>	<b>DESCRIPTION</b>
SAB-DC732	Door closer pos adj size 2/3/4 BC PA
SAB-DC835-COV	Cover for 732/835 closer

**FINISH (cover only)**  
SSS - Satin Stainless Steel  
PSS - Polished Stainless Steel

## 732 Door Closer - Track Arm



### ORDERING DETAILS

<b>CODE</b>	<b>DESCRIPTION</b>
SAB-DC732	Door closer pos adj size 2/3/4 BC PA
SAB-DCTAHO	Hold open track arm

**FINISH**  
SIL - Silver

## 732 Door Closer - Track Arm With Cover



### ORDERING DETAILS

<b>CODE</b>	<b>DESCRIPTION</b>
SAB-DC732	Door closer pos adj size 2/3/4 BC PA
SAB-DC835-COV	Cover for 732/835 closer
SAB-DCTAHO	Hold open track arm

**FINISH (track and cover only)**  
SSS - Satin Stainless Steel  
PSS - Polished Stainless Steel

# 770 DOOR CLOSER

## SUITABLE FOR TIMBER, METAL AND ALUMINIUM DOORS

The 770 Door Closer was designed for the budget conscious in mind. Non handed and easy to install the 770 Door Closer includes features such as adjustable back check, latching and closing speeds. Parallel arm applications are possible with the addition of the parallel arm bracket which is available separately.

- Size 2/3/4 position adjustable
- Suits door widths from 850mm to 1100mm
- Door weight 40kg to 80kg
- 180° opening
- Non handed
- Adjustable back check
- Parallel arm bracket (optional extra)
- Track arm application available

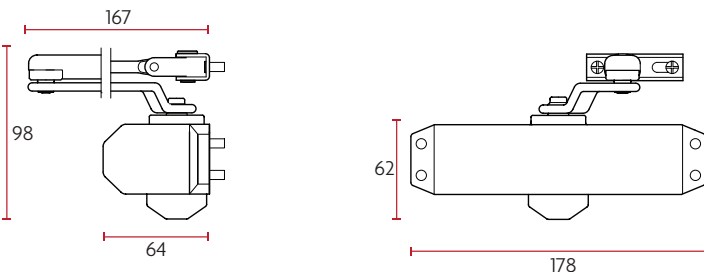


**Fire Rated**

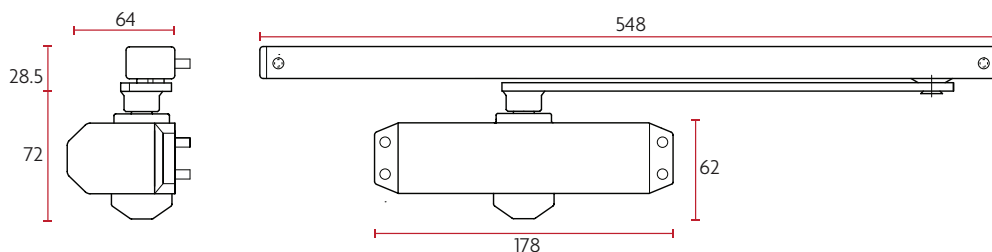


### 770 Door Closer

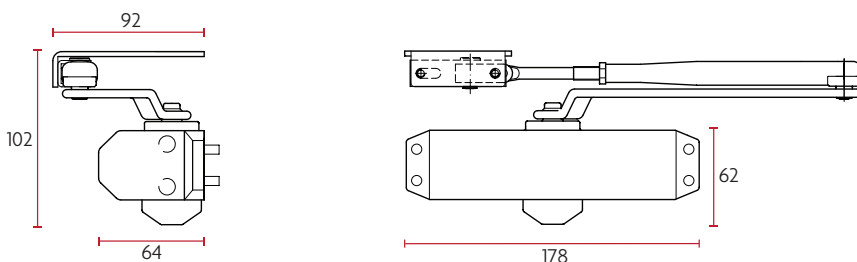
#### STANDARD ARM



#### TRACK ARM



#### PARALLEL ARM



# 770 DOOR CLOSER

## 770 Door Closer - Standard Arm



**CODE**  
SAB-DC770

**DESCRIPTION**  
Door closer pos adj size 2/3/4 BC PA

**FINISH**  
SIL - Silver

## 770 Door Closer - Standard Arm With Cover



### ORDERING DETAILS

<b>CODE</b>	<b>DESCRIPTION</b>
SAB-DC770	Door closer pos adj size 2/3/4 BC PA
SAB-DC770-COV	Cover for 770 closer

**FINISH (cover only)**  
SSS - Satin Stainless Steel  
PSS - Polished Stainless Steel

## 770 Door Closer - Track Arm

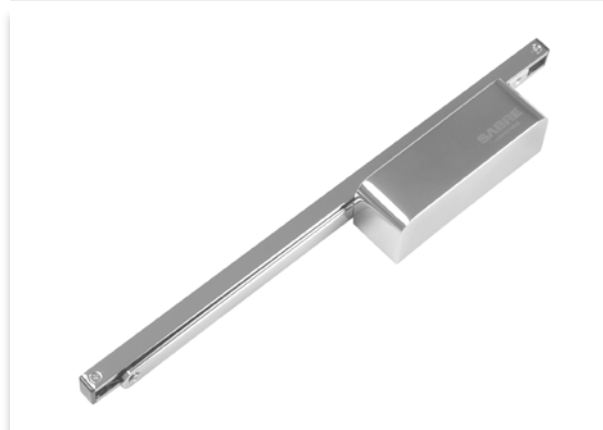


### ORDERING DETAILS

<b>CODE</b>	<b>DESCRIPTION</b>
SAB-DC770	Door Closer Pos Adj Size 2/3/4 BC PA
SAB-DCTAHO	Hold Open Track Arm

**FINISH**  
SIL - Silver

## 770 Door Closer - Track Arm With Cover



### ORDERING DETAILS

<b>CODE</b>	<b>DESCRIPTION</b>
SAB-DC770	Door closer pos adj size 2/3/4 BC PA
SAB-DC770-COV	Cover for 770 closer
SAB-DCTAHO	Hold open track arm

**FINISH (track and cover only)**  
SSS - Satin Stainless Steel  
PSS - Polished Stainless Steel

# 835 DOOR CLOSER

## SUITABLE FOR TIMBER, METAL AND ALUMINIUM DOORS

The 835 Door Closer is the practical door closing solution. Complete with all the features and benefits that a multi-function door closer can provide. Its sleek stylish design combined with matching track arms and covers are ideal for any prestige project or specification.

- Size 2 to 5 spring adjustable
- Suits door widths from 850mm to 1250mm
- Door weight 40kg to 100kg
- 180° opening
- Non handed
- Adjustable back check
- Delayed action
- Parallel arm bracket
- Track arm application available

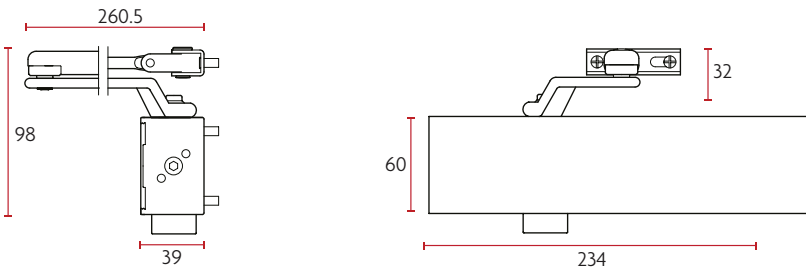


**Fire Rated**

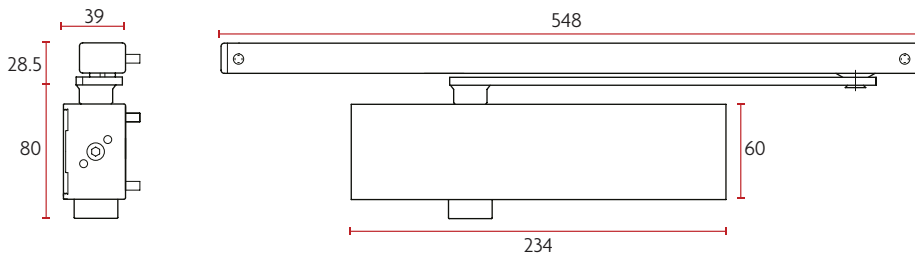


### 835 Door Closer

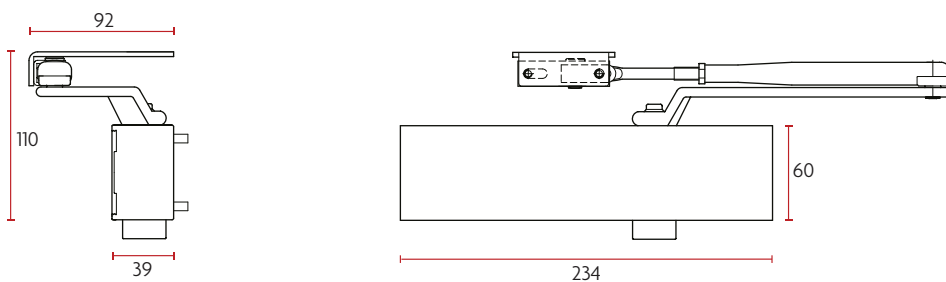
#### STANDARD ARM



#### TRACK ARM



#### PARALLEL ARM



# 835 DOOR CLOSER

## 835 Door Closer - Standard Arm



**CODE**  
SAB-DC835

**DESCRIPTION**  
Door closer adj size 2-5 BC DA PA

**FINISH**  
SIL - Silver  
BLK - Black

## 835 Door Closer - Standard Arm With Cover



### ORDERING DETAILS

<b>CODE</b>	<b>DESCRIPTION</b>
SAB-DC835	Door closer adj size 2-5 BC DA PA
SAB-DC835-COV	Cover for 732/835 closer

**FINISH (cover only)**  
SSS - Satin Stainless Steel  
PSS - Polished Stainless Steel

## 835 Door Closer - Track Arm



### ORDERING DETAILS

<b>CODE</b>	<b>DESCRIPTION</b>
SAB-DC835	Door closer adj size 2-5 BC DA PA
SAB-DCTAHO	Hold open track arm

**FINISH**  
SIL - Silver

## 835 Door Closer - Track Arm With Cover



### ORDERING DETAILS

<b>CODE</b>	<b>DESCRIPTION</b>
SAB-DC835	Door closer adj size 2-5 BC DA PA
SAB-DC835-COV	Cover for 732/835 closer
SAB-DCTAHO	Hold open track arm

**FINISH (track and cover only)**  
SSS - Satin Stainless Steel  
PSS - Polished Stainless Steel



# 836 DOOR CLOSER

## SUITABLE FOR TIMBER, METAL AND ALUMINIUM DOORS

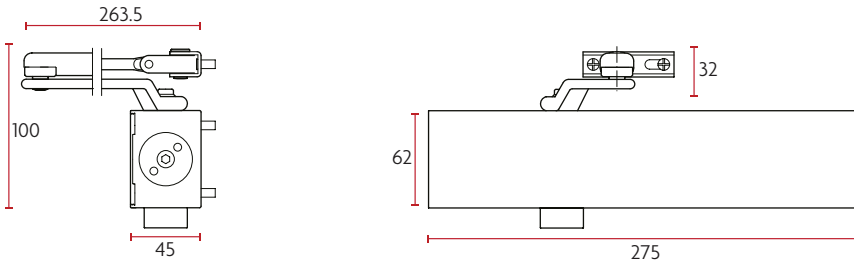
The 836 Premium Door Closer offers outstanding versatility with the power to match. Engineered from quality materials the 836 Door Closer will provide years of maintenance free smooth operation, while maintaining functionality to suit almost any application.

- Size 3 to 6 spring adjustable
- Suits door widths from 950mm to 1450mm
- Door weight 60kg to 120kg
- 180° opening
- Non handed
- Adjustable back check
- Delayed action
- Parallel arm bracket
- Track arm application available

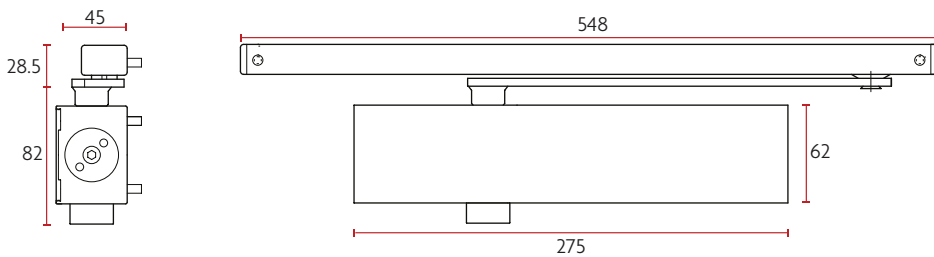


### 836 Door Closer

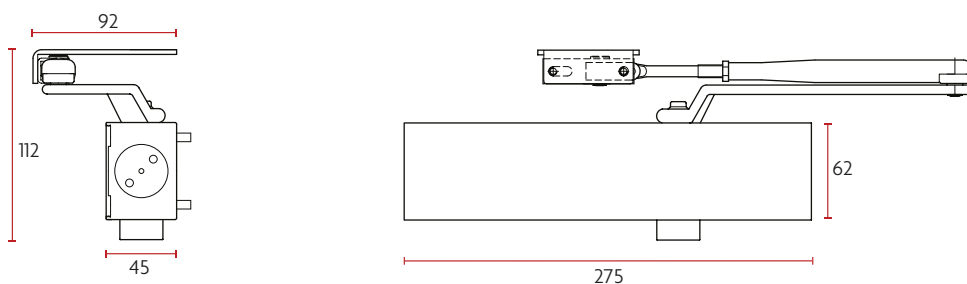
#### STANDARD ARM



#### TRACK ARM



#### PARALLEL ARM



# 836 DOOR CLOSER

## 836 Door Closer - Standard Arm



**CODE**  
SAB-DC836

**DESCRIPTION**  
Door closer adj size 3-6 BC DA PA

**FINISH**  
SIL - Silver  
BLK - Black

## 836 Door Closer - Standard Arm With Cover



**ORDERING DETAILS**

**CODE**                      **DESCRIPTION**  
SAB-DC836                  Door closer adj size 3-6 BC DA PA  
SAB-DC836-COV          Cover for 836 closer

**FINISH (cover only)**  
SSS - Satin Stainless Steel  
PSS - Polished Stainless Steel

## 836 Door Closer - Track Arm



**ORDERING DETAILS**

**CODE**                      **DESCRIPTION**  
SAB-DC836                  Door closer adj size 3-6 BC DA PA  
SAB-DCTAHO                Hold open track arm

**FINISH**  
SIL - Silver

## 836 Door Closer - Track Arm With Cover



**ORDERING DETAILS**

**CODE**                      **DESCRIPTION**  
SAB-DC836                  Door closer adj size 3-6 BC DA PA  
SAB-DC836-COV          Cover for 836 closer  
SAB-DCTAHO                Hold open track arm

**FINISH (track and cover only)**  
SSS - Satin Stainless Steel  
PSS - Polished Stainless Steel

# SURFACE MOUNTED DOOR CLOSER ACCESSORIES

## Cover - 625 Door Closer



**CODE**  
SAB-DC625-COV

**DETAILS**  
Push-on cover

**FINISH**  
SIL - Silver

## Cover - 732, 835 Door Closer



**CODE**  
SAB-DC835-COV

**DETAILS**  
Push-on cover

**FINISH**  
SSS - Satin Stainless Steel  
PSS - Polished Stainless Steel

## Cover - 770 Door Closer



**CODE**  
SAB-DC770-COV

**DETAILS**  
Push-on cover

**FINISH**  
SSS - Satin Stainless Steel  
PSS - Polished Stainless Steel

## Cover - 836 Door Closer



**CODE**  
SAB-DC836-COV

**DETAILS**  
Push-on cover

**FINISH**  
SSS - Satin Stainless Steel  
PSS - Polished Stainless Steel

## Hold Open Arm



**CODE**  
SAB-DCHOA

**DETAILS**  
\*Adjustable position  
and holding strength

**FINISH**  
SIL - Silver  
BLK - Black

\*Max holding position 140° in standard pull side application  
Max holding position 120° in parallel arm application

[www.sabre.com.au](http://www.sabre.com.au)

## Track Arm



**CODE**  
SAB-DCTAHO

**DETAILS**  
Suitable with the  
following door  
closers:  
625, 732, 770, 835, 836

**FINISH**  
SIL - Silver  
SSS - Satin Stainless Steel  
PSS - Polished Stainless Steel  
BLK - Black

# SURFACE MOUNTED DOOR CLOSER ACCESSORIES

Standard Parallel Arm Bracket



**CODE**  
SAB-DC770-PA

**FINISH**  
SIL - Silver

**DETAILS**  
Suitable with the following door closers:  
625, 732, 770, 835, 836

Drop Down Parallel Arm Bracket



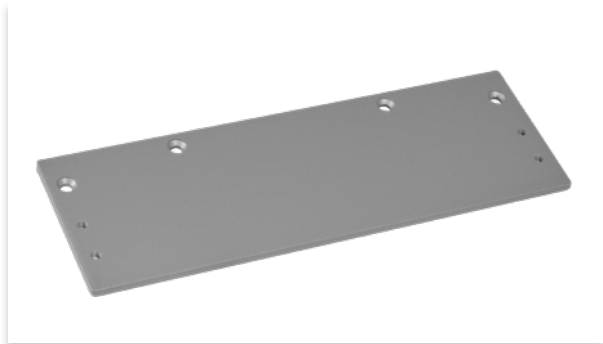
**CODE**  
SAB-DC915-PA

**FINISH**  
SIL - Silver

**DETAILS**

- Suitable with the following door closers:  
625, 732, 770, 835, 836
- 28mm drop down

Drop Plate - 625

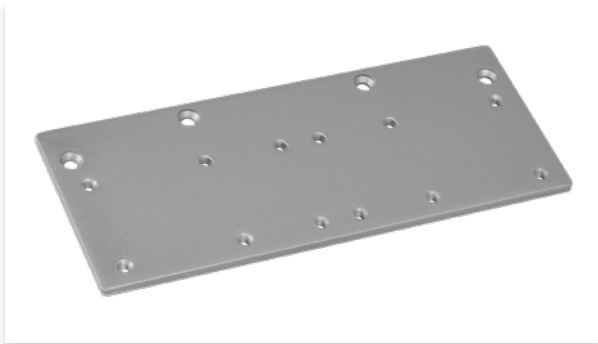


**CODE**  
SAB-DC625-DP

**FINISH**  
SIL - Silver

**DETAILS**  
Suitable for 625 closer

Drop Plate - 732

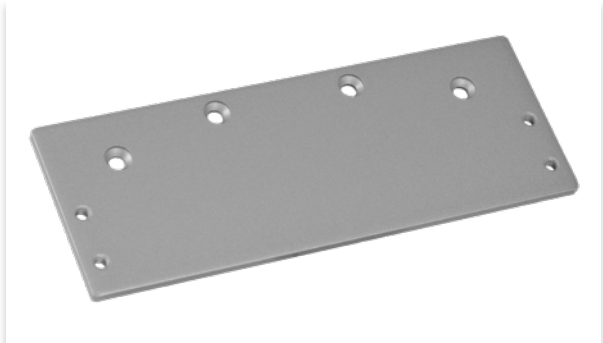


**CODE**  
SAB-DC732-DP

**FINISH**  
SIL - Silver

**DETAILS**  
Suitable for 732 closer

Drop Plate - 770

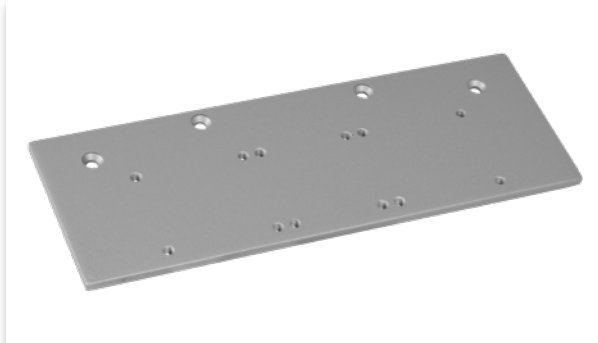


**CODE**  
SAB-DC770-DP

**FINISH**  
SIL - Silver

**DETAILS**  
Suitable for 770 closer

Drop Plate - 835



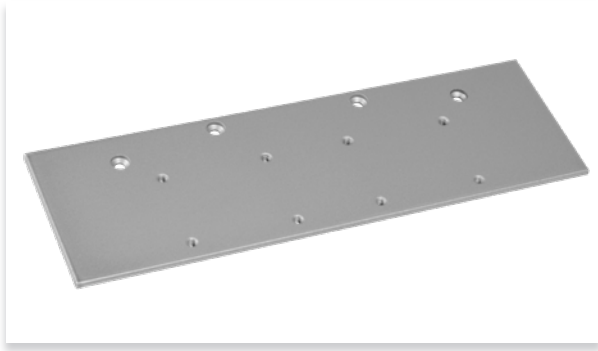
**CODE**  
SAB-DC835-DP

**FINISH**  
SIL - Silver

**DETAILS**  
Suitable for 835 closer

# SURFACE MOUNTED DOOR CLOSER ACCESSORIES

## Drop Plate - 836



### CODE

SAB-DC836-DP

### DETAILS

Suitable for 836 closer

### FINISH

SIL - Silver

## SURFACE MOUNTED DOOR CLOSER PARTS

### CODE

### DESCRIPTION

SAB-DCSP-730-FS	Fixing screws for 732, 835, 836 closers
SAB-DCSP-730-FSTA	Fixing screws for track arm
SAB-DCSP-730-PAS	Screw pack parallel arm bracket
SAB-DCSP-730-SA-SIL	Standard arm for 732, 835, 836 closers
SAB-DCSP-730-SC-SIL	Spindle cap for 732, 835, 836 closers
SAB-DCSP-732SCOV	Slide cover for 732 closer
SAB-DCSP-770-FS	Fixing screws for 770, 625 closers
SAB-DCSP-770-SA-SIL	Standard arm for 770, 625 closers
SAB-DCSP-770-SC-SIL	Spindle cap for 770, 625 closers
SAB-DCSP-835SCOV-SIL	Slide cover for 835 closer
SAB-DCSP-836SCOV-SIL	Slide cover for 836 closer

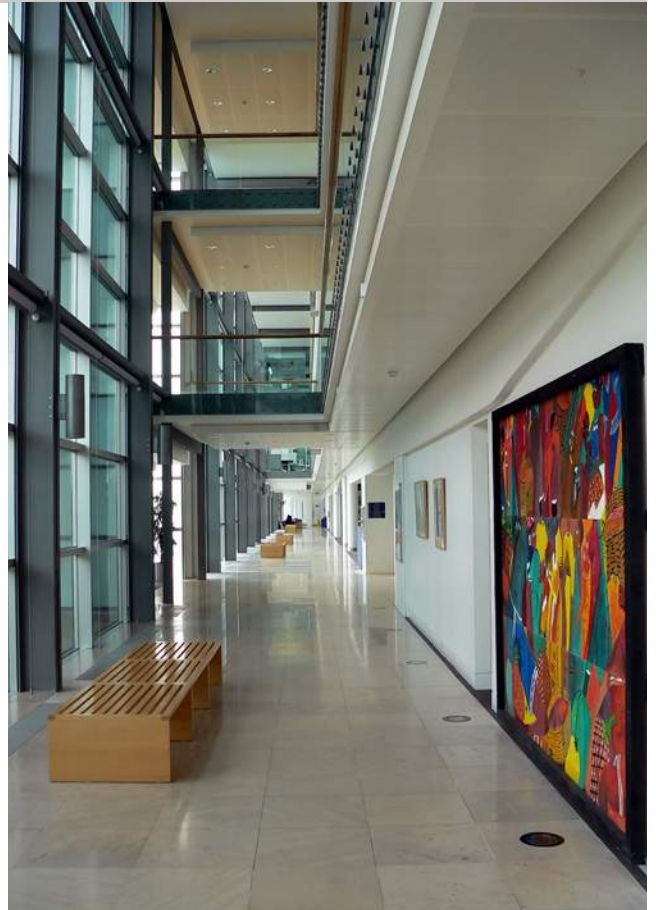
# 850 TRANSOM CLOSER

## SUITABLE FOR ALUMINIUM DOORS

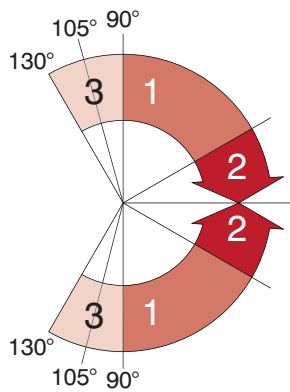
The Sabre 850 Series Transom Closers are used when concealment of the closer is required or when the door is required to operate in both inward and outward directions under control. Transom Closers are ideally suited for pivoting internal or external doors that are found on school, office and commercial buildings. All Sabre 850 Series Transom Closers are manufactured from premium quality cast iron and heat treated internal components that will provide many years of continuous operation.

- Available in fixed strength sizes 3 or 4
- All available in non hold open, 90° and 105° hold open
- Suitable for single and double action doors
- Suits for door widths up to 1100mm
- Door weight up to 100kg
- Minimum door thickness 38mm
- Adjustable latching and closing speeds
- Universal adjustable bottom pivot

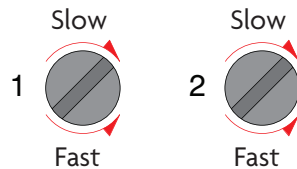
**Note:** Although suitable for aluminium doors, the 850 Transom Closer can be installed on timber frames. However, no cover is available.



### 850 Transom Closer

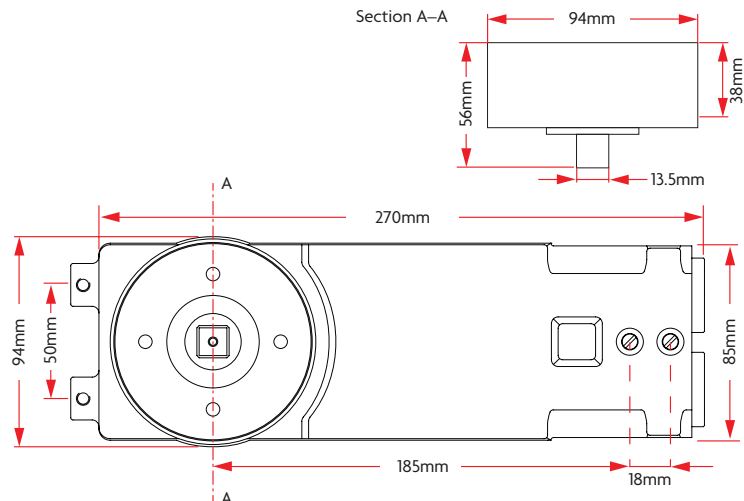


#### CLOSING SPEED ADJUSTMENT



#### DOOR SWING

1. Closing Range
2. Latching Range
3. 90° and 105° Hold Open (optional)



# TRANSOM CLOSER

## 850 Transom Closer - Non Hold Open



### CODE

SAB-TC853-NHO  
SAB-TC854-NHO

### DETAILS

#### Size 3

- Door weight up to 100kg
- Up to 950mm wide door
- Closing torque 19Nm

#### Size 4

- Door weight up to 100kg
- Up to 1100mm wide door
- Closing torque 25Nm

## 850 Transom Closer - Hold Open 90°



### CODE

SAB-TC853-90HO  
SAB-TC854-90HO

### DETAILS

#### Size 3

- Door weight up to 100kg
- Up to 950mm wide door
- Closing torque 19Nm

#### Size 4

- Door weight up to 100kg
- Up to 1100mm wide door
- Closing torque 25Nm

## 850 Transom Closer - Hold Open 105°



### CODE

SAB-TC853-105HO  
SAB-TC854-105HO

### DETAILS

#### Size 3

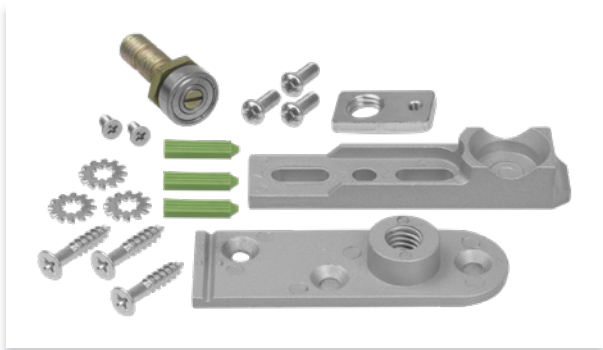
- Door weight up to 100kg
- Up to 950mm wide door
- Closing torque 19Nm

#### Size 4

- Door weight up to 100kg
- Up to 1100mm wide door
- Closing torque 25Nm

# TRANSOM CLOSER ACCESSORIES

Bottom Pivot Pack

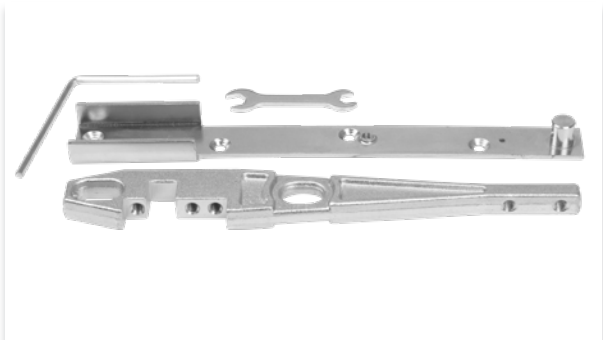


**CODE**  
SAB-TCSP-850-BP

**DETAILS**

- Height adjustable bottom pivot
- Can be suitable for various brands. Check manufacturers specifications.

Side Load Arm Pack



**CODE**  
SAB-TCSP-850-SLA

**DETAILS**  
Can be suitable for various brands. Check manufacturers specifications.

Closer Body Mounting Kit



**CODE**  
SAB-TCSP-850-CM

**DETAILS**  
Can be suitable for various brands. Check manufacturers specifications.

Spindle Install Kit



**CODE**  
SAB-TCSP-850-SI

**DETAILS**  
Can be suitable for various brands. Check manufacturers specifications.



# 750 FLOOR SPRING

## SUITABLE FOR TIMBER, METAL AND GLASS DOORS

The Sabre 750 Adjustable Strength Floor Spring is designed for high traffic doors that require double or single action operation. The product is installed below the floor level therefore providing an opening clear from obstructions.

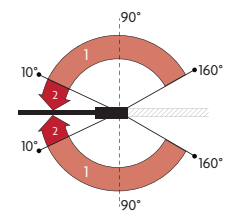
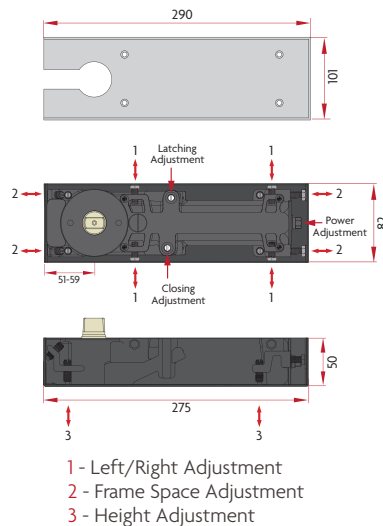
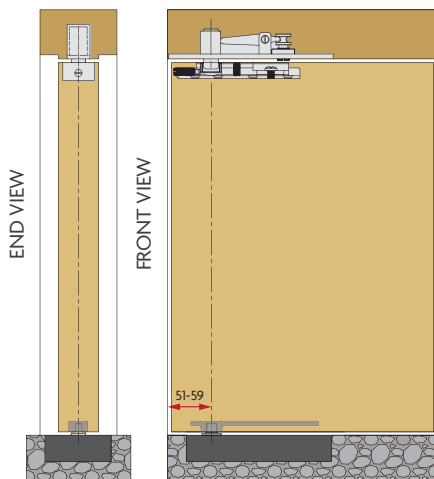
The 750 comes complete with a stainless steel cover plate to conceal the floor spring body and has optional spindle heights that can be used for varying door clearances that may be required. It has a robust design and has easy adjustment features to suit applications for doors up to a maximum 200kgs in weight and 1100mm in width. The 750 includes a highly efficient cam action mechanism, making it easier for the user to open the door, whilst maintaining strength to also close the door.

Note: Top Pivots are not supplied as standard with the 750. Ask your architectural hardware representative for the best pivoting option to suit your door application. Sabre recommends the use of sealing compounds when installed in external and wet area applications..

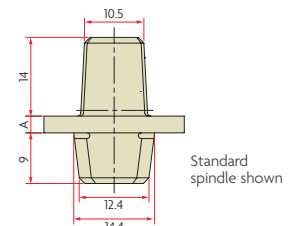
- Suitable for single or double action doors
- Adjustable spring strength size 1 to 4
- Adjustable latching and closing speeds
- Maximum 160° opening angle
- Functions available as 90° hold open or non hold open
- Suitable for door widths up to 1100mm
- Maximum door weight 200kg



### 750 Floor Spring



**DOOR SWING**  
 1. Closing Range 160° – 10°  
 2. Latching Range 10° – 0°  
 90° Hold Open (optional)

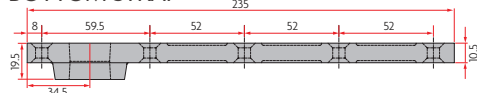


#### EXTENDED SPINDLE SIZE TABLE

Spindle Size	0mm (Std)	5mm	10mm	15mm	20mm	25mm	30mm	35mm	40mm	50mm
Dimension "A"	3mm	8mm	13mm	18mm	23mm	28mm	33mm	38mm	43mm	53mm
Est. Door Clearance	5mm	10mm	15mm	20mm	25mm	30mm	35mm	40mm	45mm	55mm

(Estimated door clearance is based on using the standard bottom strap supplied with product)

#### BOTTOM STRAP



#### PRODUCT INCLUSIONS

- Stainless Steel Cover Plate
- Mounting Box
- Bottom Strap
- Standard Height Spindle

#### ACCESSORIES

Extended spindles are sold separately ranging in sizes from 5mm to 50mm

# 750 FLOOR SPRING

## Non Hold Open



**CODE**

SAB-FS750-NHO

**FINISH**

SSS - Satin Satinless Steel

**DETAILS**

- Size 1 to 4 adjustable
- Maximum door weight 200kg
- Up to 1100mm wide door
- Interchangeable standard spindle included (5mm door clearance)

## Hold Open 90°



**CODE**

SAB-FS750-90HO

**FINISH**

SSS - Satin Satinless Steel

**DETAILS**

- Size 1 to 4 adjustable
- Maximum door weight 200kg
- Up to 1100mm wide door
- Interchangeable standard spindle included (5mm door clearance)

# 950 FLOOR SPRING

## SUITABLE FOR TIMBER, METAL AND GLASS DOORS

The Sabre 950 Adjustable Strength Floor Spring is designed to handle heavy doors with a maximum weight capacity of 300kgs. The 950 can be used for controlling single and double action doors up to 1450mm wide.

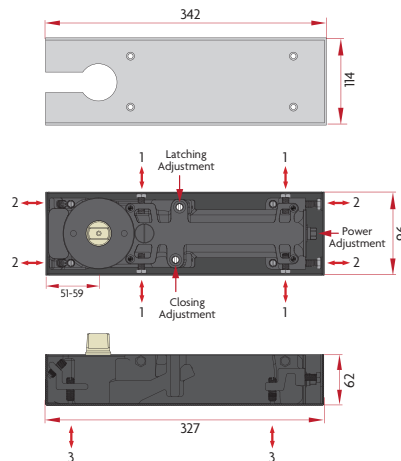
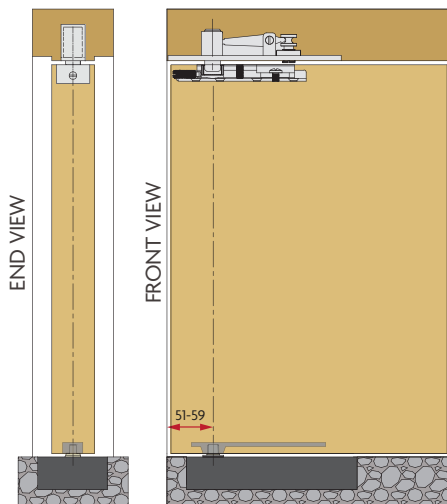
The 950 comes complete with a stainless steel cover plate to conceal the floor spring body and has optional spindle heights that can be used for varying door clearances that may be required. It has a robust design and has easy adjustment features. The 950 includes a highly effective cam action mechanism, making it easier for the user to open the door, whilst maintaining strength to also close the door.

**Note:** Top Pivots are not supplied as standard with the 950. Ask your architectural hardware representative for the best pivoting option to suit your door application. Sabre recommends the use of sealing compounds when installed in external and wet area applications.

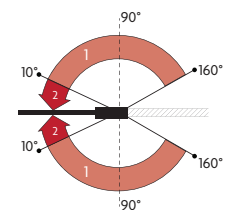
- Suitable for single or double action doors
- Fixed spring strength size 4 to 6
- Adjustable latching and closing speeds
- Maximum 160° opening angle
- Functions available as 90° hold open or non hold open
- Suitable for door widths up to 1450mm
- Maximum door weight 300kg



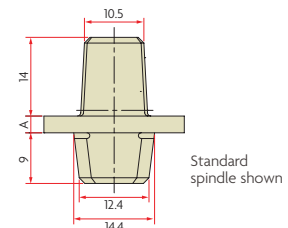
### 950 Floor Spring



- 1 - Left/Right Adjustment
- 2 - Frame Space Adjustment
- 3 - Height Adjustment



**DOOR SWING**  
 1. Closing Range 160° – 10°  
 2. Latching Range 10° – 0°  
 90° Hold Open (optional)

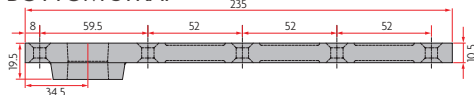


#### EXTENDED SPINDLE SIZE TABLE

Spindle Size	0mm (Std)	5mm	10mm	15mm	20mm	25mm	30mm	35mm	40mm	50mm
Dimension "A"	3mm	8mm	13mm	18mm	23mm	28mm	33mm	38mm	43mm	53mm
Est. Door Clearance	5mm	10mm	15mm	20mm	25mm	30mm	35mm	40mm	45mm	55mm

(Estimated door clearance is based on using the standard bottom strap supplied with product)

#### BOTTOM STRAP



#### PRODUCT INCLUSIONS

- Stainless Steel Cover Plate
- Mounting Box
- Bottom Strap
- Standard Height Spindle

#### ACCESSORIES

Extended spindles are sold separately ranging in sizes from 5mm to 50mm

# 950 FLOOR SPRING

## Non Hold Open



**CODE**

SAB-FS950-NHO

**FINISH**

SSS - Satin Satinless Steel

**DETAILS**

- Size 4 to 6 adjustable
- Maximum door weight 300kg
- Up to 1450mm wide door
- Interchangeable standard spindle included (5mm door clearance)

## Hold Open 90°



**CODE**

SAB-FS950-90HO

**FINISH**

SSS - Satin Satinless Steel

**DETAILS**

- Size 4 to 6 adjustable
- Maximum door weight 300kg
- Up to 1450mm wide door
- Interchangeable standard spindle included (5mm door clearance)

# 893 BOTTOM RAIL CONCEALED DOOR CLOSER

## SUITABLE FOR TIMBER DOORS

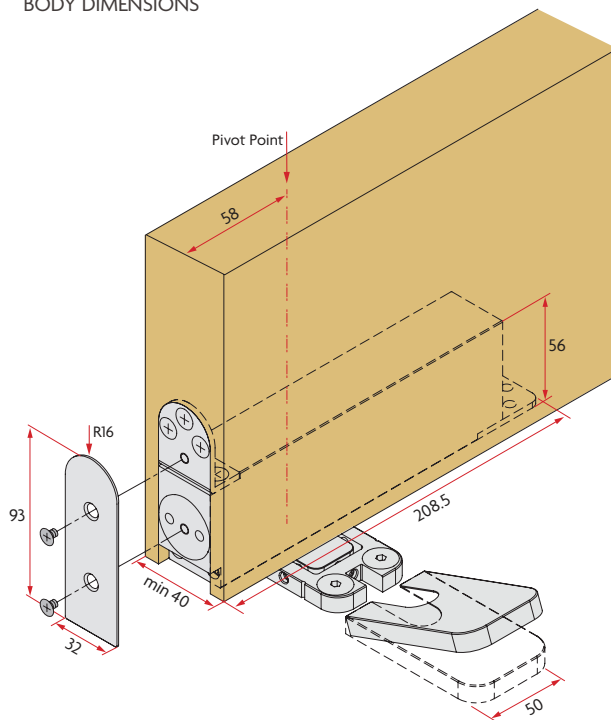
The Sabre 893 Bottom Rail Concealed Door Closer includes the same world-wide patented technology as its glass door equivalent, the 8835 Glass Patch Door Closer. It has the same highly efficient hydraulic mechanism which makes it easy to open with the minimum of effort. Visually it's perfect as it is completely concealed within the door itself. Due to it possessing a hydraulic mechanism it can be controlled just like other hydraulic closers so you can easily adjust the latching and closer speeds without the need to remove from the door once installed. It also has the benefit of an adjustable base plate to help align the door if it is slightly out during installation. It is simple to maintain and keep clean and suitable for high traffic doors like kitchens or for any timber door application that requires double action opening. Note: Top Pivot not supplied with product.

- Suitable for single or double action timber doors
- Fixed spring strength size 3
- Adjustable latching and closing speeds
- Maximum 150° opening angle
- Functions available as 90° hold open or non hold open
- Suitable for door widths up to 950mm
- Maximum door weight 100kg
- Minimum door thickness 40mm
- Easy installation compared to using labour intensive floor spring
- Adjustable door alignment



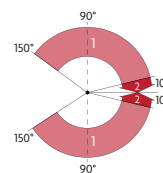
## 893 Bottom Rail Concealed Door Closer

### BODY DIMENSIONS

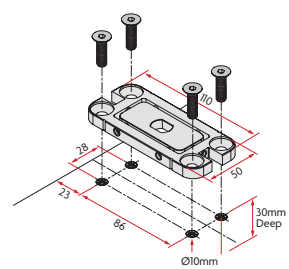


### DOOR SWING

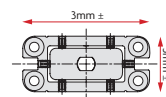
1. Closing Range 150° – 10°
  2. Latching Range 10° – 0°
- 90° Hold Open (optional)



### BASE PLATE INSTALLATION

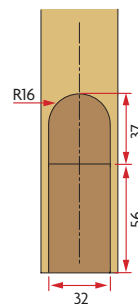


### BASE PLATE DOOR ALIGNMENT

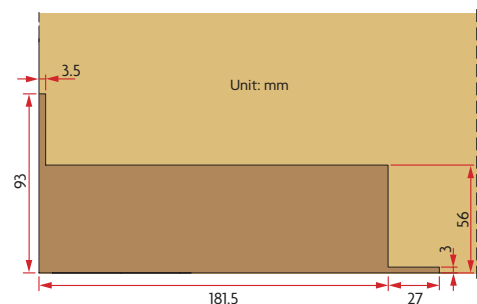


### DOOR PREP

#### END VIEW



#### SIDE VIEW



# BOTTOM RAIL CONCEALED DOOR CLOSER

Non Hold Open



**CODE**  
SAB-BR893-NHO

**FINISH**  
SSS - Satin Satinless Steel

- DETAILS**
- Size 3 fixed
  - Door weight up to 100kg
  - Up to 950mm wide doors
  - Minimum door thickness 40mm
  - Non handed

Hold Open 90°



**CODE**  
SAB-BR893-90HO

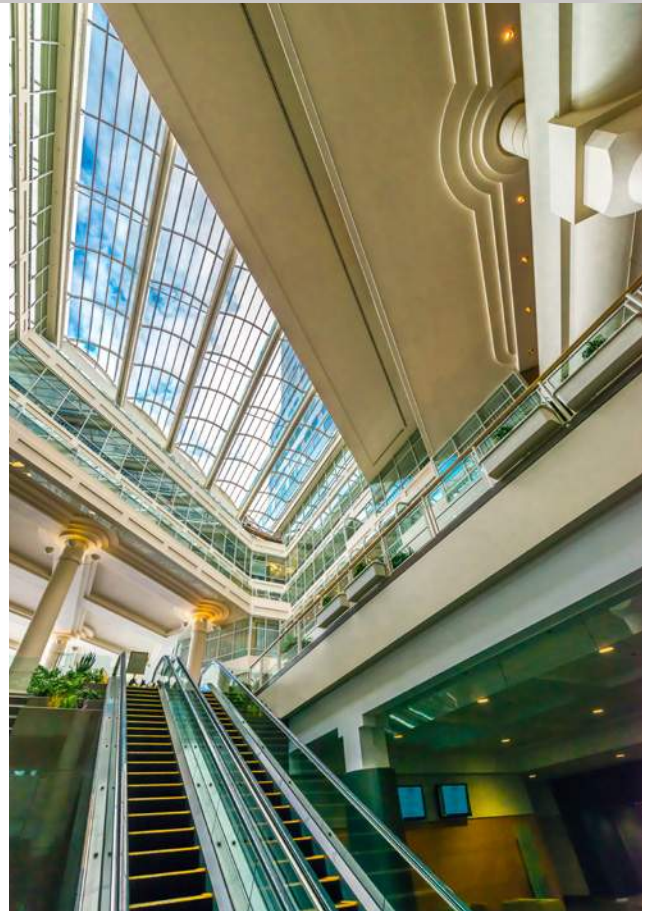
**FINISH**  
SSS - Satin Satinless Steel

- DETAILS**
- Size 3 fixed
  - Door weight up to 100kg
  - Up to 950mm wide doors
  - Minimum door thickness 40mm
  - Non handed

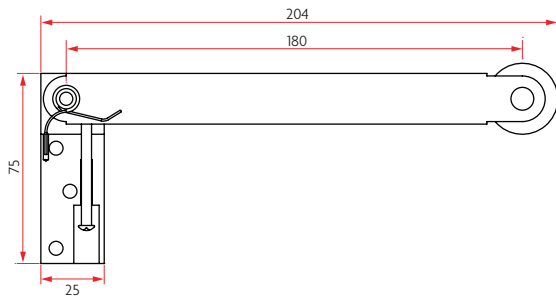
# SEQUENCE SELECTORS

Sabre Sequence Selectors are used when the closing sequence of a pair of double doors is required. Pairs of doors that are rebated or when a sealing system has been specified will need a sequencing device to close the doors in the correct order. The Sabre Sequence Selector range has been developed to outperform any other selector of its type. Engineered with quality bearings for both the arm and roller. The Sabre Sequence Selector range has been developed to outperform any other selector of its type. Engineered with quality bearings for both the arm and roller. The silicone roller travels silently along the roller plate when the door closes. For most other brands these extras are not included and all major parts are made from quality Stainless Steel.

- Non handed
- Surface mounted installation
- Used on pairs of doors from 1800mm to 2400 in width
- SS305 model used on pairs of doors greater than 2400mm in width or if used with exit devices
- Silicon roller for silent operation
- Bearing pivot arm to reduce arm failure



## 180 Sequence Selector



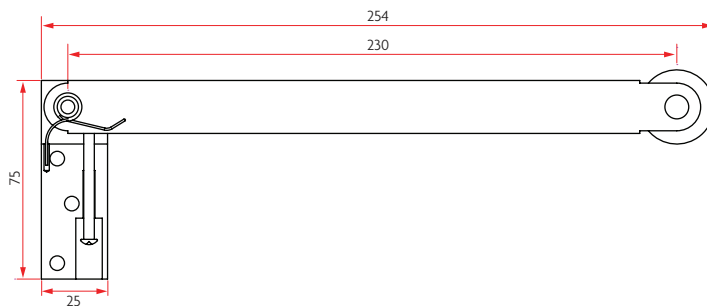
**CODE**  
SAB-SS180

**FINISH**  
SSS - Satin Stainless Steel

**DETAILS**  
Used on pairs of doors up to 1800mm in width

# SEQUENCE SELECTORS

## 230 Sequence Selector



**CODE**

SAB-SS230

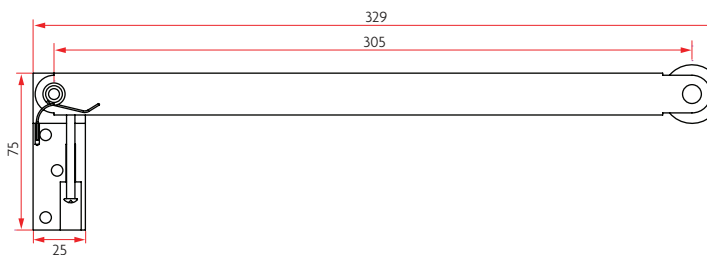
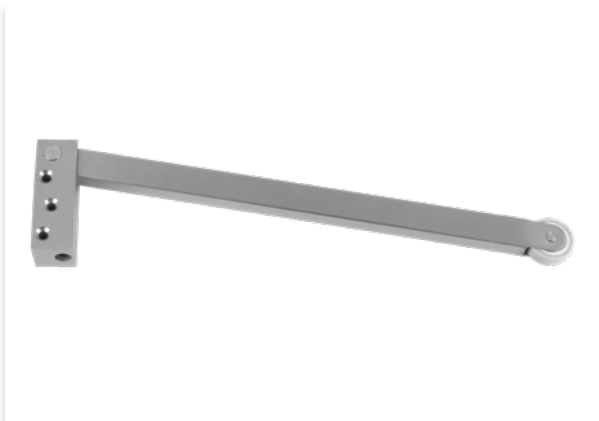
**FINISH**

SSS - Satin Satinless Steel

**DETAILS**

Used on pairs of doors up to 2400mm in width

## 305 Sequence Selector



**CODE**

SAB-SS305

**FINISH**

SSS - Satin Satinless Steel

**DETAILS**

Used on pairs of doors greater than 2400mm in width or if used with exit devices





