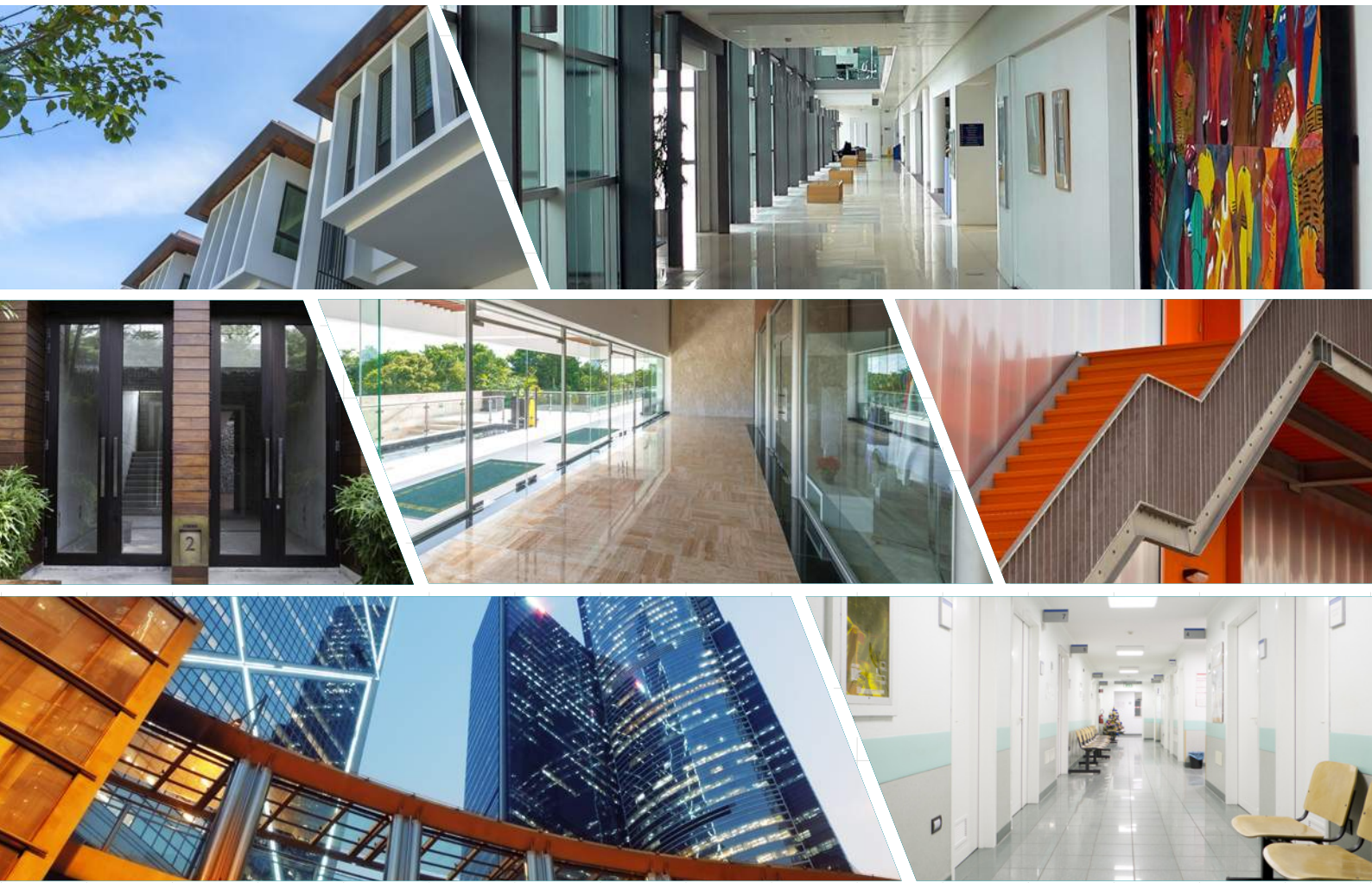


Locks and Locksets



SABRE
ARCHITECTURAL

SABRE

ARCHITECTURAL

As a brand, Sabre Hardware has been a part of the architectural construction supply landscape for over 40 years. Originally launched by Specialty Hardware in Sydney, Sabre became part of the family-owned Access Hardware Group in 2010, facilitating more product investment and development to meet changing market demands.

Our strategic partnerships with manufacturers in the United States, China, Taiwan and Australia have been a cornerstone of our ability to meet customer needs. We will continue to invest in these partnerships to deliver on our mission statement; to always strive to offer quality hardware solutions at the right price. Before a product is branded Sabre, it is rigorously tested to ensure it meets market expectations.

The Sabre product range covers common product categories such as door controls, locksets, entrance handles, general hardware and commercial washroom equipment. Sabre branded products are dispatched daily to all states and territories around Australia.



1-4 Adjustable Spring Strength



4-6 Adjustable Spring Strength



2-4 Position Spring Strength



90° Hold Open



2-5 Adjustable Spring Strength



105° Hold Open



3 Fixed Strength



Back Check



3-5 Adjustable Spring Strength



Delayed Action



3-6 Adjustable Spring Strength



Parallel Arm Bracket



4 Fixed Strength



Made in the USA



10 Year Mechanical Warranty



Made from 304 Stainless Steel



5 Year Mechanical Warranty



AS1428.1 Compliant



Fire Rated Fire rated

Locks and Locksets

300 Series Cylindrical Knob Locksets

400 Series Cylindrical Lever Locksets

500 Series Cylindrical Lever Locksets

300, 400, 500 Series Accessories

Rim Night Latch

Narrow Style Deadlocks

Narrow Style Deadlock Accessories

Lock Cylinders

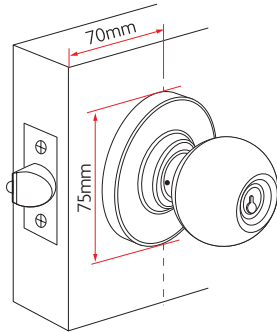
Lock Cylinder Parts

Strike Plates

300 SERIES CYLINDRICAL KNOB LOCKSETS

The 300 Series Cylindrical Locksets are manufactured from high quality materials. The classic ball shaped knob offers easy operation at an economical price point. Easy to install, you can't find a more reliable security option for your building or home.

- 6 Pin C4 brass PD cylinder
- Rose diameter 75mm
- Heavy duty cylindrical chassis
- Stainless steel latch
- Standard 70mm backset
- Suits door thicknesses between 35–50mm
- Non handed
- 2 keys included
- Suitable for master keying and restricted systems
- 60mm backset latches sold separately
- Suits 54mm cross bore



Entrance Set



CODE
SAB-KK300-70

FINISH
SSS - Satin Stainless Steel

DETAILS
Outside: Operated by handle when unlocked. Key unlocks handle and retracts latch.
Inside: Push button locks outside handle. Inside handle always unlocks outside handle. Opened by handle at all times.

Privacy Set



CODE
SAB-KK301-70

FINISH
SSS - Satin Stainless Steel

DETAILS
Outside: Operated by handle when unlocked. Use of emergency slot unlocks handle.
Inside: Push button locks outside handle. Inside handle always unlocks outside handle. Inside knob is always unlocked providing emergency exit.

300 SERIES

Passage Set



CODE
SAB-KK302-70

FINISH
SSS - Satin Stainless Steel

DETAILS
Outside: Opened by handle at all times.
Inside: Opened by handle at all times.

Storeroom Set



CODE
SAB-KK303-70

FINISH
SSS - Satin Stainless Steel

DETAILS
Outside: Key retracts latch. Handle is always locked (rigid).
Inside: Opened by handle at all times.

Classroom Set



CODE
SAB-KK304-70

FINISH
SSS - Satin Stainless Steel

DETAILS
Outside: Operated by handle when unlocked. Key locks or unlocks handle.
Inside: Opened by handle at all times.

Institutional Set



CODE
SAB-KK305-70

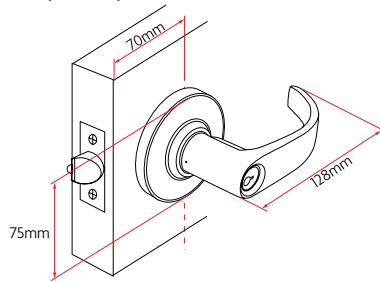
FINISH
SSS - Satin Stainless Steel

DETAILS
Outside: Key retracts latch. Handle is always locked (rigid).
Inside: Key retracts latch. Handle is always locked (rigid).

400 SERIES CYLINDRICAL LEVER LOCKSETS

The 400 Series Cylindrical Lever Locksets are manufactured to semi-commercial standards. Its design purpose is for use in apartment complexes or office fit-outs. Its unique spring rose mechanism aids in providing effortless smooth operation.

- 6 Pin C4 brass PD cylinder
- Rose diameter 75mm
- Heavy duty cylindrical chassis
- Stainless steel latch
- Standard 70mm backset
- Suits door thicknesses between 35–50mm
- Non handed
- 2 keys included
- Suitable for master keying and restricted systems
- 60mm backset latches sold separately
- Suits 54mm cross bore



Entrance Set



CODE

SAB-LL400-70

FINISH

SC - Satin Chrome

DETAILS

Outside: Operated by handle when unlocked. Key unlocks handle and retracts latch.

Inside: Push button locks outside handle. Inside handle always unlocks outside handle. Opened by handle at all times.

Privacy Set



CODE

SAB-LL401-70

FINISH

SC - Satin Chrome

DETAILS

Outside: Operated by handle when unlocked. Use of emergency slot unlocks handle.

Inside: Push button locks outside handle. Inside handle always unlocks outside handle. Inside lever is always unlocked providing emergency exit.

400 SERIES

Passage Set



CODE
SAB-LL402-70

FINISH
SC - Satin Chrome

DETAILS
Outside: Opened by handle at all times.
Inside: Opened by handle at all times.

Storeroom Set



CODE
SAB-LL403-70

FINISH
SC - Satin Chrome

DETAILS
Outside: Key retracts latch. Handle is always locked (rigid).
Inside: Opened by handle at all times.

Classroom Set



CODE
SAB-LL404-70

FINISH
SC - Satin Chrome

DETAILS
Outside: Operated by handle when unlocked. Key locks or unlocks handle.
Inside: Opened by handle at all times.

Storeroom Set



CODE
SAB-KL410-70

FINISH
SC - Satin Chrome

DETAILS
Outside: Key retracts latch. Handle is always locked (rigid).
Inside: Opened by handle at all times.

500 SERIES CYLINDRICAL LEVER LOCKSETS

The 500 Series Cylindrical Lever Locksets are built to last. Industrial strength, the 500 Series Locksets are ideal for those high traffic areas.

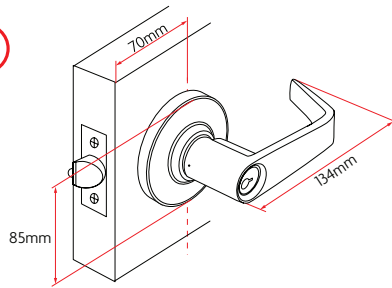
- 6 Pin C4 brass PD cylinder
- Rose diameter 85mm
- Heavy duty cylindrical chassis
- Stainless steel latch
- Standard 70mm backset
- Suits door thicknesses between 35–45mm
- Non handed
- 2 keys included
- Suitable for master keying and restricted systems
- 60mm backset latches sold seperately
- Suits 54mm cross bore



HEAVY DUTY



Fire Rated



Entrance Set



CODE

SAB-LL500-70

FINISH

SC - Satin Chrome

DETAILS

Outside: Operated by handle when unlocked. Key unlocks handle and retracts latch.

Inside: Push button locks outside handle. Inside handle always unlocks outside handle. Opened by handle at all times.

Privacy Set



CODE

SAB-LL501-70

FINISH

SC - Satin Chrome

DETAILS

Outside: Operated by handle when unlocked. Use of emergency slot unlocks handle.

Inside: Push button locks outside handle. Inside handle always unlocks outside handle. Inside lever is always unlocked providing emergency exit.

500 SERIES

Passage Set



CODE
SAB-LL502-70

FINISH
SC - Satin Chrome

DETAILS
Outside: Opened by handle at all times.
Inside: Opened by handle at all times.

Storeroom Set

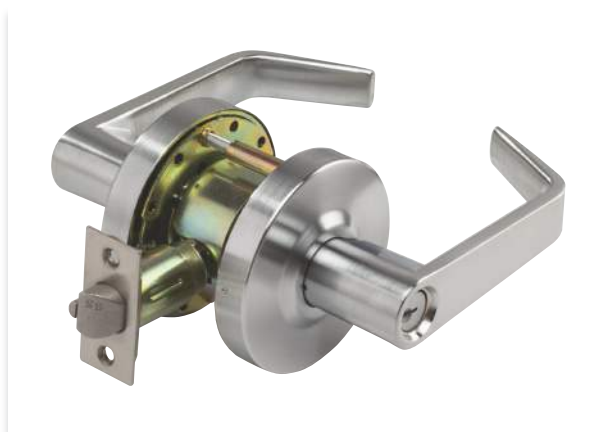


CODE
SAB-LL503-70

FINISH
SC - Satin Chrome

DETAILS
Outside: Key retracts latch. Handle is always locked (rigid).
Inside: Opened by handle at all times.

Classroom Set



CODE
SAB-LL504-70

FINISH
SC - Satin Chrome

DETAILS
Outside: Operated by handle when unlocked. Key locks or unlocks handle.
Inside: Opened by handle at all times.

Institutional Set



CODE
SAB-LL505-70

FINISH
SC - Satin Chrome

DETAILS
Outside: Key retracts latch. Handle is always locked (rigid).
Inside: Key retracts latch. Handle is always locked (rigid).

500 SERIES

Exit Set



CODE
SAB-L506-70

FINISH
SC - Satin Chrome

DETAILS
Outside: Blank Rose.
Inside: Opened by handle at all times.

Storeroom Set



CODE
SAB-KL510-70

FINISH
SC - Satin Chrome

DETAILS
Outside: Key retracts latch. Handle is always locked (rigid).
Inside: Opened by handle at all times.

300, 400 AND 500 SERIES ACCESSORIES

Deadlatch



CODE

SAB-CL60-DL
SAB-CL70-DL

FINISH

SSS - Satin Stainless Steel

DESCRIPTION

60mm Backset
70mm Backset

Plainlatch



CODE

SAB-CL60-PL
SAB-CL70-PL

FINISH

SSS - Satin Stainless Steel

DESCRIPTION

60mm Backset
70mm Backset

'T' Strike Plate



CODE

SAB-LLSP

FINISH

SSS - Satin Stainless Steel

DETAILS

'T' Strike Plate Suits
300, 400, 500 Series

Universal Tubular Rebate Kit



CODE

SAB-TRK

FINISH

SC - Satin Chrome

DETAILS

Suitable for most
brands of tubular and
cylindrical latches

300, 400 AND 500 SERIES PARTS

CODE

SAB-LL400-SP
SAB-LL500-SP

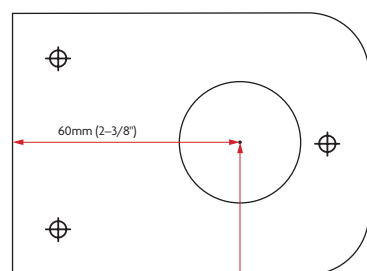
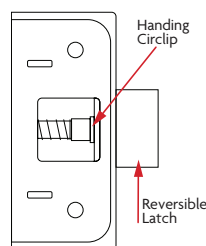
DETAILS

Screw pack for 300, 400 series
Screw pack for 500 series



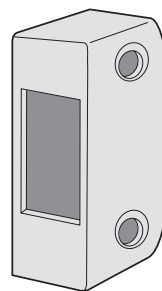
RIM NIGHT LATCH LESS CYLINDER

The Sabre 550 Rim Night Latch is a simple to install, budget rim night latch. This is a perfect option for locking electrical cupboards and small storage areas. It can be used with most brands of round night latch cylinders on the market and comes complete with both inward and outward opening strike plates. The lock case and latch bolt are made from 304 stainless steel and are approved for use on 2hr fire door assemblies. **Note:** Round cylinders are sold separately. We do however recommend installation with a genuine Sabre round cylinder.

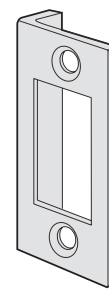


Mark for 32mm (1-1/4") hole

NL550 Rim Night Latch



Inward Opening
Strike Plate



Outward Opening
Strike Plate

CODE

SAB-NL550

FINISH

SSS - Satin Stainless Steel

DETAILS

- 304 stainless steel case
- Reversible latch (supplied as open out)
- 60mm backset
- Suitable for doors between 32mm and 50mm thick
- Includes standard open in and open out strike plates
- Fixings supplied
- Round cylinder sold separately

SHORT BACKSET SWING DEADLOCKS

SUITABLE FOR ALUMINIUM AND METAL DOORS

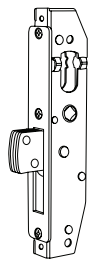
Sabre's range of Short Backset Swing Deadlocks are suited for both hinged and sliding door applications. These deadlocks are generally used in commercial and architectural glazed stiles where a standard timber lock cannot be installed.

The range consists of the 590 Series which is used for hinged doors and the 591 Series which is used for sliding doors. The 590 Series has 2 sized bolt projections 22mm and 36mm whilst the 591 Series has a 28mm hooked projection to cater for the latching strike. All bolts are made of case hardened laminated steel.

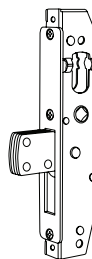
- Standard 23mm backset
- 'R' cam compatible
- Case hardened laminated bolt
- Doors up to 58mm in thickness
- Oval cylinder escutcheons included
- Suitable for master keying and restricted keying



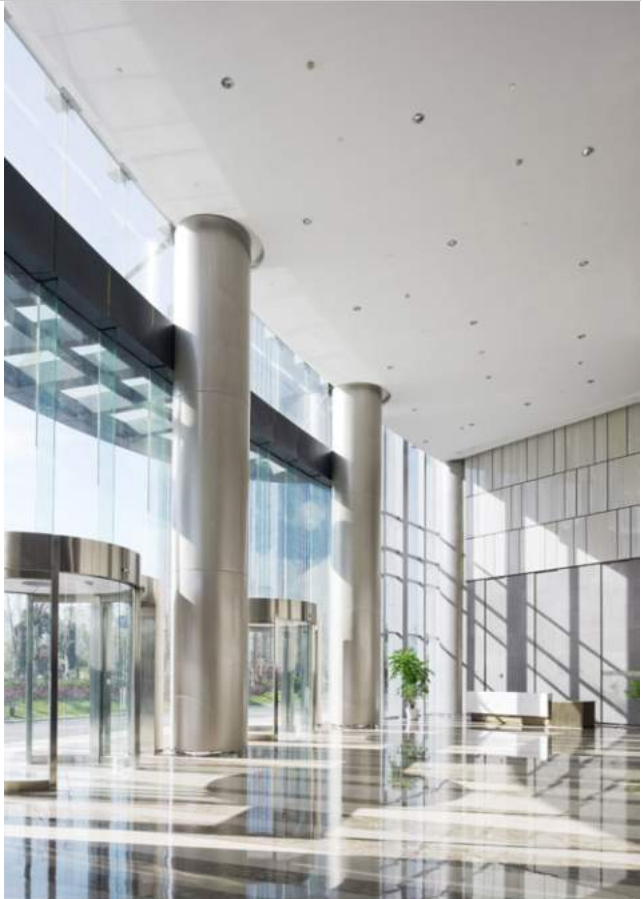
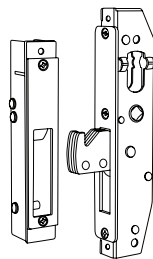
590S (22mm)



590L (36mm)



591 (28mm)



590S Deadlock Body Only



CODE
SAB-DL590S

FINISH
SC - Satin Chrome

DETAILS
Bolt projection 22mm

590L Deadlock Body Only



CODE
SAB-DL590L

FINISH
SC - Satin Chrome

DETAILS
Bolt projection 36mm

SHORT BACKSET SWING DEADLOCKS

591 Deadlock Body Only



CODE

SAB-DL591

FINISH

SC - Satin Chrome

DETAILS

- Sliding bolt projection 28mm
- Latching strike included

SHORT BACKSET SWING DEADLOCK ACCESSORIES

45° Escape Lever



CODE
SAB-DL590-LEVER

FINISH
SC - Satin Chrome

DETAILS
Use with 590/591
deadlocks to achieve
escape function

Trough Strike



CODE
SAB-TS
FINISH
SC - Satin Chrome

DETAILS
Used when lock is
installed in base of
door

Oval Cylinder with Turn



CODE
SAB-DL590-TURN

FINISH
SC - Satin Chrome

DETAILS

- 360° rotation with
detent indexing
- Supplied with an R
Cam

Oval Cylinder Escutcheon



CODE
SAB-CE590
FINISH
SC - Satin Chrome

DETAILS
Push-on oval cylinder
escutcheon

Oval Cylinder C4 6 Pin



CODE
SAB-CYL570-R

FINISH
SC - Satin Chrome

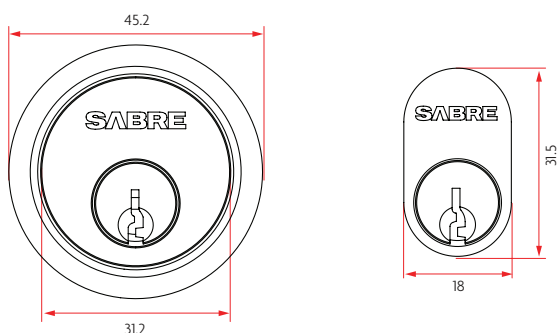
DETAILS

- 6 Pin, C4 brass cylinder
- Available in 9 keyed alike or
keyed to differ options
- Pre-drilled housings to suit
with extended cylinder
adaptors
- 2 keys supplied per cylinder

LOCK CYLINDERS

When it comes to securing a property with a mechanical keyed cylinder you can't ignore the quality of Sabre's lock cylinders. This range of precision engineered cylinders are made from quality materials ensuring low tolerances are achieved. This precise detailing ensures the security of the cylinder is maintained to the highest levels. All are compatible for use in numerous brands of locks and can be used with most inline restricted keying systems.

- Quality brass barrels and housing
- 6 Pin C4 as standard profile



Oval Cylinder C4 6 Pin



CODE
SAB-CYL570

FINISH
SC - Satin Chrome

- DETAILS**
- 6 Pin, C4 brass cylinder
 - Available in 9 keyed alike or keyed to differ options
 - Pre-drilled housings to suit with extended cylinder adaptors
 - 2 keys supplied per cylinder

Round Cylinder C4 6 Pin



CODE
SAB-CYL201

FINISH
SC - Satin Chrome

- DETAILS**
- 6 Pin, C4 brass cylinder
 - Available in 9 keyed alike or keyed to differ options
 - Included cylinder escutcheon and fixing accessory pack
 - 2 keys supplied per cylinder

LOCK CYLINDERS

003 Oval Cylinder



CODE
SAB-CYL570-003-X

FINISH
SC - Satin Chrome

- DETAILS**
- 5 wafer, LW3 brass oval cylinder
 - Keyed to 003 fire brigade system
 - 1 key supplied per cylinder

003 Round Cylinder



CODE
SAB-CYL201-003

FINISH
SC - Satin Chrome

- DETAILS**
- 5 wafer, LW3 brass round cylinder
 - Keyed to 003 fire brigade system
 - 1 key supplied per cylinder

Top Loaded Oval Housing

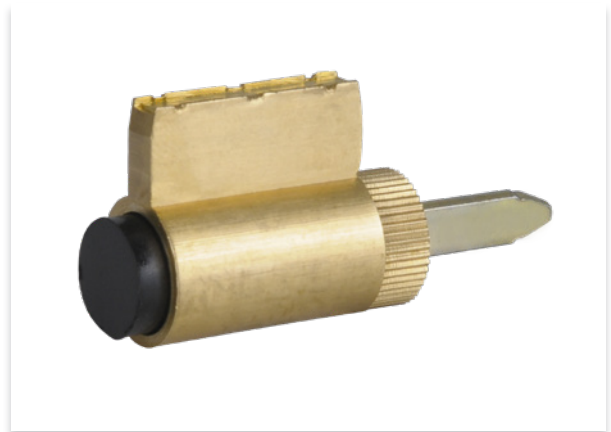


CODE
SAB-CYL570-TL

FINISH
SC - Satin Chrome
CP - Chrome Plate

- DETAILS**
- 6 pin brass oval housing
 - Pre-loaded with top pins and springs
 - Pre-drilled housing to suit with extended cylinder adaptors

Top Loaded PD Housing



CODE
SAB-CYL8221-TL

- DETAILS**
- 6 pin brass housing
 - Pre-loaded with top pins and springs
 - Includes retaining pin, spring, threaded cap and assorted tail pieces

LOCK CYLINDERS

Top Loaded Round Housing



CODE

SAB-CYL201-TL

FINISH

SC - Satin Chrome

DETAILS

- 6 pin brass housing
- Pre-loaded with top pins and springs
- Includes cylinder escutcheon and fixing accessory pack

Blank Oval Cylinder



CODE

SAB-CYL570-BC

FINISH

SC - Satin Chrome

DETAILS

The blank cylinder simply replaces the existing keyed cylinder therefore making the lock inoperable with a key.

Dual Entry Cylinder and Kit



CODE

SAB-CYL577-DE

FINISH

SC - Satin Chrome

DETAILS

Compatible with Lockwood 3572/3577 mortice locks.

LOCK CYLINDER PARTS

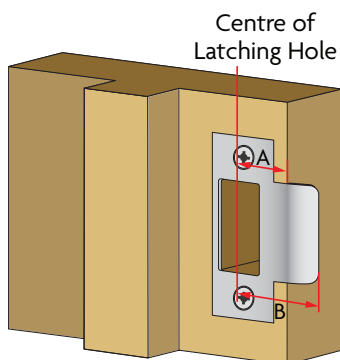
CODE	DESCRIPTION
SAB-CYLSP-570-CAMSCR	Cam Screw with Loctite (200)
SAB-CYL-CAM-LWOOD-W	Cylinder Cam L/Wood (100)
SAB-CYL-CAM-LWOOD-R	Cylinder Cam Lockwood (100)
SAB-CYL-CAM-LWOOD-X	Cylinder Cam Lockwood (100)
SAB-CYL-CAM-LWOOD-Y	Cylinder Cam Lockwood (100)
SAB-CYL-CAM-LWOOD-Z	Cylinder Cam Lockwood (100)

STRIKE PLATES

STANDARD AND EXTENDED

Often strike plates are misplaced or don't suit the frame detail required. Sabre has developed a range of standard and extended lipped strike plates to make it cost effective to replace or having a strike that may need to be custom made. The range includes standard lip sizes of 25.4mm and 32mm strike and extended lipped strikes ranging from 40mm up to 80mm in 10mm increments. All strikes are made from 1.5mm 304 stainless steel and come with 2 self-drilling fixing screws.

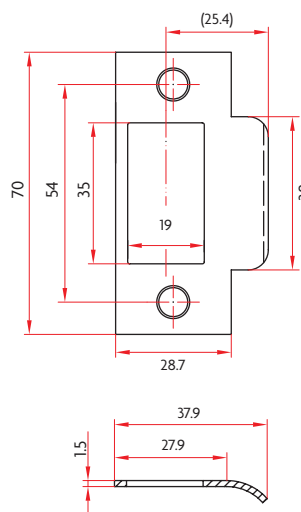
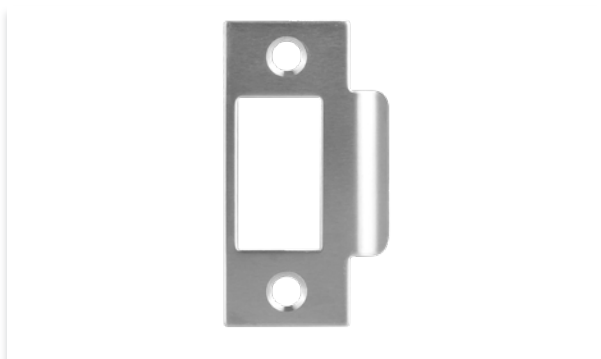
- Made from 1.5mm 304 stainless steel
- Standard 25.4mm and 32mm lipped strike plates
- Extended 40mm up to 80mm lipped strike plates
- Timber fixing screws supplied



(A) Door Edge	(B) Strike Lip
15.4	25.4
21.5	32
29.5	40
39.5	50
49.5	60
59.5	70
69.5	80



Strike Plate 25.4mm



CODE
SAB-SP25.4MM

FINISH
SSS - Satin Stainless Steel

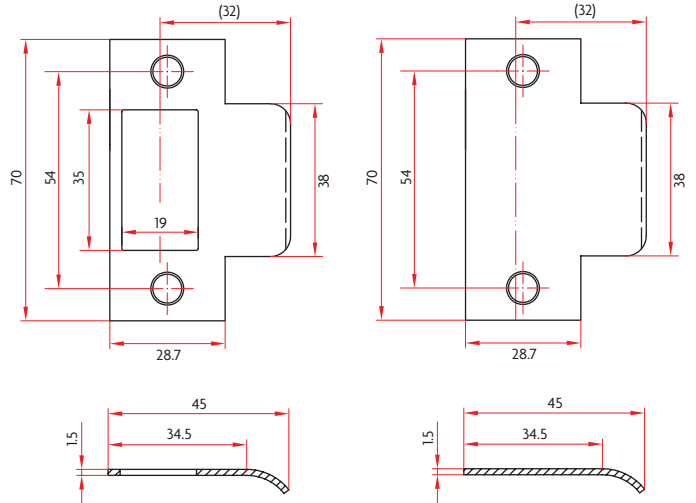
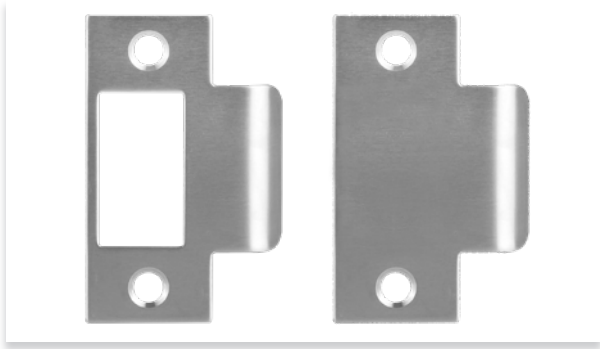
DETAILS

- Max frame depth 27.9mm

Fixings: 2x, 8gx20mm timber screws

STRIKE PLATES

Strike Plate 32mm



CODE

SAB-SP32MM
SAB-SP32MM-B (Blank)

DETAILS

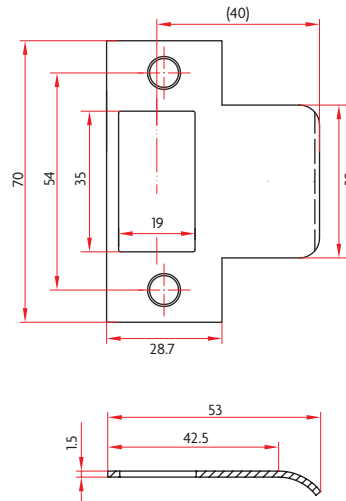
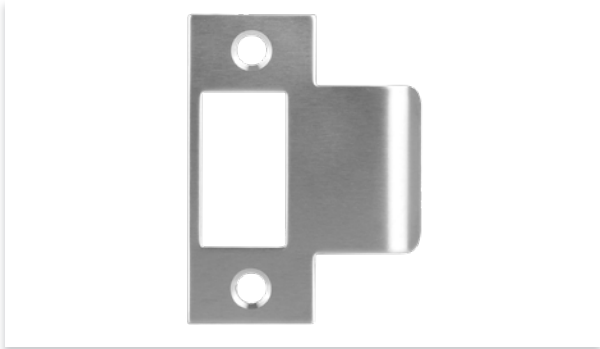
- Max frame depth 34.5mm

Fixings: 2x, 8gx20mm timber screws

FINISH

SSS - Satin Stainless Steel

Strike Plate 40mm



CODE

SAB-SP40MM

DETAILS

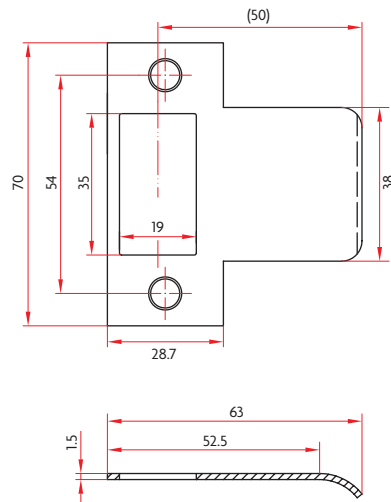
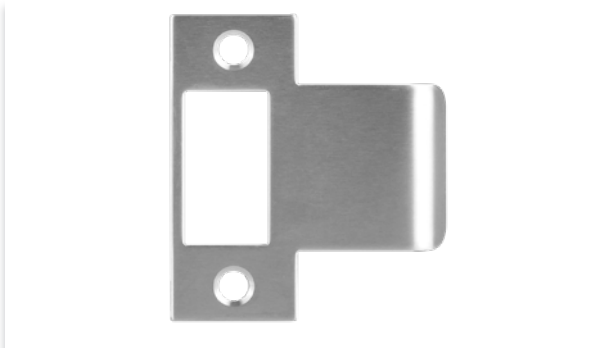
- Max frame depth 42.5mm

Fixings: 2x, 8gx20mm Timber Screws

FINISH

SSS - Satin Stainless Steel

Strike Plate 50mm



CODE

SAB-SP50MM

DETAILS

- Max frame depth 52.5mm

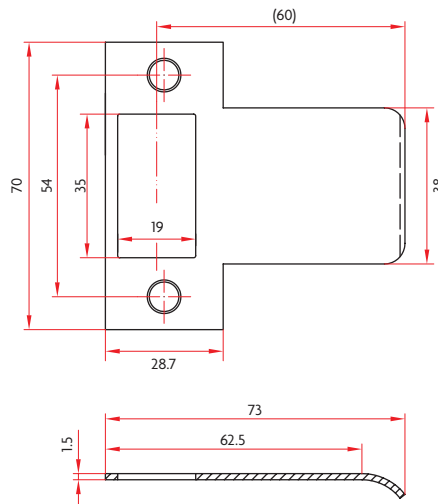
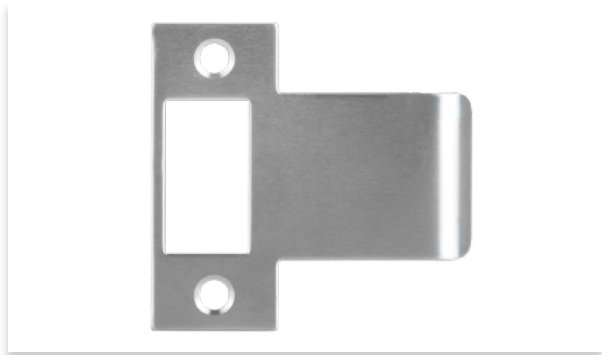
Fixings: 2x, 8gx20mm timber screws

FINISH

SSS - Satin Stainless Steel

STRIKE PLATES

Strike Plate 60mm



CODE

SAB-SP60MM

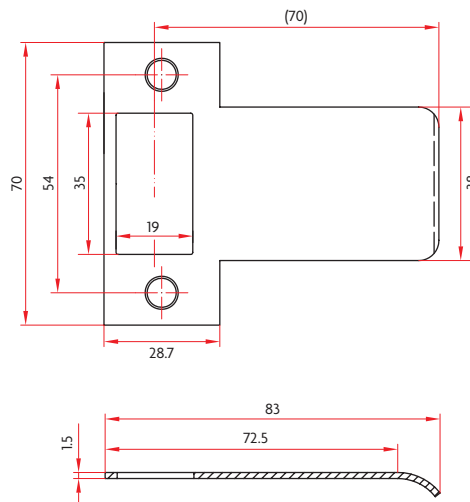
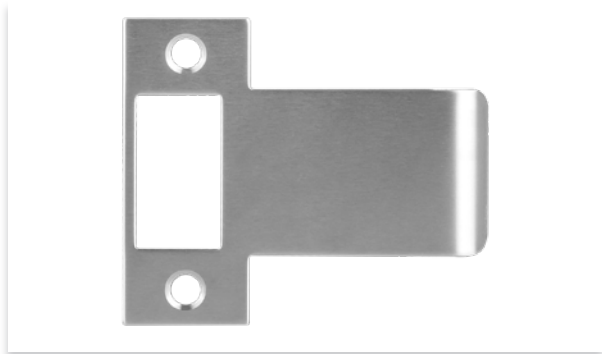
DETAILS

- Max frame depth 62.5mm
- Fixings: 2x, 8gx20mm timber screws

FINISH

SSS - Satin Stainless Steel

Strike Plate 70mm



CODE

SAB-SP70MM

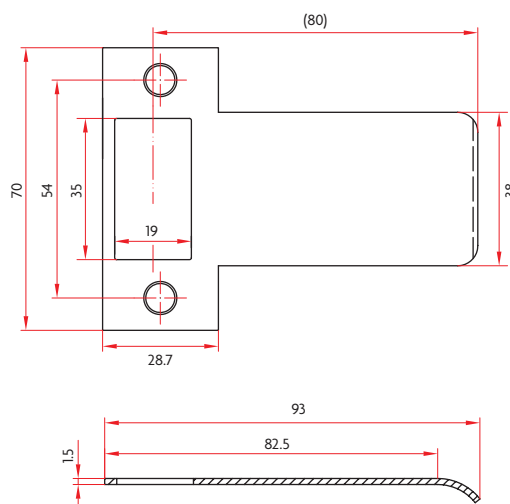
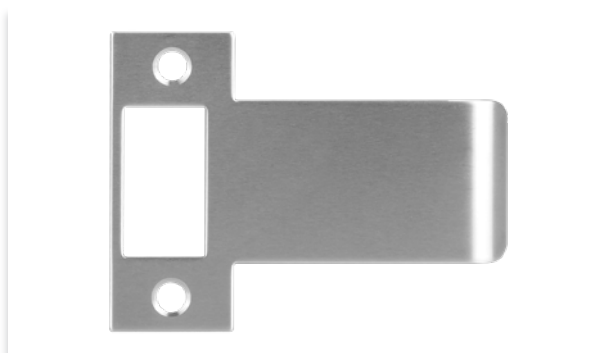
DETAILS

- Max frame depth 72.5mm
- Fixings: 2x, 8gx20mm timber screws

FINISH

SSS - Satin Stainless Steel

Strike Plate 80mm



CODE

SAB-SP80MM

DETAILS

- Max frame depth 82.5mm
- Fixings: 2x, 8gx20mm timber screws

FINISH

SSS - Satin Stainless Steel

LOCK ACCESSORIES

Mortice Rebate Kit

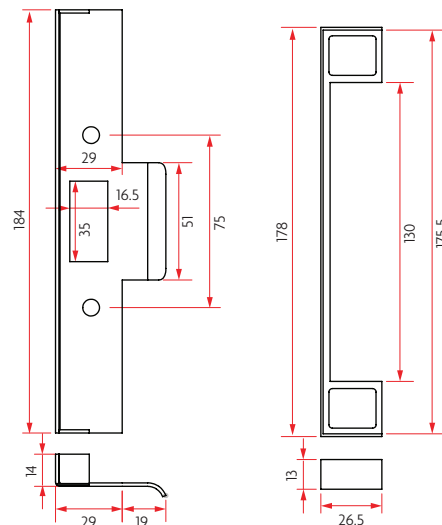


CODE
SAB-RBK02

FINISH
SSS - Satin Stainless Steel

DETAILS

- Fits most common commercial mortice locks (AUS Models)
- 2x 30mm timber screws (strike plate)
- 2x 45mm timber screws (rebate portion)



Universal Tubular Rebate Kit

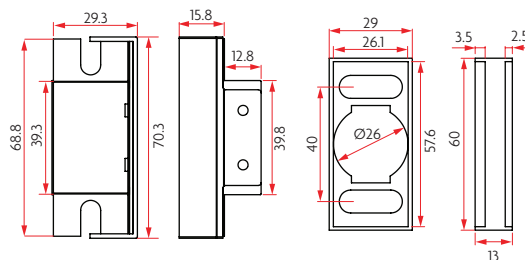


CODE
SAB-TRK

FINISH
SC - Satin Chrome

DETAILS

Suitable for most brands of tubular and cylindrical latches.



Metal Box Strike

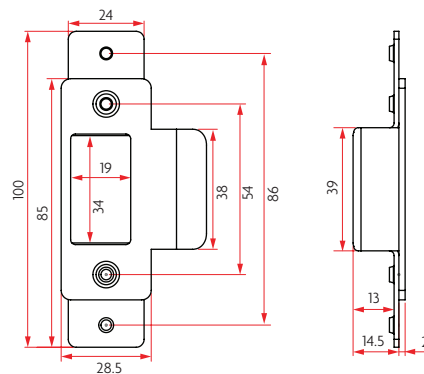


CODE
SAB-MBS

FINISH
SSS - Satin Stainless Steel

DETAILS

- Used on metal door frames to provide flush strike plate installation
- 4x M4x 8.0mm Metal Screws (Undercut Head)



Aluminium Tabs



CODE
SAB-AFT

FINISH
ALY - Aluminium

DETAILS

- Used on metal doors to provide flush lock installation
- 4x M4 x 16mm

