

ARCHITECTURAL HINGES

SUITABLE FOR TIMBER, METAL
AND ALUMINIUM DOORS

- High quality architectural hinges
- Made from quality 304 stainless steel
- Welded pin for increased concealed security
- High quality stainless steel bearings
- Tested to meet Australian standards



HINGES

APPLICATIONS

Suitable for interior and exterior doors Sabre's range of 304 stainless steel hinges will provide smooth and durable operation. The range includes fast-fix hinges suitable for timber and metal frames and architectural plain and ball bearing butt hinges. All Sabre hinges are tested for both cycle and corrosion resistance and often exceed many approved standards from around the world. All hinges are made from

304 stainless steel and no short cuts have been made in the quality of ball bearings used. All Plain and Ball Bearing butt hinges have been tested for use on doors as stated in AS1905.1: 2005. Hinge screw patterns suit most frame manufacturers details, and all come complete with fixing screws.

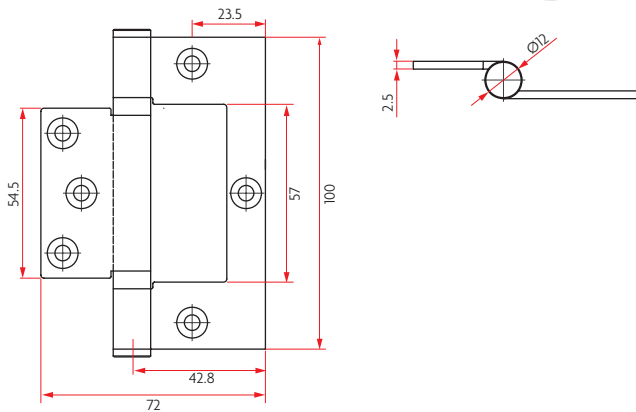
FAST FIX HINGES

TIMBER FIX

SAB-H10070FFT-SSS

- Suitable for timber frames.
- 2.5mm frame and door clearance.

Screws: 6 x 30mm timber screws.

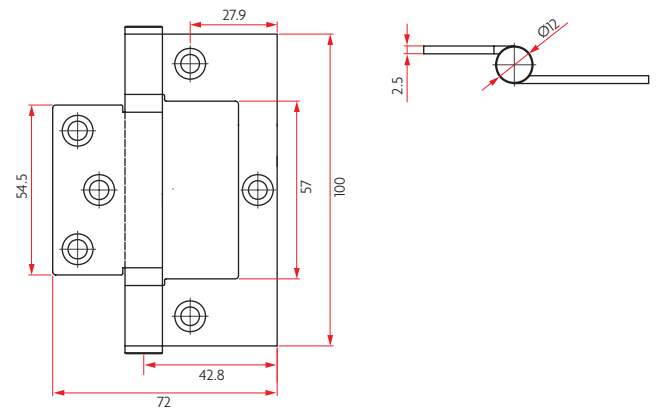


METAL FIX

SAB-H10070FFM-SSS

- Suitable for aluminium frames depending on extrusion type.
- 2.5mm frame and door clearance.

Screws: 6 x 12.5mm undercut self-drilling and 3 x 30mm timber screws.

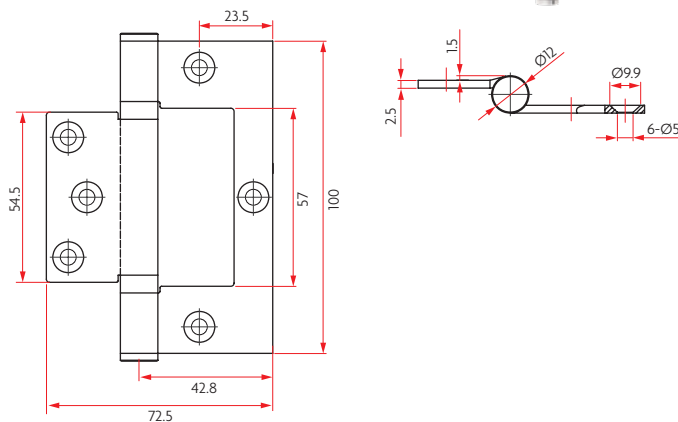


TIMBER FIX KINKED

SAB-H10070FFTK-SSS

- Suitable for timber frames.
- 4.0mm frame and door clearance.

Screws: 6 x 30mm timber screws.



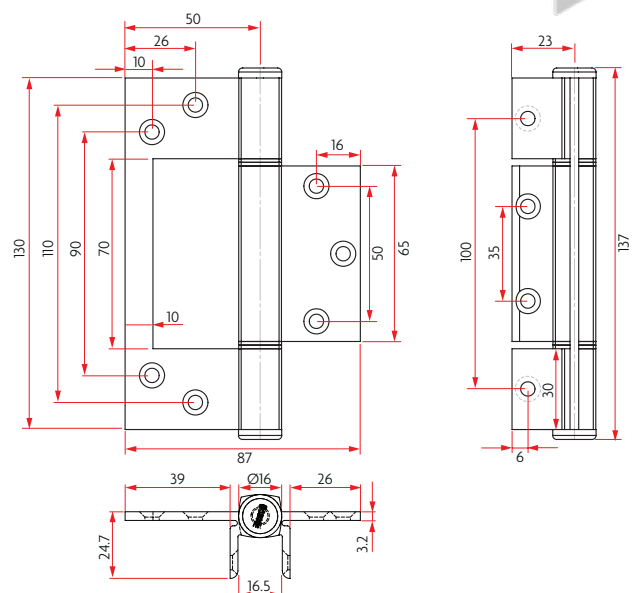
ALUMINIUM

SAB-HA104FF-SNA

SAB-HA104FF-BLK

- Suitable for aluminium frames and doors.

Screws: 11 x 10g x 13mm undercut self-drilling screws.



HINGES

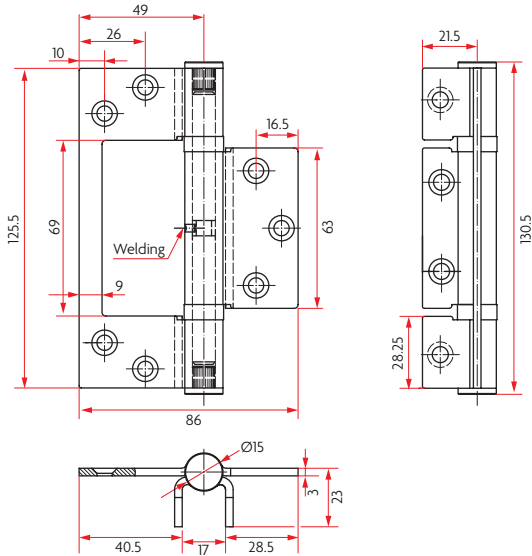
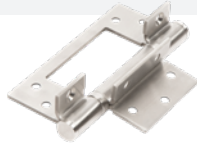
FAST FIX HINGES

HEAVY DUTY

SAB-HI04FFBB-SSS

- Suitable for aluminium frames and doors.

Screws: 11 x 10g x 12.5mm undercut self-drilling screws.



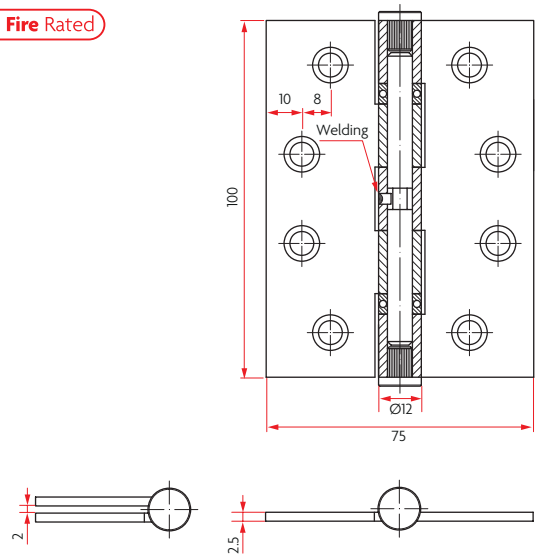
BUTT HINGES

BALL BEARING - 75MM

SAB-HI0075BB-SSS

- Suitable for timber and metal frames.
- Min 2mm frame and door clearance.

Screws: 8 x 10g x 32mm timber, 4 x M5 x 12mm undercut metal screws.

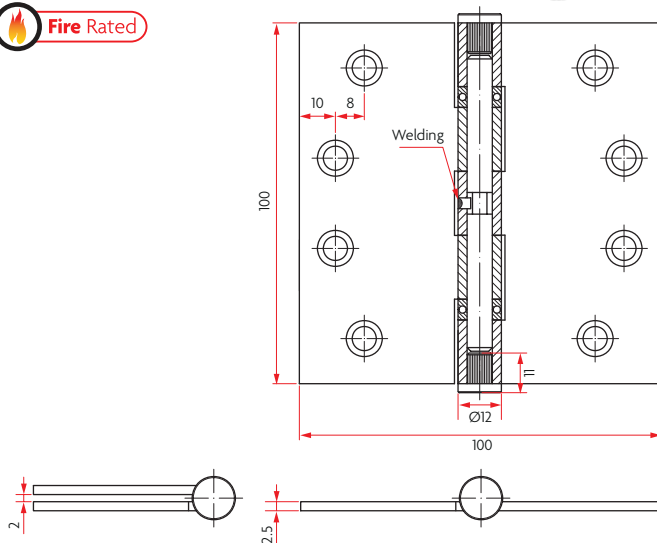


BALL BEARING - 100MM

SAB-HI0000BB-SSS

- Suitable for timber and metal frames.
- Min 2mm frame and door clearance.

Screws: 8 x 10g x 32mm timber, 4 x M5 x 12mm undercut metal screws.

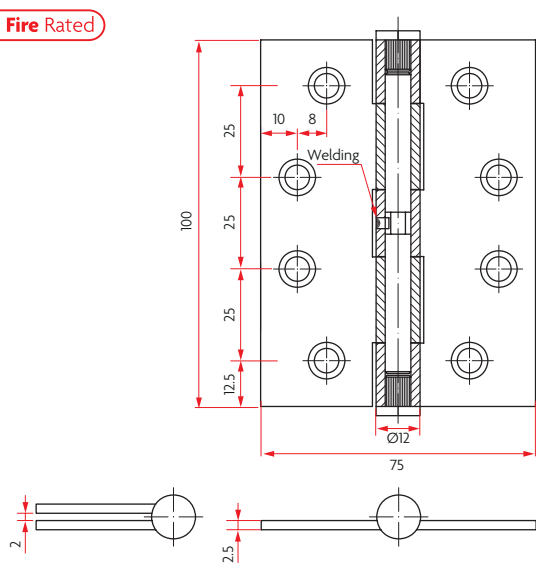


PLAIN - 75MM

SAB-HI0075FP-SSS

- Suitable for timber and metal frames.
- Min 2mm frame and door clearance.

Screws: 8 x 10g x 32mm timber, 4 x M5 x 12mm undercut metal screws.



HINGES

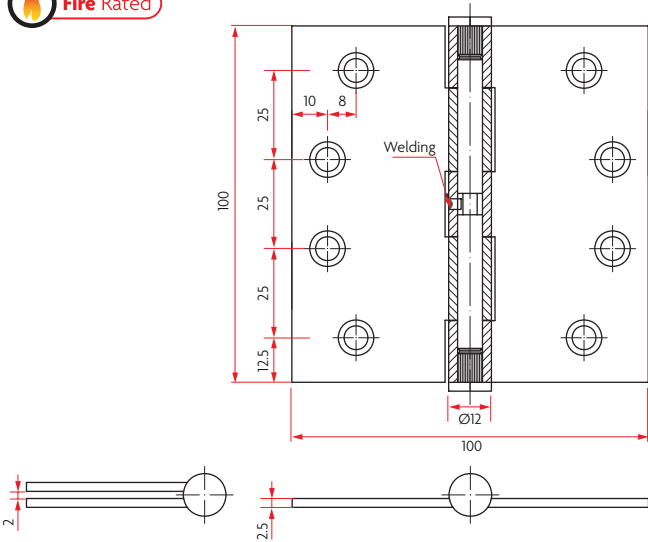
BUTT HINGES

PLAIN - 100MM

SAB-HI0000FP-SSS

- Suitable for timber and metal frames.
- Min 2mm frame and door clearance.

Screws: 8 x 10g x 32mm timber,
4 x M5 x 12mm undercut metal screws.



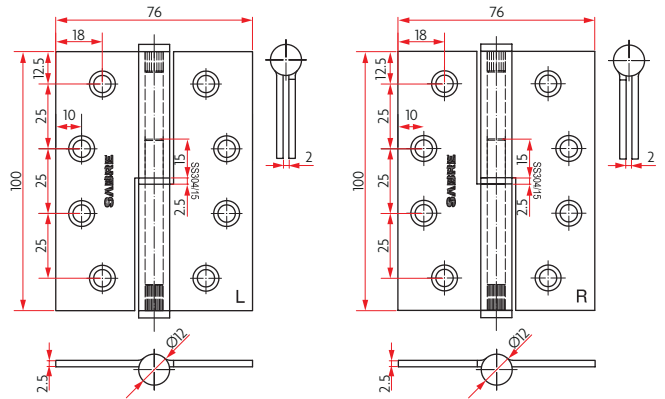
LIFT OFF

SAB-HI0075LOL-SSS

SAB-HI0075LOR-SSS

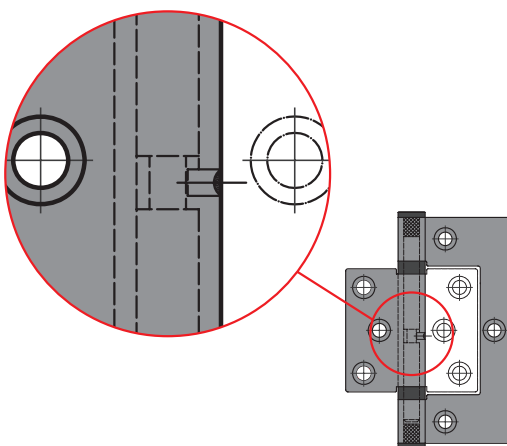
- Suitable for timber and metal frame and where a door may need to be lifted off after installation. Note: hinges are handed.

Screws: 8 x 10g x 32mm timber,
4x M5 x 12mm undercut metal screws.



FEATURES

All Sabre Fast Fix, Plain and Ball Bearing hinges include a concealed welded pin which increases hinge security. This welded pin helps prevent the hinge pin from being removed from the knuckle. This is important especially on external door installations.



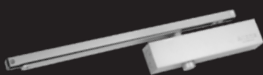
SPARE PARTS

CODE	DESCRIPTION
SAB-SP10070M-SSS	Screw Pack Metal Fast Fix
SAB-SP10070T-SSS	Screw Pack Timber Fast Fix
SAB-SP10075B-SSS	Screw Pack Butt Plain/Bearing

HOW TO HAND A LIFT OFF HINGE

Stand on the side of the door where the door opens towards you. If the hinge is on the right, you need a right handed hinge. If the hinges are on the left, you need a left handed hinge.

RELATED PRODUCTS



836 Track Arm Door Closer



Push/Pull Plates



400 Series Entrance Set



SAB-DS250
250 Door Stop