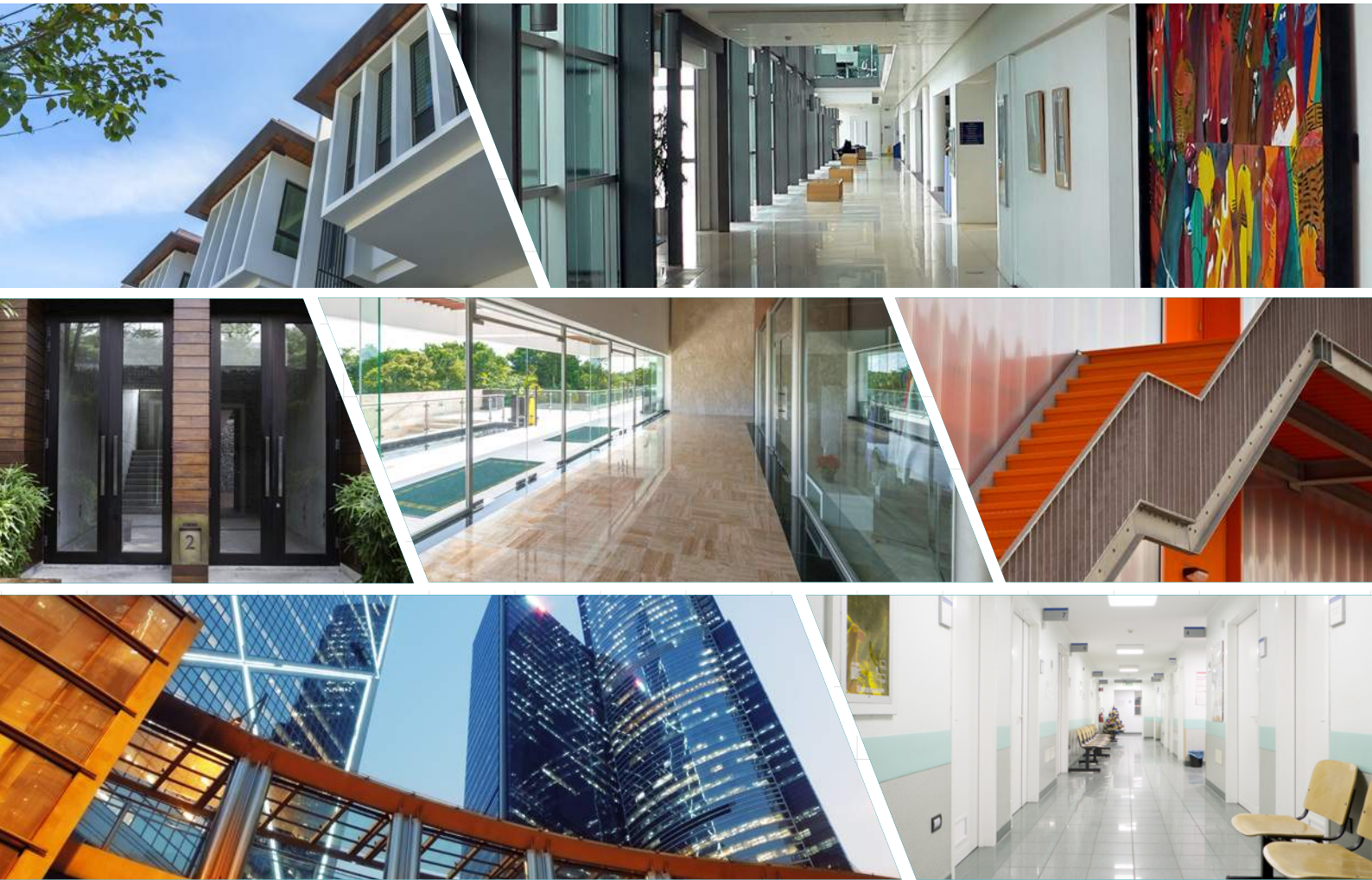


# Door Furniture



# SABRE<sup>®</sup>

## ARCHITECTURAL

As a brand, Sabre Hardware has been a part of the architectural construction supply landscape for over 40 years. Originally launched by Specialty Hardware in Sydney, Sabre became part of the family-owned Access Hardware Group in 2010, facilitating more product investment and development to meet changing market demands.

Our strategic partnerships with manufacturers in the United States, China, Taiwan and Australia have been a cornerstone of our ability to meet customer needs. We will continue to invest in these partnerships to deliver on our mission statement; to always strive to offer quality hardware solutions at the right price. Before a product is branded Sabre, it is rigorously tested to ensure it meets market expectations.

The Sabre product range covers common product categories such as door controls, locksets, entrance handles, general hardware and commercial washroom equipment. Sabre branded products are dispatched daily to all states and territories around Australia.



1-4 Adjustable Spring Strength



4-6 Adjustable Spring Strength



2-4 Position Spring Strength



90° Hold Open



2-5 Adjustable Spring Strength



105° Hold Open



3 Fixed Strength



Back Check



3-5 Adjustable Spring Strength



Delayed Action



3-6 Adjustable Spring Strength



Parallel Arm Bracket



4 Fixed Strength



Made in the USA



10 Year Mechanical Warranty



Made from 304 Stainless Steel



5 Year Mechanical Warranty



AS1428.1 Compliant



Fire Rated Fire rated

# Door Furniture

R53 Lever on Rose

R65 Lever on Rose

Lever on Rose Accessories

Narrow Plate Square End Furniture

Wide Plate Square End Furniture

53MM ROUND ROSE

# LEVER ON ROSE

SUITABLE FOR USE IN COMMERCIAL AND RESIDENTIAL APPLICATIONS

Making a statement doesn't get any easier when selecting from the Sabre R53 Series Stainless Steel designer range of levers and accessories. The range provides a generous selection of designs for both commercial and residential applications including options for accessible compliance. Engineered to exceed 500,000 cycles gives the end user peace of mind knowing their purchase is backed by a 10 year mechanical warranty. The R53 Series is made from durable and low maintenance 304 stainless steel which is aesthetically appealing for the home or office. The rose size has carefully been considered to be matched with industry leading brands of commercial mortice locks and combined with Sabre's high quality tubular latches and privacy bolts.

- 53mm diameter x 10mm rose
- Non handed (site adjustable)
- Suitable for doors between 34mm to 50mm in thickness
- Tested for durability for up to 500,000 cycles



\*Where applicable



## Lever Designs

H01



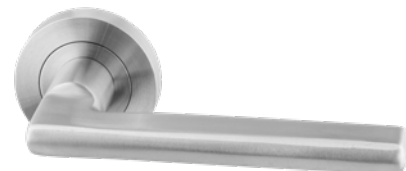
H02



H03



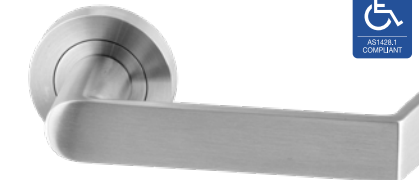
H04



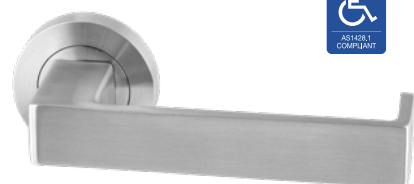
H05



S06



S07



## Privacy Set

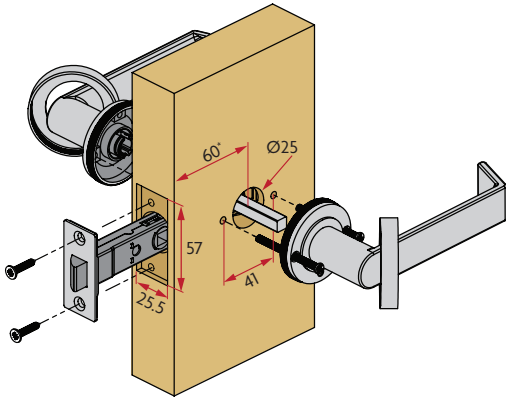
- Push on rose provides concealed fixing for both internal and external levers
- Designed for use with tubular latches and mortise locks with a minimum 45mm backset
- Suitable for use in residential applications



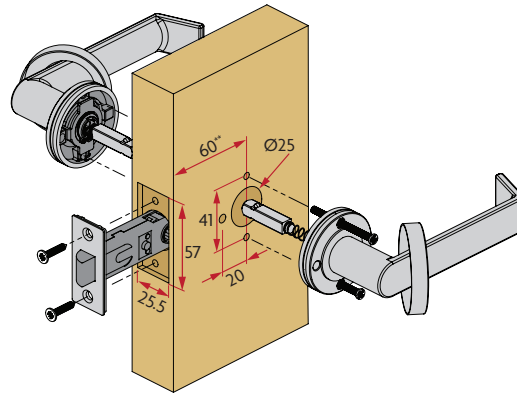
# 53MM ROUND ROSE LEVER ON ROSE

## DOOR PREP

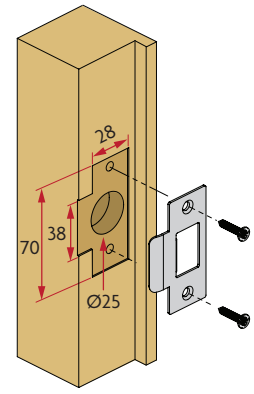
### LEVER SET



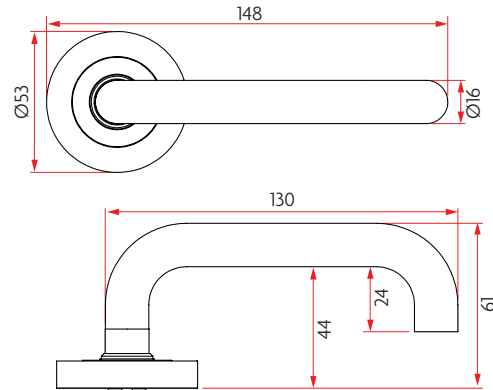
### PRIVACY SET



### STRIKE PLATE



### R53 H01 - Hollow



#### CODE

SAB-LS-R53-H01 (Lever)  
SAB-PS-R53-H01 (Privacy)

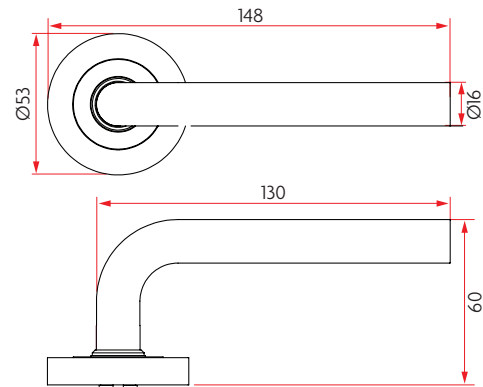
#### FINISH

SSS - Satin Stainless Steel  
BK - Black

#### DETAILS

- Lever Set - includes set of levers, 2x50mm, 2x65mm fixing screws
- Privacy Set - includes set of levers, privacy latch, privacy pin, 2 split spindles and springs, strike plate and 2x50mm, 2x65mm fixing screws.

### R53 H02 - Hollow



#### CODE

SAB-LS-R53-H02 (Lever)  
SAB-PS-R53-H02 (Privacy)

#### FINISH

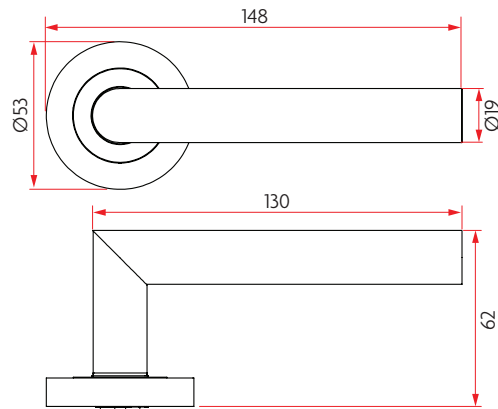
SSS - Satin Stainless Steel  
BK - Black

#### DETAILS

- Lever Set - includes set of levers, 2x50mm, 2x65mm fixing screws
- Privacy Set - includes set of levers, privacy latch, privacy pin, 2 split spindles and springs, strike plate and 2x50mm, 2x65mm fixing screws.

# 53MM ROUND ROSE LEVER ON ROSE

## R53 H03 - Hollow



### CODE

SAB-LS-R53-H03 (Lever)  
SAB-PS-R53-H03 (Privacy)

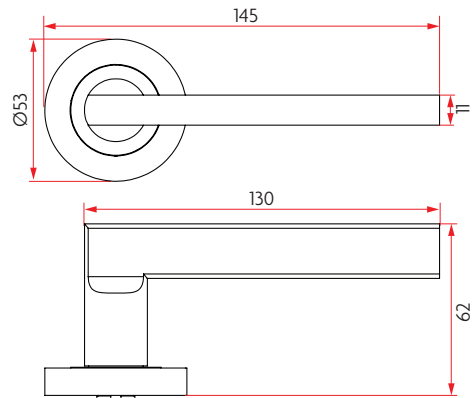
### FINISH

SSS - Satin Stainless Steel  
BK - Black

### DETAILS

- Lever Set - includes set of levers, 2x50mm, 2x65mm fixing screws
- Privacy Set - includes set of levers, privacy latch, privacy pin, 2 split spindles and springs, strike plate and 2x50mm, 2x65mm fixing screws.

## R53 H04 - Hollow



### CODE

SAB-LS-R53-H04 (Lever)  
SAB-PS-R53-H04 (Privacy)

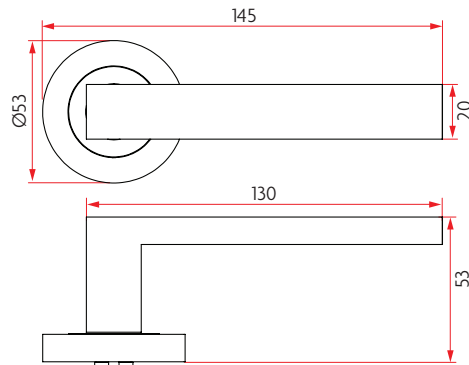
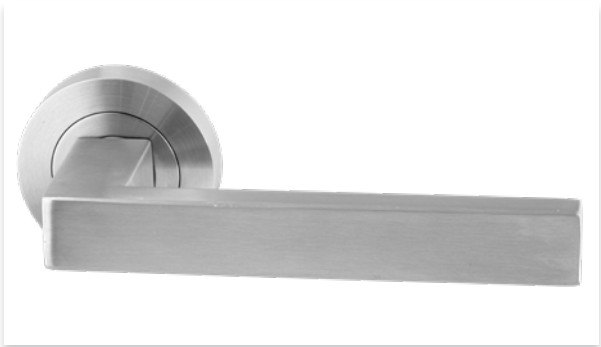
### FINISH

SSS - Satin Stainless Steel  
BK - Black

### DETAILS

- Lever Set - includes set of levers, 2x50mm, 2x65mm fixing screws
- Privacy Set - includes set of levers, privacy latch, privacy pin, 2 split spindles and springs, strike plate and 2x50mm, 2x65mm fixing screws.

## R53 H05 - Hollow



### CODE

SAB-LS-R53-H05 (Lever)  
SAB-PS-R53-H05 (Privacy)

### FINISH

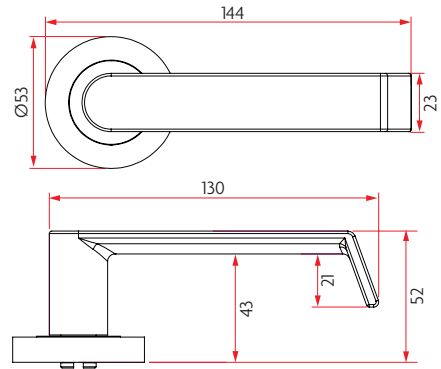
SSS - Satin Stainless Steel  
BK - Black

### DETAILS

- Lever Set - includes set of levers, 2x50mm, 2x65mm fixing screws
- Privacy Set - includes set of levers, privacy latch, privacy pin, 2 split spindles and springs, strike plate and 2x50mm, 2x65mm fixing screws.

# 53MM ROUND ROSE LEVER ON ROSE

## R53 S06 - Solid



### CODE

SAB-LS-R53-S06 (Lever)  
SAB-PS-R53-S06 (Privacy)

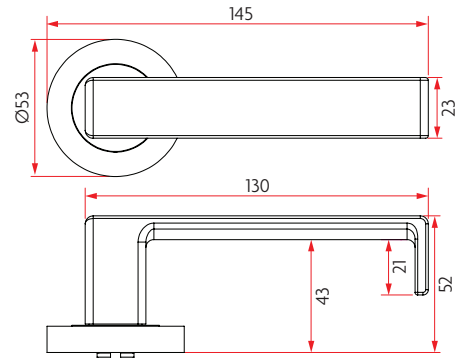
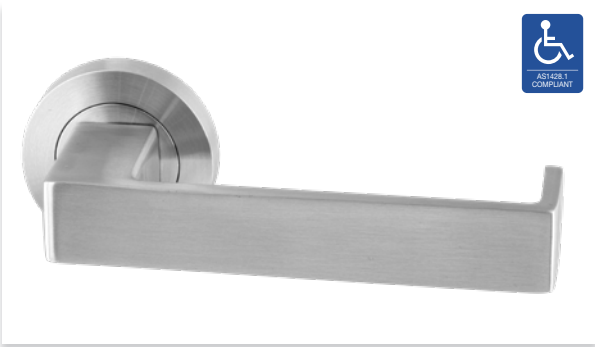
### FINISH

SSS - Satin Stainless Steel  
BK - Black

### DETAILS

- Lever Set - includes set of levers, 2x50mm, 2x65mm fixing screws
- Privacy Set - includes set of levers, privacy latch, privacy pin, 2 split spindles and springs, strike plate and 2x50mm, 2x65mm fixing screws.

## R53 S07 - Solid



### CODE

SAB-LS-R53-S07 (Lever)  
SAB-PS-R53-S07 (Privacy)

### FINISH

SSS - Satin Stainless Steel  
BK - Black

### DETAILS

- Lever Set - includes set of levers, 2x50mm, 2x65mm fixing screws
- Privacy Set - includes set of levers, privacy latch, privacy pin, 2 split spindles and springs, strike plate and 2x50mm, 2x65mm fixing screws.

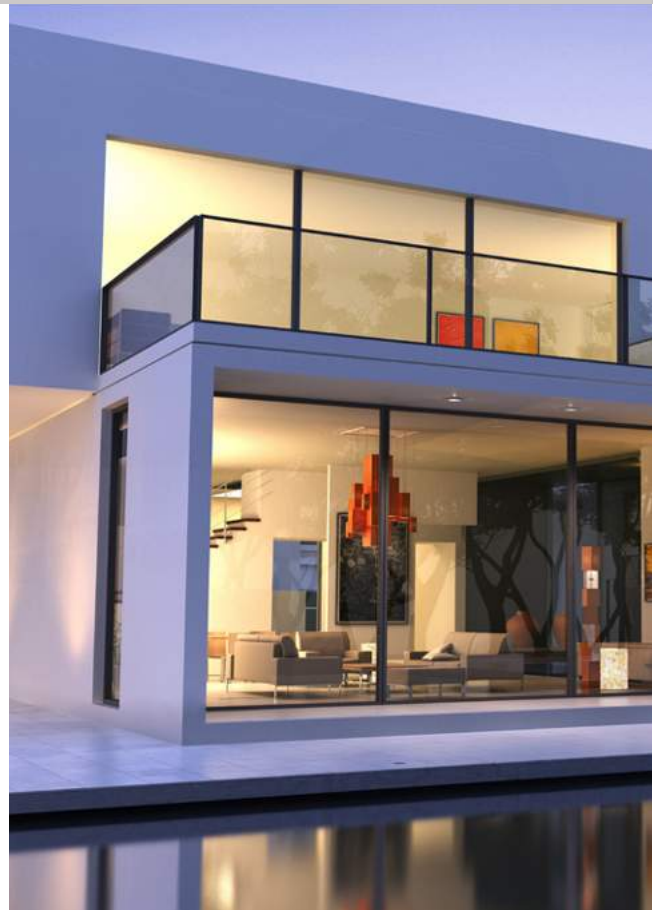
65MM ROUND ROSE

# LEVER ON ROSE

SUITABLE FOR USE IN COMMERCIAL AND RESIDENTIAL APPLICATIONS

When you require quality door furniture for your project or home it's difficult to go past the Sabre R65 lever on rose door furniture. Taking quality to the next level all R65 roses are manufactured from solid investment cast stainless steel with concealed fixing, satisfying those seeking the finer details of design and security and also offering AS1428 compliancy. Whilst the quality of the R65 lever on rose was to meet the needs of commercial applications, the 65mm rose diameter boasts the advantage of installation on new and existing residential doors with complimenting privacy sets. The Sabre R65 lever rose furniture can be combined with industry leading commercial mortice locks or Sabre's high quality tubular latches and privacy bolts. When it comes to matching accessories, you can choose from the wide selection of Sabre R53 round rose accessories.

- 65mm diameter x 10mm rose
- Non handed (site adjustable)
- Suitable for doors between 34mm to 50mm in thickness
- Tested for durability for up to 500,000 cycles



## Lever Designs

H01



S06



S07



## Privacy Set

- Push on rose provides concealed fixing for both internal and external levers
- Designed for use with tubular latches and mortise locks with a minimum 45mm backset
- Suitable for use in residential applications

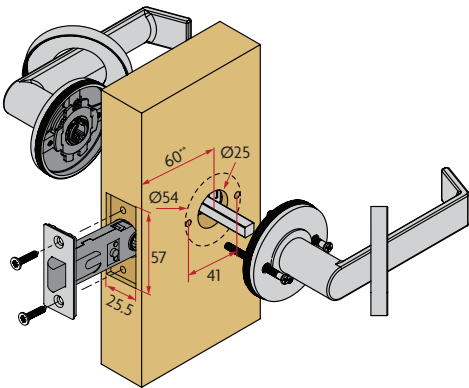




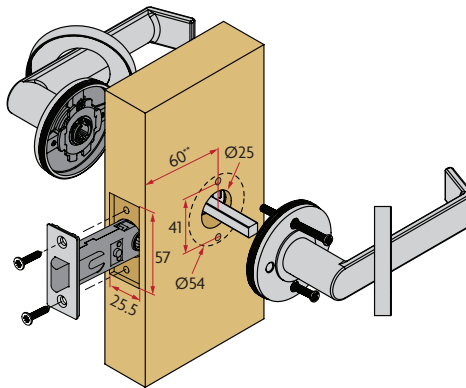
# 65MM ROUND ROSE LEVER ON ROSE

## DOOR PREP

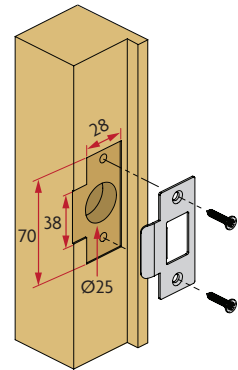
### LEVER SET



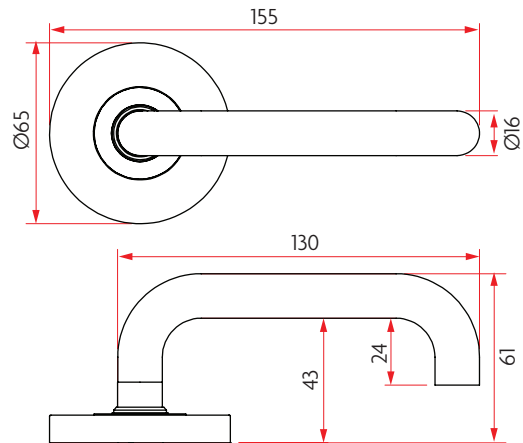
### PRIVACY SET



### STRIKE PLATE



## R65 H01 - Hollow



### CODE

SAB-LS-R65-H01 (Lever)  
SAB-PS-R65-H01 (Privacy)

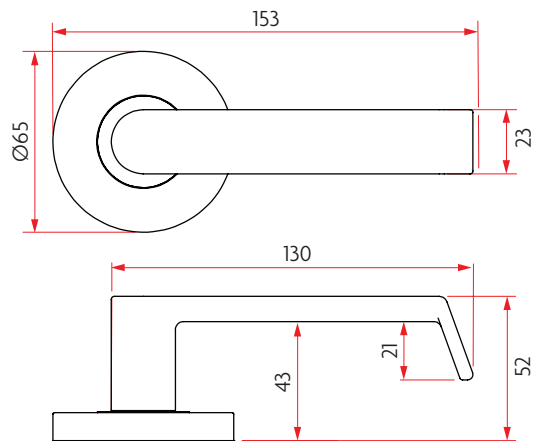
### FINISH

SSS - Satin Stainless Steel

### DETAILS

- Lever Set - includes set of levers, 2x50mm, 2x65mm fixing screws
- Privacy Set - includes set of levers, privacy latch, privacy pin, 2 split spindles and springs, strike plate and 2x50mm, 2x65mm fixing screws.

## R65 S06 - Solid



### CODE

SAB-LS-R65-S06 (Lever)  
SAB-PS-R65-S06 (Privacy)

### FINISH

SSS - Satin Stainless Steel

### DETAILS

- Lever Set - includes set of levers, 2x50mm, 2x65mm fixing screws
- Privacy Set - includes set of levers, privacy latch, privacy pin, 2 split spindles and springs, strike plate and 2x50mm, 2x65mm fixing screws.

# 65MM ROUND ROSE LEVER ON ROSE

R65 S07 - Solid



**CODE**

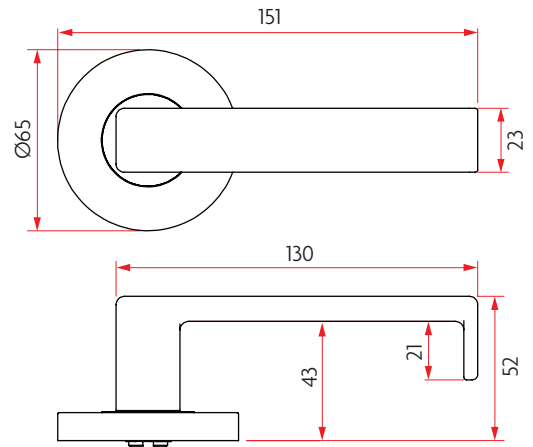
SAB-LS-R65-S07 (Lever)  
 SAB-PS-R65-S07 (Privacy)

**FINISH**

SSS - Satin Stainless Steel

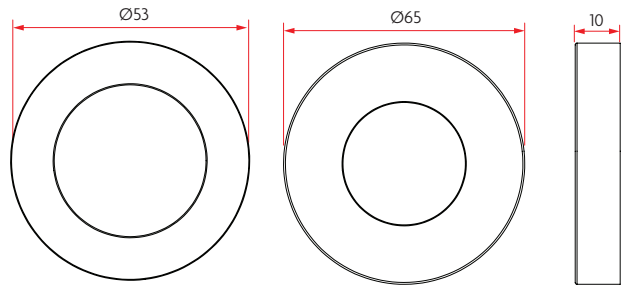
**DETAILS**

- Lever Set - includes set of levers, 2x50mm, 2x65mm fixing screws
- Privacy Set - includes set of levers, privacy latch, privacy pin, 2 split spindles and springs, strike plate and 2x50mm, 2x65mm fixing screws.



# LEVER ON ROSE - ACCESSORIES

## R53/R65 Blank Rose



**CODE**

SAB-BR-R53 (as shown)  
SAB-BR-R65

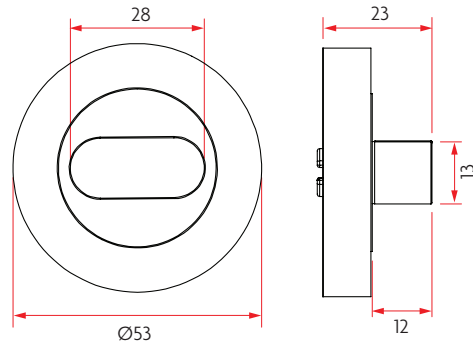
**DETAILS**

- Includes 2x 50mm, 2x 65mm.
- 41mm fixing centres

**FINISH**

SSS - Satin Stainless Steel  
BK - Black

## R53 Standard Turn Snib



**CODE**

SAB-STS-R53

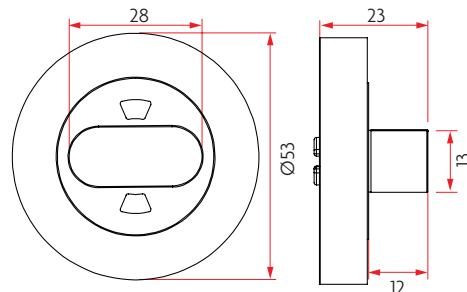
**DETAILS**

- Non handed
- 4 x 16mm fixing screws
- 6.5mm x 45mm tail piece

**FINISH**

SSS - Satin Stainless Steel  
BK - Black

## R53 Indicating Turn Snib



**CODE**

SAB-ITS-R53

**DETAILS**

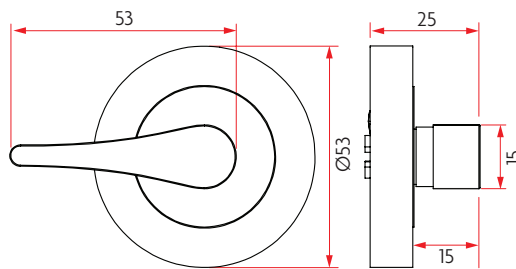
- Indicates red when door is locked
- Non handed
- 4 x 16mm fixing screws
- 45mm x 6mm tail piece

**FINISH**

SSS - Satin Stainless Steel  
BK - Black

# LEVER ON ROSE - ACCESSORIES

## R53 Accessible Turn Snib



**CODE**

SAB-ATS-R53

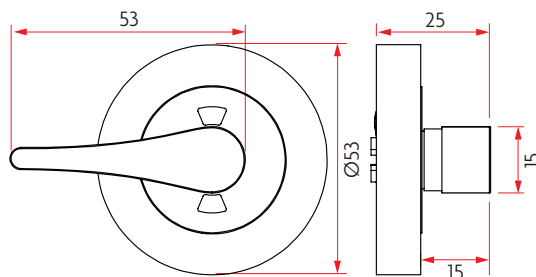
**DETAILS**

- Non handed
- 4 x 16mm fixing screws
- 6.5mm x 45mm tail piece

**FINISH**

SSS - Satin Stainless Steel  
BK - Black

## R53 Indicating Accessible Turn Snib - RH



**CODE**

SAB-IAT-R53-RH

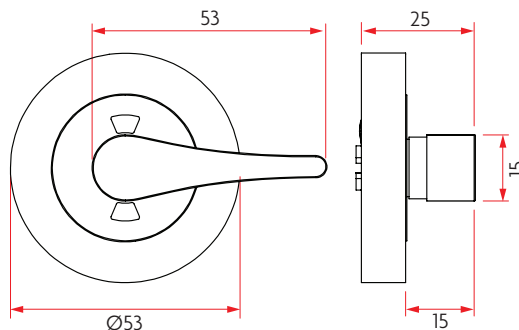
**DETAILS**

- Suits left hand functioned locks
- Indicates red when locked
- Indicates green when unlocked
- 45mm x 6mm tail piece
- 4 x 16mm fixing screws

**FINISH**

SSS - Satin Stainless Steel  
BK - Black

## R53 Indicating Accessible Turn Snib - LH



**CODE**

SAB-IAT-R53-LH

**DETAILS**

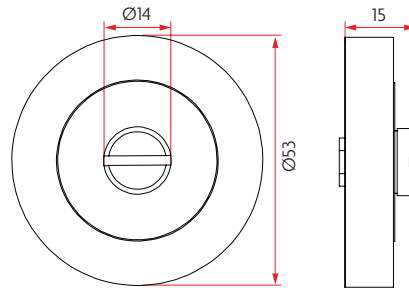
- Suits right hand functioned locks
- Indicates red when locked
- Indicates green when unlocked
- 45mm x 6mm tail piece
- 4 x 16mm fixing screws

**FINISH**

SSS - Satin Stainless Steel  
BK - Black

# LEVER ON ROSE - ACCESSORIES

## R53 Emergency Slotted Turn

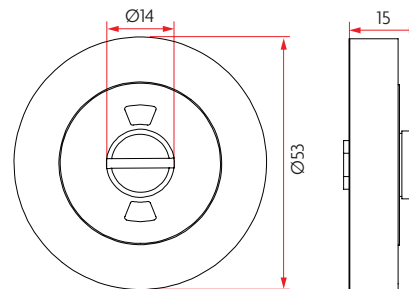


**CODE**  
SAB-EST-R53

**DETAILS**  
4 x 16mm fixing screws

**FINISH**  
SSS - Satin Stainless Steel  
BK - Black

## R53 Indicating Emergency Slotted Turn



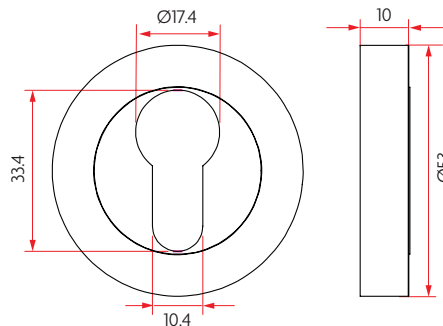
**CODE**  
SAB-IES-R53

**DETAILS**

- Emergency slot for emergency opening
- Non handed
- Indicates red when locked
- Indicates green when unlocked
- 4 x 16 fixing screws

**FINISH**  
SSS - Satin Stainless Steel  
BK - Black

## R53 Euro Cylinder Escutcheon



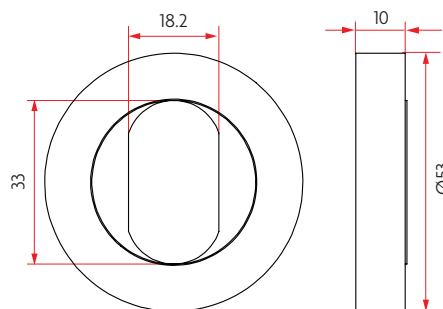
**CODE**  
SAB-ECE-R53

**DETAILS**  
4 x 16mm fixing screws

**FINISH**  
SSS - Satin Stainless Steel  
BK - Black

# LEVER ON ROSE - ACCESSORIES

## R53 Oval Cylinder Escutcheon



**CODE**  
SAB-OCE-R53

**DETAILS**  
4 x 16mm fixing screws

**FINISH**  
SSS - Satin Stainless Steel  
BK - Black

## Tubular Latch 60mm



**CODE**  
SAB-TL-60-T  
SAB-TL-60-D

**FINISH**  
SSS - Satin Stainless Steel

**DETAILS**

- 60mm backset
- includes solid 7.6mm x 75mm spindle, T or D shaped strike plate and fixing screws

## Tubular Privacy Latch 60mm



**CODE**  
SAB-PL-60-T  
SAB-PL-60-D

**FINISH**  
SSS - Satin Stainless Steel

**DETAILS**

- 60mm backset
- includes privacy pin, 2 splint spindles with springs, T or D shaped strike plate and fixing screws

## Tubular Privacy Bolt 60mm



**CODE**  
SAB-PB-60

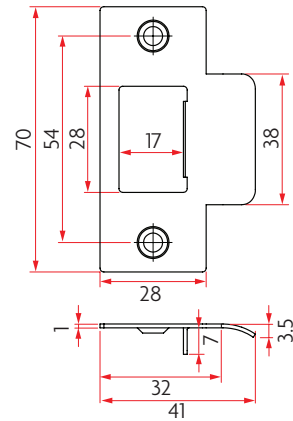
**FINISH**  
SSS - Satin Stainless Steel

**DETAILS**

- 60mm backset
- suits 6.5mm flat and 4.5mm star tail pieces
- includes a flat strike plate

# LEVER ON ROSE - ACCESSORIES

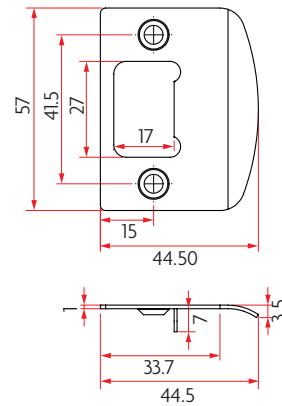
## T Strike Plate



**CODE**  
SAB-LS-T-STRIKE-SSS

**FINISH**  
SSS - Satin Stainless Steel

## D Strike Plate



**CODE**  
SAB-LS-D-STRIKE-SSS

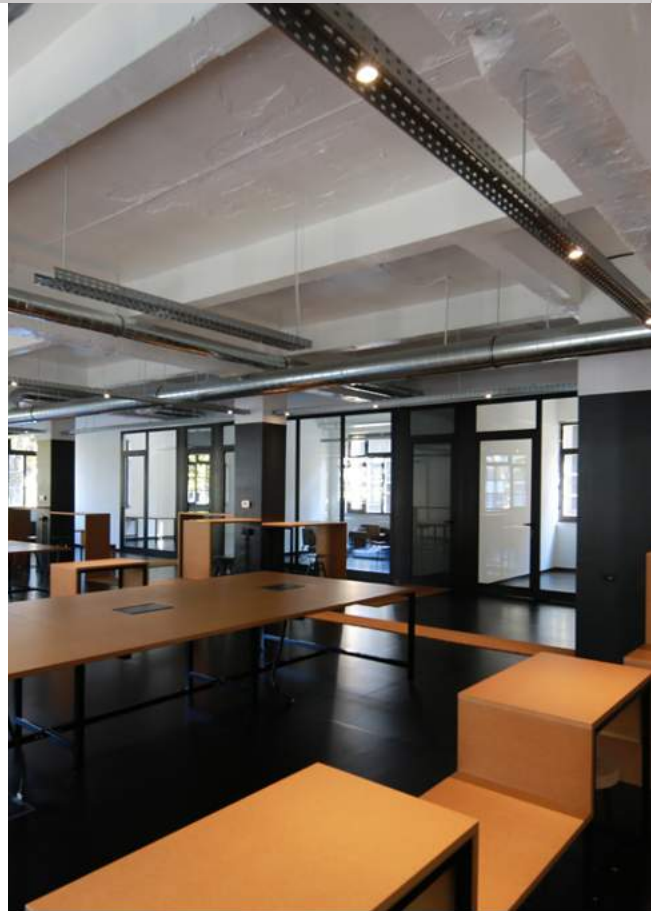
**FINISH**  
SSS - Satin Stainless Steel

# NARROW PLATE SQUARE END FURNITURE

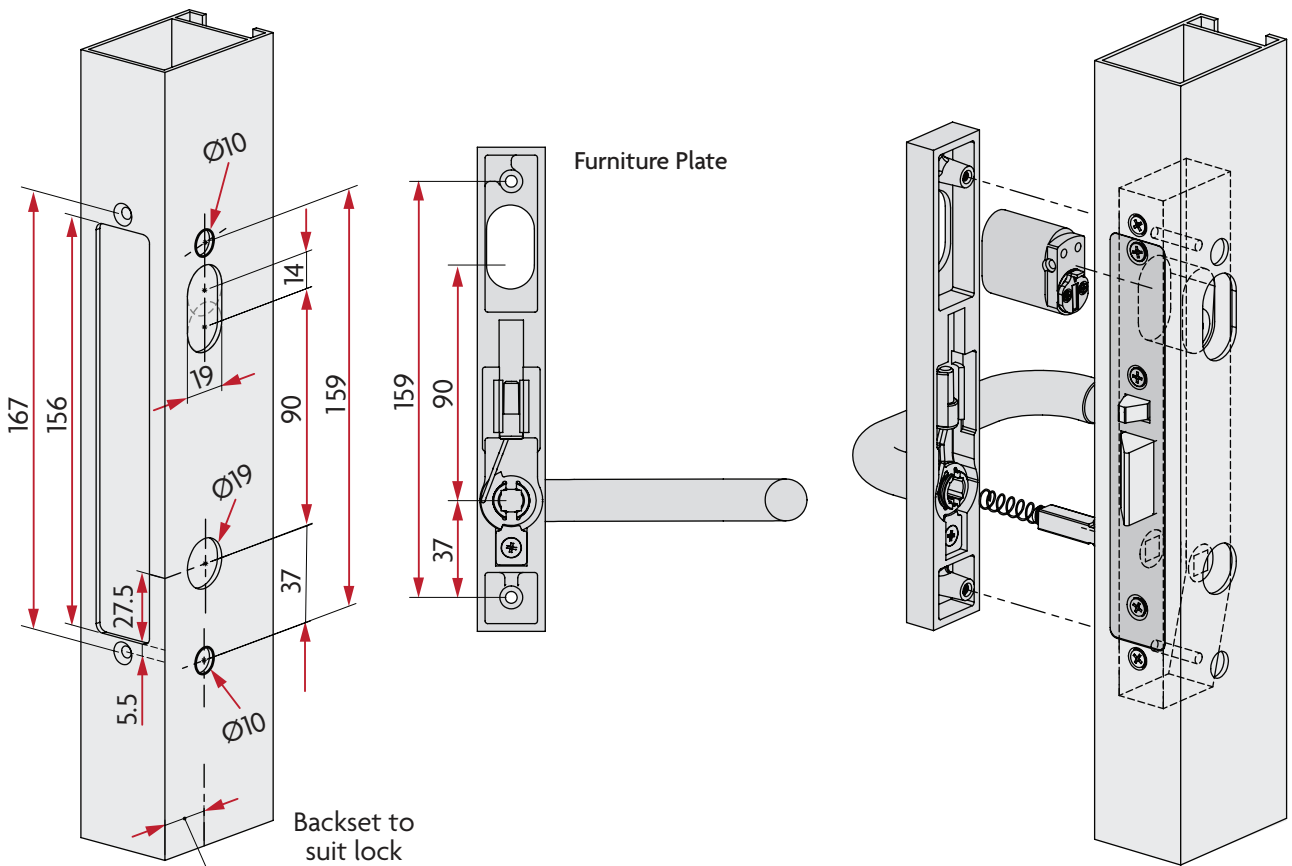
## FOR USE WITH COMMERCIAL SHORT BACKSET MORTICE LOCKS

Sabre Narrow Plate Furniture has been engineered and manufactured from high quality materials and machining processes. The narrow plate design allows it to be combined with many of Australia's leading brands of commercial short backset mortice locks. The lever design and accessible turn snib meet AS1428.1 design requirements. Many hours of testing has gone into developing the product ensuring it can withstand the heavy demands of high use commercial doors. The range includes multiple plate options both external and internal for secure back to back fixing.

- Plate size 185mm x 26mm x 12mm
- Suitable for doors between 35 and 50mm in thickness
- Tested for durability for up to 300,000 cycles
- Non handed lever
- Back to back fixing



## DOOR PREP





# NARROW PLATE SQUARE END FURNITURE

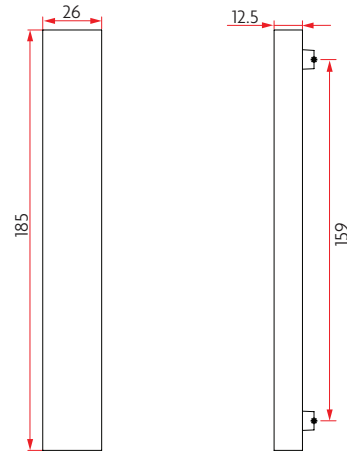
## Concealed Fix Plate Only



**CODE**  
SAB-NSS-CPO

**DETAILS**  
2 x M4 x 65mm fixing screws

**FINISH**  
SS - Satin Stainless Steel



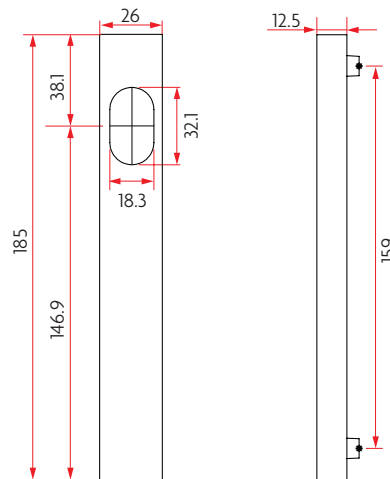
## Concealed Fix Cylinder Hole Only



**CODE**  
SAB-NSS-CCO

**DETAILS**  
2 x M4 x 65mm fixing screws

**FINISH**  
SS - Satin Stainless Steel



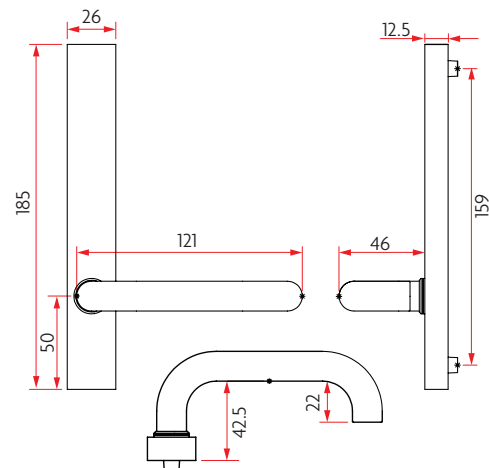
## Concealed Fix Lever Only



**CODE**  
SAB-NSS-CLO-H01

**DETAILS**  
2 x M4 x 65mm fixing screws

**FINISH**  
SS - Satin Stainless Steel



# NARROW PLATE SQUARE END FURNITURE

## Concealed Fix Cylinder Lever



**CODE**

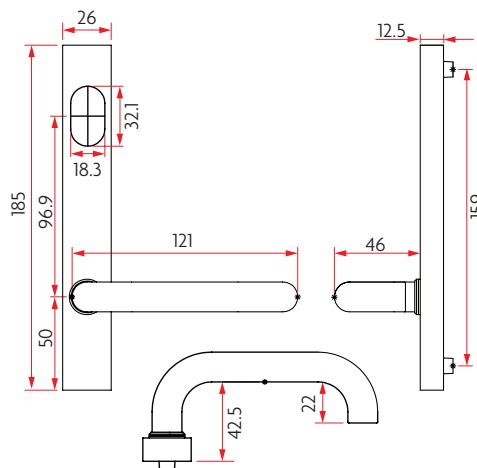
SAB-NSS-CCL-H01

**DETAILS**

2 x M4 x 65mm fixing screws

**FINISH**

SS - Satin Stainless Steel



## Concealed Fix Emergency Lever



**CODE**

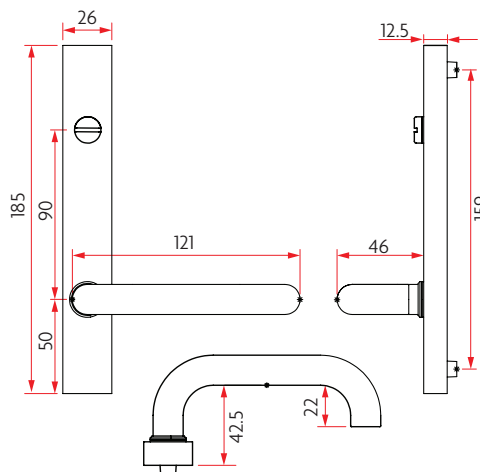
SAB-NSS-CEL-H01

**DETAILS**

- Emergency slot for emergency opening
- 2 x M4 x 65mm fixing screws

**FINISH**

SS - Satin Stainless Steel



## Visible Fix Plate Only

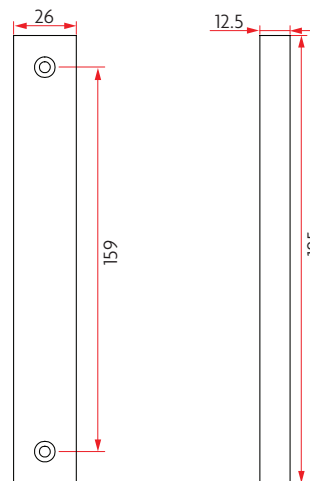


**CODE**

SAB-NSS-VPO

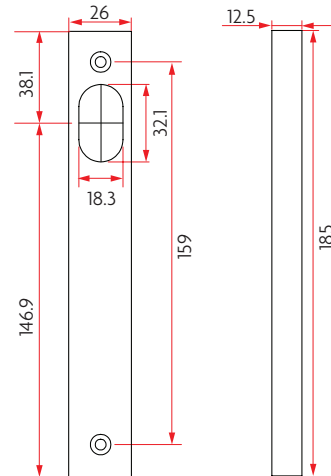
**FINISH**

SS - Satin Stainless Steel



# NARROW PLATE SQUARE END FURNITURE

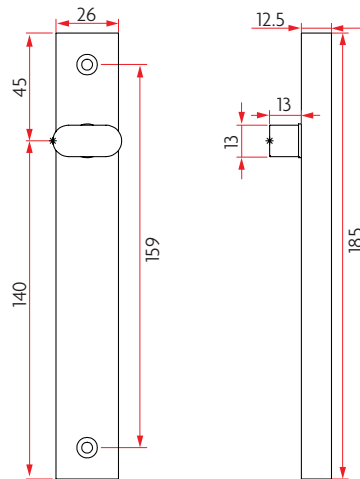
## Visible Fix Cylinder Hole Only



**CODE**  
SAB-NSS-VCO

**FINISH**  
SS - Satin Stainless Steel

## Visible Fix Turn Only

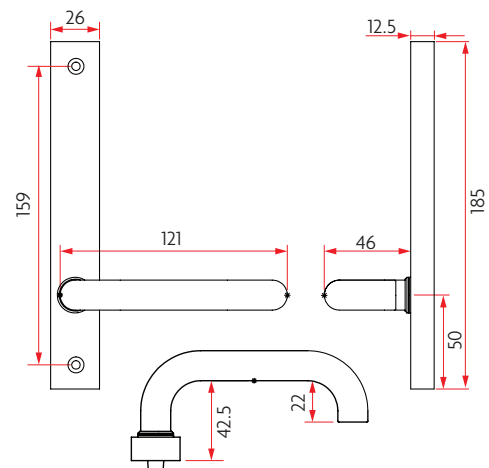


**CODE**  
SAB-NSS-VTO

**DETAILS**  
45mm x 6mm tail piece

**FINISH**  
SS - Satin Stainless Steel

## Visible Fix Lever Only



**CODE**  
SAB-NSS-VLO-H01

**FINISH**  
SS - Satin Stainless Steel

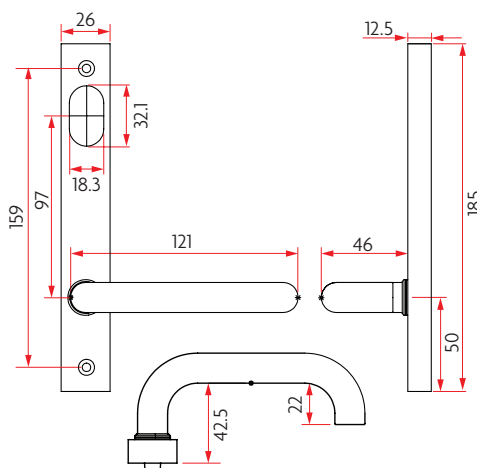
# NARROW PLATE SQUARE END FURNITURE

## Visible Fix Cylinder Lever



**CODE**  
SAB-NSS-VCL-H01

**FINISH**  
SS - Satin Stainless Steel



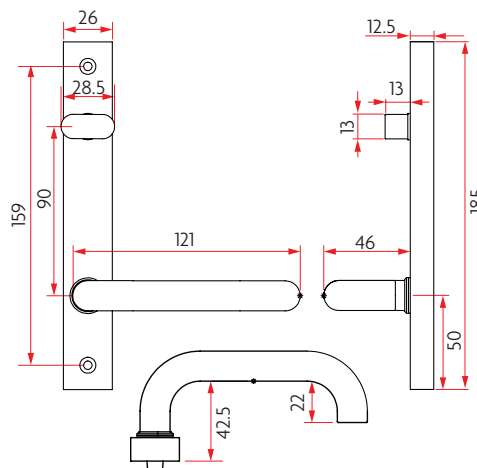
## Visible Fix Turn Lever



**CODE**  
SAB-NSS-VTL-H01

**FINISH**  
SS - Satin Stainless Steel

**DETAILS**  
45mm x 6mm tail piece



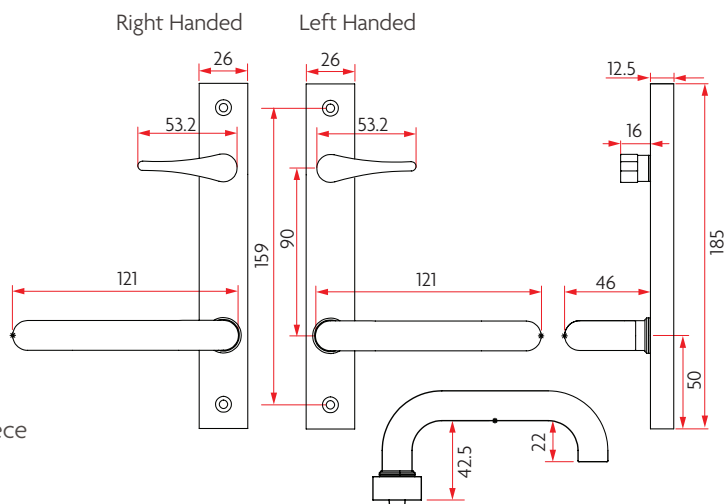
## Visible Fix Accessible Lever



**CODE**  
SAB-NSS-VAL-H01-L (as shown)  
SAB-NSS-VAL-H01-R

**FINISH**  
SS - Satin Stainless Steel

**DETAILS**  
45mm x 6mm tail piece



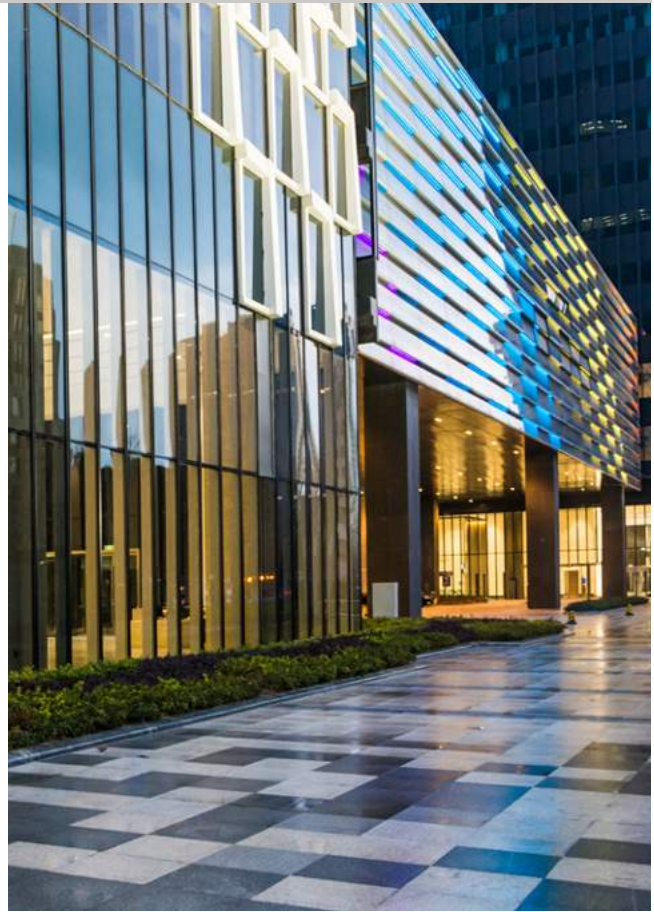
# WIDE PLATE SQUARE END FURNITURE

## FOR USE WITH COMMERCIAL MORTICE LOCKS

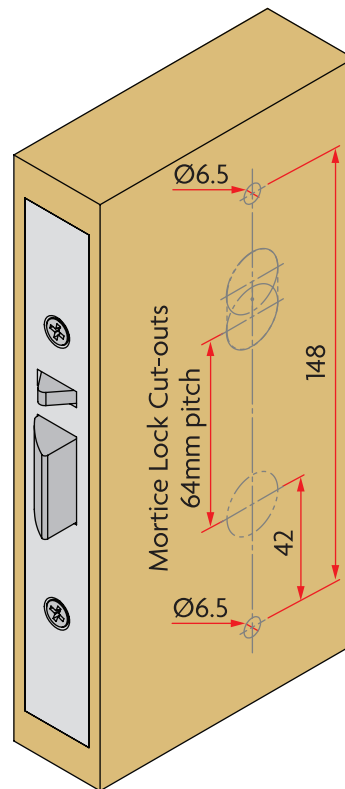
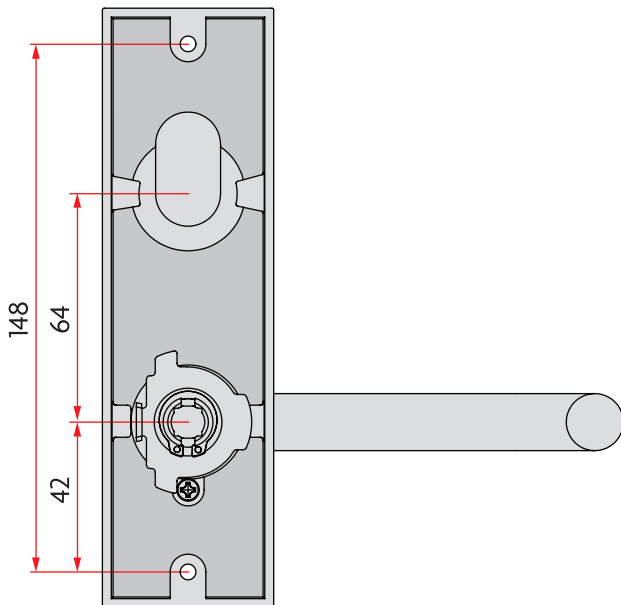
The Sabre range of high quality investment cast stainless steel wide plate furniture combines functionality and durability. Tested and designed to withstand commercial and industrial applications with a variety of plate options to choose from. Stainless steel is the preferred choice as there is no requirement for further plating processes that can be found harmful to the environment.

Sabre wide plate furniture can be used with most leading brands of commercial mortice locks and can be used in the majority of retro-fit situations..

- Plate size 168mm x 48mm x 11.5mm
- Suitable for doors between 34mm and 50mm in thickness
- Non-handed lever (accessible turn functions are handed)
- Tested for durability for up to 500,000 cycles
- Manufactured from 304 grade stainless steel



## DOOR PREP



# WIDE PLATE SQUARE END FURNITURE

## Concealed Fix Plate Only



**CODE**

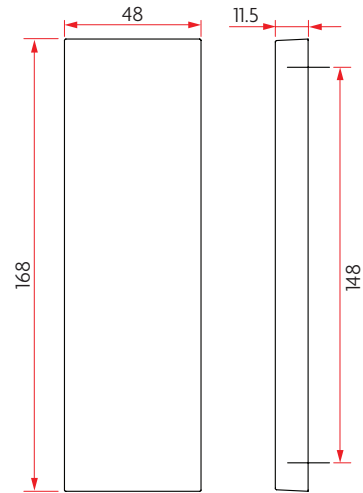
SAB-WPS-CPO

**DETAILS**

2 x 50mm, 2 x 65mm fixings screws

**FINISH**

SS - Satin Stainless Steel



## Concealed Fix Cylinder Only



**CODE**

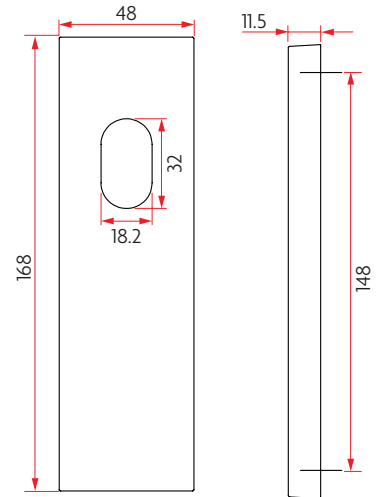
SAB-WPS-CCO

**DETAILS**

2 x 50mm, 2 x 65mm fixings screws

**FINISH**

SS - Satin Stainless Steel



## Concealed Fix Lever Only



**CODE**

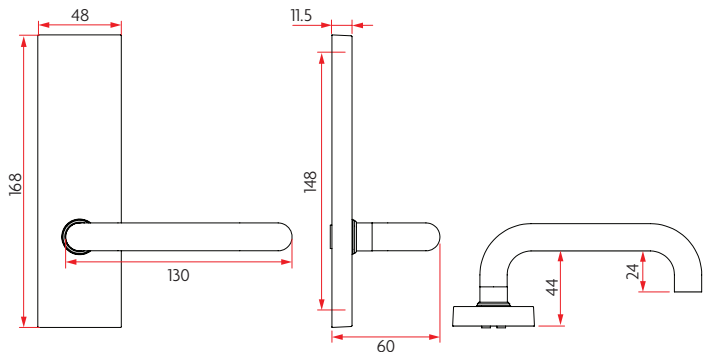
SAB-WPS-CLO-H01

**DETAILS**

2 x 50mm, 2 x 65mm fixings screws

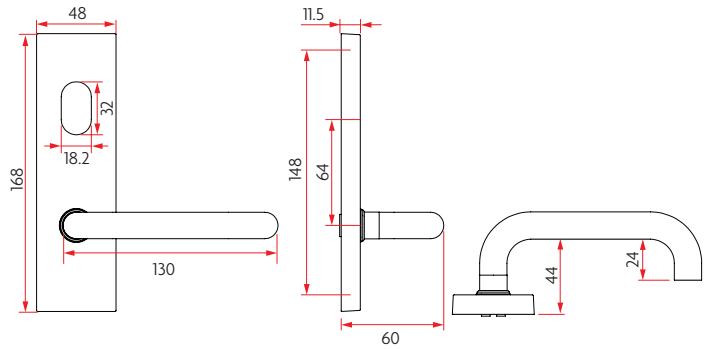
**FINISH**

SS - Satin Stainless Steel



# WIDE PLATE SQUARE END FURNITURE

## Concealed Fix Cylinder Lever



### CODE

SAB-WPS-CCL-H01

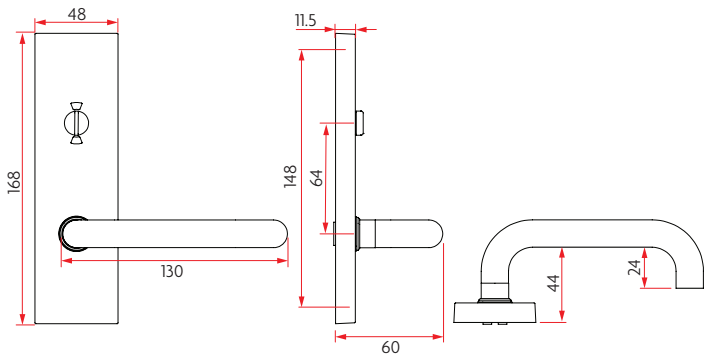
### DETAILS

2 x 50mm, 2 x 65mm fixings screws

### FINISH

SS - Satin Stainless Steel

## Concealed Fix Indicating Emergency Lever



### CODE

SAB-WPS-CIE-H01

SAB-WPS-CIE-D-H01

### DETAILS

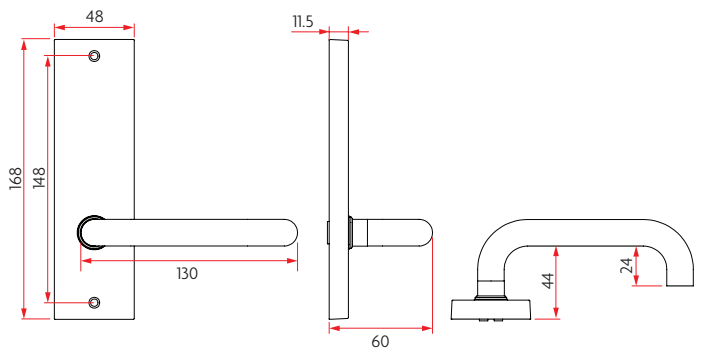
- Emergency slot for emergency opening
- Indicates red when locked
- Indicates green when unlocked
- 45mm x 6mm tail piece
- 2 x 50mm, 2 x 65mm fixings screws

### FINISH

SS - Satin Stainless Steel

CIE-H01 for use with Lockwood Synergy, Selector and Legge 990MF mortice locks and other commercial quality mortice locks with a greater than 45° turn rotation. CIE-D-H01 for use with Dormakaba 2600 and 2900 mortice locks.

## Visible Fix Lever Only



### CODE

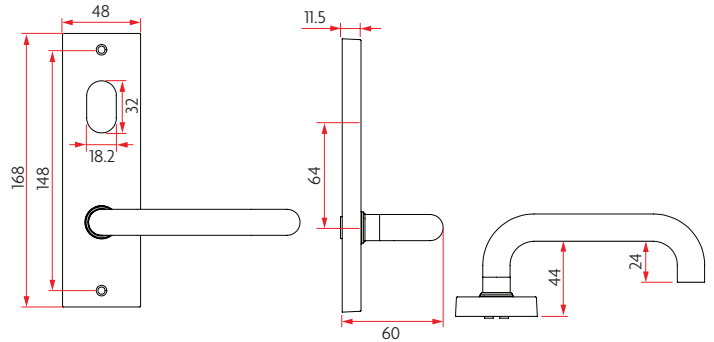
SAB-WPS-VLO-H01

### FINISH

SS - Satin Stainless Steel

# WIDE PLATE SQUARE END FURNITURE

## Visible Fix Lever and Cylinder



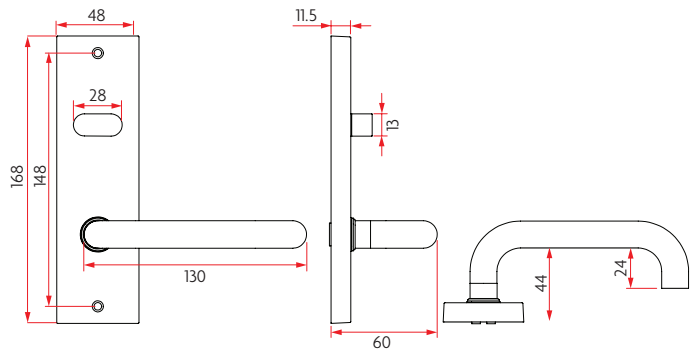
**CODE**

SAB-WPS-VCL-H01

**FINISH**

SS - Satin Stainless Steel

## Visible Fix Turn Lever



**CODE**

SAB-WPS-VTL-H01

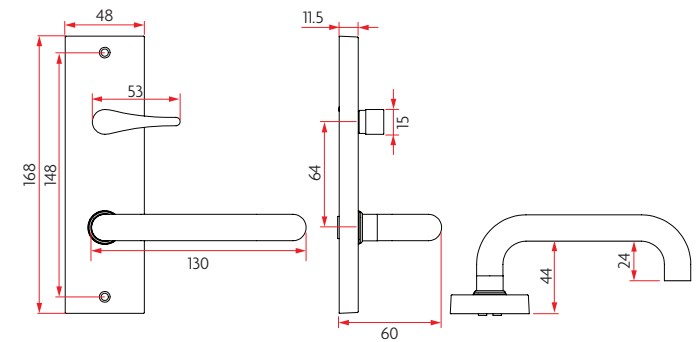
**FINISH**

SS - Satin Stainless Steel

**DETAILS**

45mm x 6mm tail piece

## Visible Fix Lever and Accessible Turn



**CODE**

SAB-WPS-VAL-H01-L (as shown)  
SAB-WPS-VAL-H01-R

**FINISH**

SS - Satin Stainless Steel

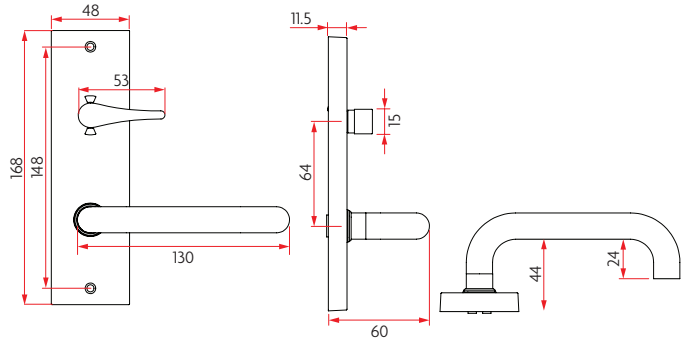
**DETAILS**

- LH: Suits right hand functioned locks
- RH: Suits left hand functioned locks
- 45mm x 6mm tail piece



# WIDE PLATE SQUARE END FURNITURE

## Visible Fix Indicating Accessible Lever



### CODE

SAB-WPS-VIA-H01-L (as shown)  
SAB-WPS-VIA-H01-R

### FINISH

SS - Satin Stainless Steel

### DETAILS

- Indicates red when locked
- Indicates green when unlocked
- LH: Suits right hand functioned locks
- RH: Suits left hand functioned locks
- 45mm x 6mm tail piece

