

WIDE PLATE SQUARE END FURNITURE

FOR USE WITH COMMERCIAL
MORTICE LOCKS

- Plate size 168mm x 48mm x 11.5mm
- Suitable for doors between 34mm and 50mm in thickness
- Non-handed lever (accessible turn functions are handed)
- Tested for durability for up to 500,000 cycles
- Manufactured from 304 grade stainless steel



WIDE PLATE SQUARE END FURNITURE

SPECIFICATIONS

The Sabre range of high quality investment cast stainless steel wide plate furniture combines functionality and durability. Tested and designed to withstand commercial and industrial applications with a variety of plate options to choose from. Stainless steel is the preferred

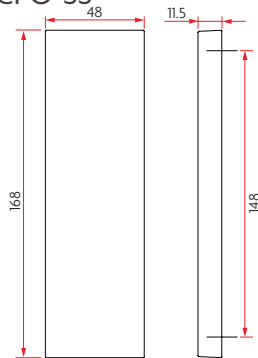
choice as there is no requirement for further plating processes that can be found harmful to the environment.

Sabre wide plate furniture can be used with most leading brands of commercial mortice locks and can be used in the majority of retrofit situations.

EXTERNAL FURNITURE

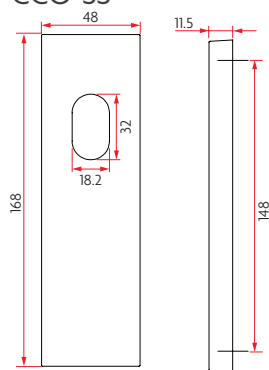
BLANK

Concealed Plate Only
SAB-WPS-CPO-SS



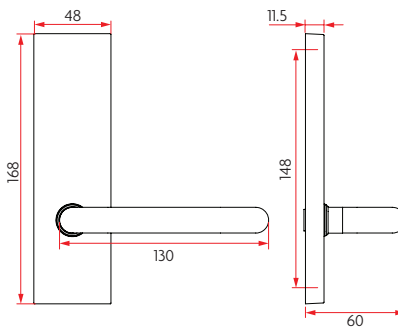
CYLINDER

Concealed Cylinder Only
SAB-WPS-CCO-SS



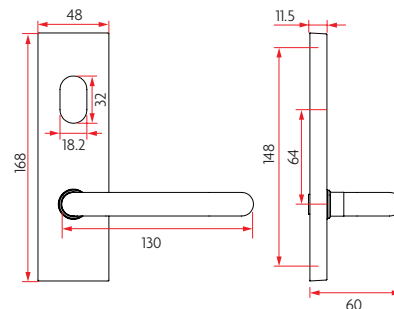
LEVER

Concealed Lever Only
SAB-WPS-CLO-H01-SS



LEVER AND CYLINDER

Concealed Cylinder Lever
SAB-WPS-CCL-H01-SS



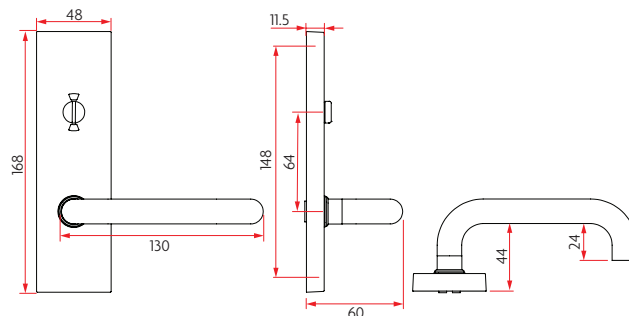
INDICATING LEVER AND EMERGENCY

Concealed Indicating Emergency Lever
SAB-WPS-CIE-H01-SS

For use with Lockwood Synergy, Selector and Legge 990MF mortice locks and other commercial quality mortice locks with a greater than 45° turn rotation.

SAB-WPSD-CIE-H01-SS

For use with Dormakaba 2600 and 2900 mortice locks.



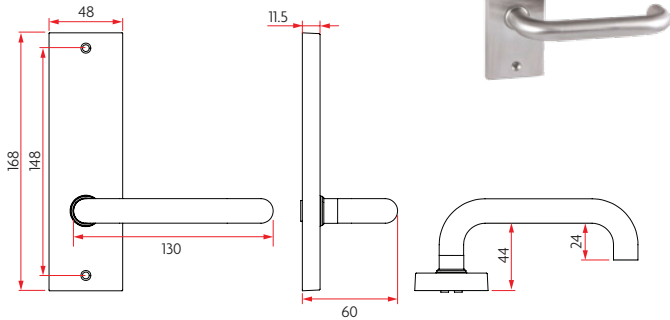
WIDE PLATE SQUARE END FURNITURE

INTERNAL FURNITURE

LEVER



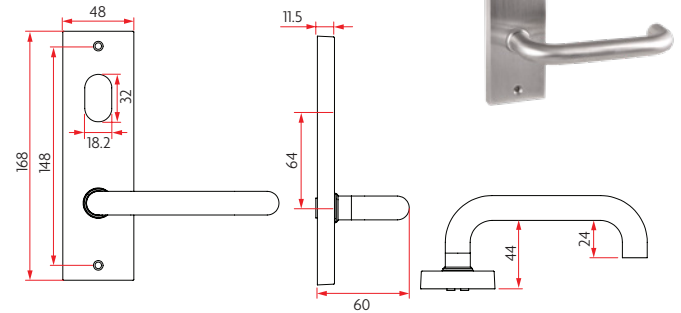
Visible Lever Only
SAB-WPS-VLO-H01-SS



LEVER AND CYLINDER

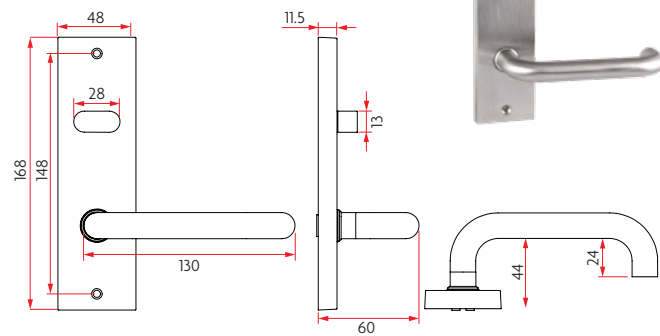


Visible Cylinder Lever
SAB-WPS-VCL-H01-SS



LEVER AND THUMB TURN

Visible Turn Lever
SAB-WPS-VTL-H01-SS

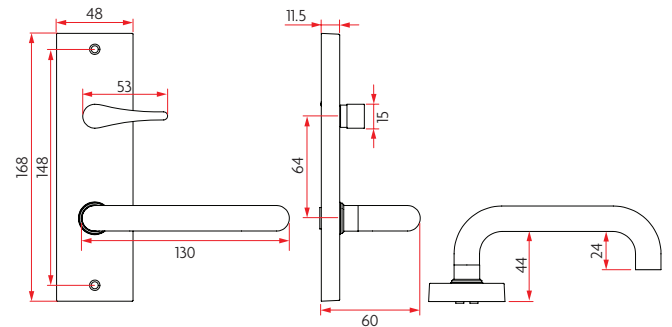


LEVER AND ACCESSIBLE TURN



Visible Accessible Lever
SAB-WPS-VAL-H01-L-SS (as shown)
SAB-WPS-VAL-H01-R-SS
SAB-WPSD-VAL-H01-L-SS*
SAB-WPSD-VAL-H01-R-SS*

* For use with Dormakaba 2600 and 2900 mortice locks.

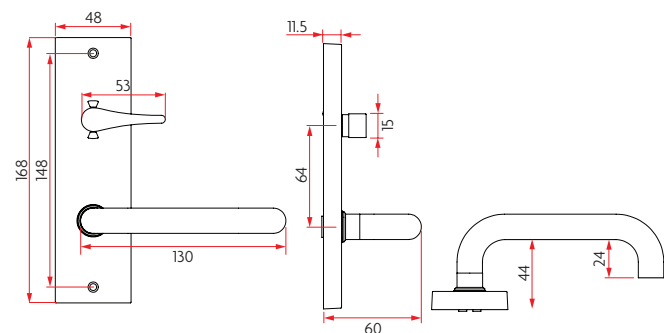


INDICATING LEVER AND ACCESSIBLE TURN



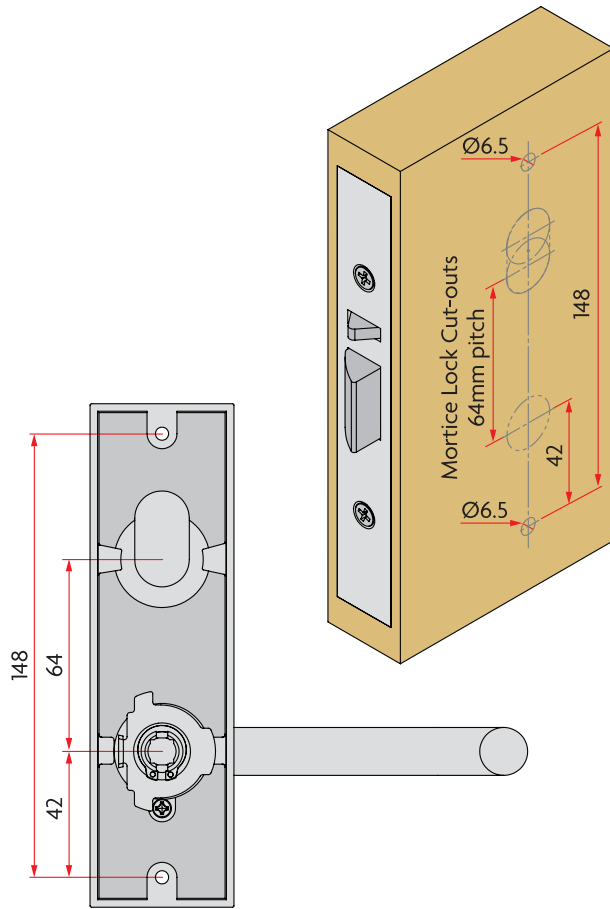
Visible Indicating Accessible Lever
SAB-WPS-VIA-H01-L-SS (as shown)
SAB-WPS-VIA-H01-R-SS
SAB-WPSD-VIA-H01-L-SS*
SAB-WPSD-VIA-H01-R-SS*

* For use with Dormakaba 2600 and 2900 mortice locks.



WIDE PLATE SQUARE END FURNITURE

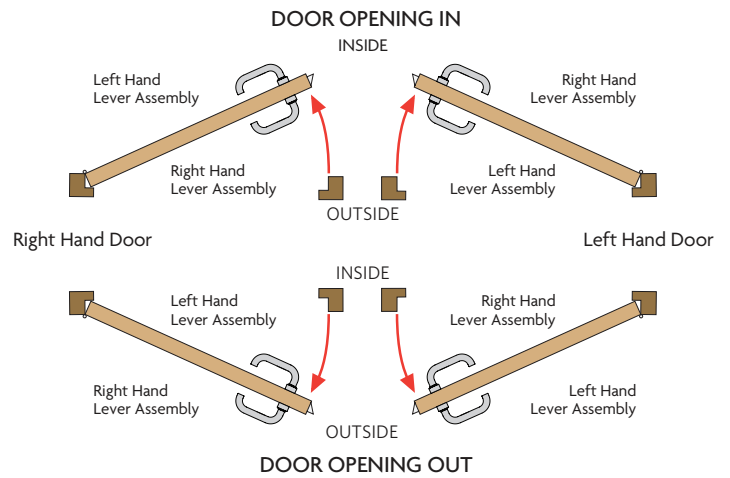
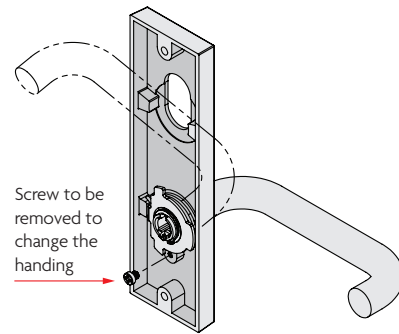
INSTALLATION AND FURNITURE DIAGRAM



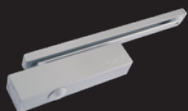
LEVER HANDING DIAGRAM

Lever handing is made easy by the use of a handling screw. The screws is also used as a stopping point so the lever returns back to the horizontal position by the way of the coil spring. It's important that the screws is replaced once the orientation of the lever is confirmed. The lever can be confirmed to be in the correct position once the locking latch can be retracted by pushing the lever downwards and returning to the horizontal position. The lever should not inhibit the door from closing. Simply rotate the lever as shown to suit the handling of your door.

Note: Accessible turn furniture is pre-assembled to suit door handing, refer to the Door Opening Diagram below for correct handing before ordering.



ACCESSORIES



SAB-DCCA515-SIL
515 Cam Action Closer



SAB-HI0000HD-SSS
Heavy Duty Hinge



SAB-PB02-300-SSS
Panic Bolt



SAB-CYL570-R
Oval Cylinder