

ENTRANCE HANDLES

SUITABLE FOR TIMBER, GLASS
AND ALUMINIUM DOORS

- Suitable for timber and aluminium doors up to 50mm thick
- Constructed from quality 304 stainless steel
- Back to back fixing as standard (other options available)
- Suitable for glass doors between 10-12mm thick
- Suitable for commercial and industrial applications
- 12mm diameter hole for glass installation
- AS1428.1 Compliant



ENTRANCE HANDLES

SPECIFICATIONS

The Sabre range of Entrance Handles are ideal for making those first impressions last. Made from durable and corrosion resistant 304 Stainless Steel material, there is sure to be one that suits your requirements. Most designs are available in various sizes and come

complete with all relevant fixing screws to suit your application. Special fixing options are also available to suit single sided fixing solutions.

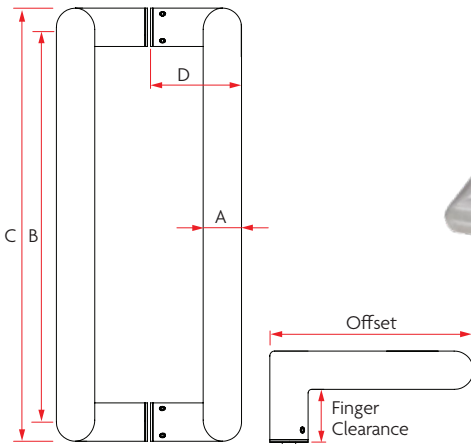
Note: All handle sets come complete with 2 x 100mm, 2 x 50mm M8 bolts and protective washers to suit.

ROUND

1151 ENTRANCE HANDLE

SAB-EH1151

- 170mm Offset
- 44mm Finger Clearance
- Radius Mitre Join for Safety

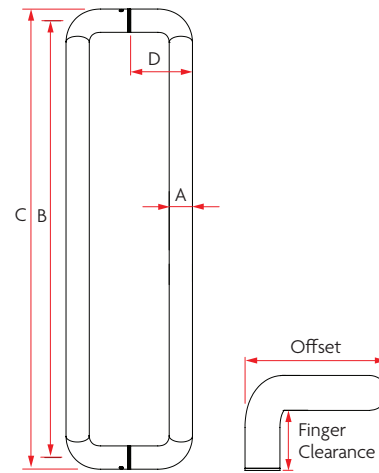


Code	Section (A)	Centres (B)	OA Length (C)	Project (D)
SAB-EH1151-300-SSS	32mm	300mm	332mm	76mm

1192 ENTRANCE HANDLE

SAB-EH1192

- 130mm Offset
- 45mm Finger Clearance

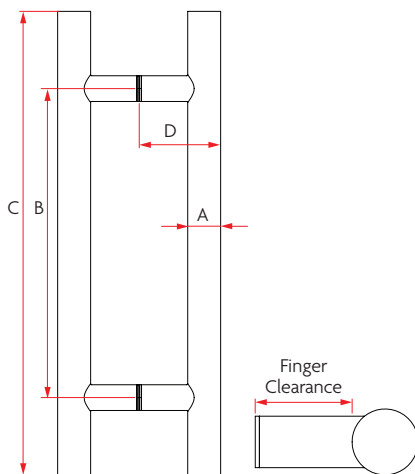


Code	Section (A)	Centres (B)	OA Length (C)	Project (D)
SAB-EH1192-600-SSS	32mm	600mm	632mm	77mm

1195 ENTRANCE HANDLE

SAB-EH1195

- 41mm Finger Clearance

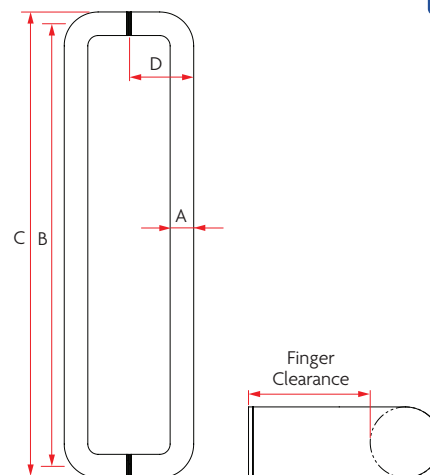


Code	Section (A)	Centres (B)	OA Length (C)	Project (D)
SAB-EH1195-450-SSS/BLK	32mm	300mm	450mm	73mm
SAB-EH1195-600-SSS	32mm	450mm	600mm	73mm

1222 ENTRANCE HANDLE

SAB-EH1222

- 45mm Finger Clearance



Code	Section (A)	Centres (B)	OA Length (C)	Project (D)
SAB-EH1222-300-SSS	32mm	300mm	332mm	77mm
SAB-EH1222-600-SSS	32mm	600mm	632mm	77mm

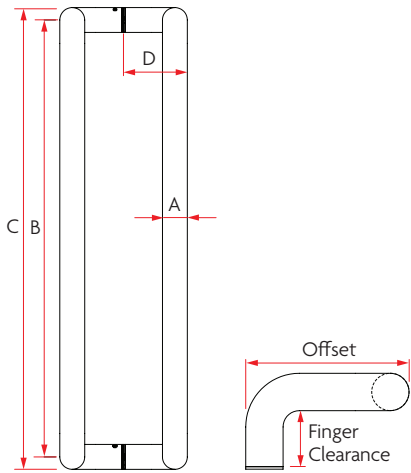
ENTRANCE HANDLES

ROUND

1231 ENTRANCE HANDLE

SAB-EH1231

- 140mm Offset
- 45mm Finger Clearance



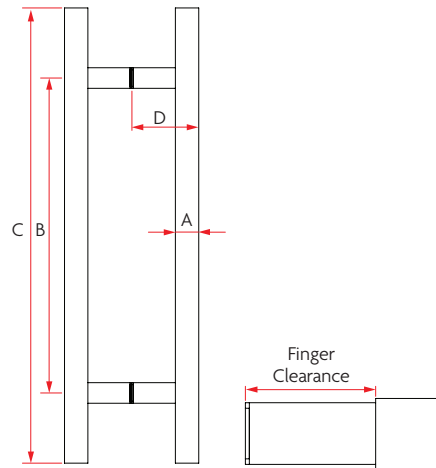
Code	Section (A)	Centres (B)	OA Length (C)	Project (D)
SAB-EH1231-300-SSS	32mm	300mm	332mm	77mm
SAB-EH1231-600-SSS	32mm	600mm	632mm	77mm

SQUARE

1145 ENTRANCE HANDLE

SAB-EH1145

- 44mm Finger Clearance

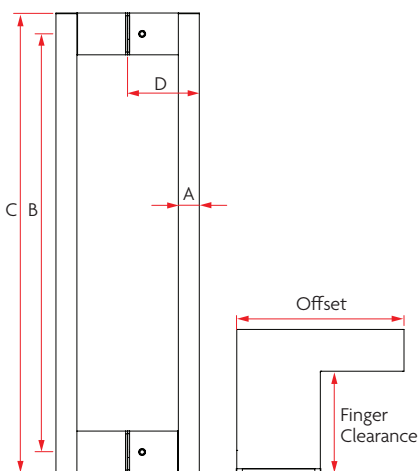


Code	Section (A)	Centres (B)	OA Length (C)	Project (D)
SAB-EH1145-450-SSS	25 x 25mm	300mm	450mm	69mm
SAB-EH1145-600-SSS	25 x 25mm	450mm	600mm	69mm

1233 ENTRANCE HANDLE

SAB-EH1233

- 60mm Offset
- 37mm Finger Clearance

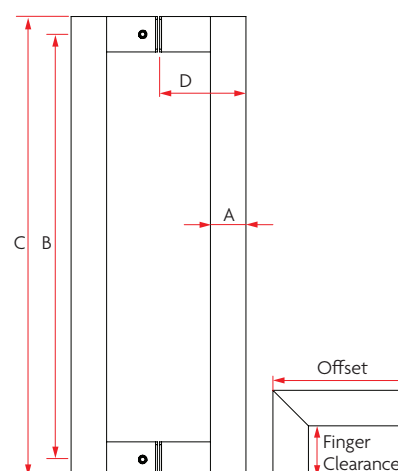


Code	Section (A)	Centres (B)	OA Length (C)	Project (D)
SAB-EH1233-300-SSS	30 X 30 X 15mm	300mm	330mm	52mm

1244 ENTRANCE HANDLE

SAB-EH1244

- 85mm Offset
- 37mm Finger Clearance



60mm ALSO AVAILABLE IN BLACK

Code	Section (A)	Centres (B)	OA Length (C)	Project (D)
SAB-EH1244-300-SSS	25 X 25mm	300mm	325mm	62mm
SAB-EH1244-450-SSS	25 X 25mm	450mm	475mm	62mm
SAB-EH1244-600-SSS/BLK	25 X 25mm	600mm	625mm	62mm

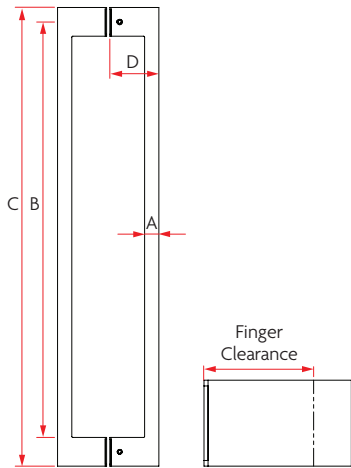
ENTRANCE HANDLES

RECTANGULAR

1213 ENTRANCE HANDLE

SAB-EH1213

- 37mm Finger Clearance



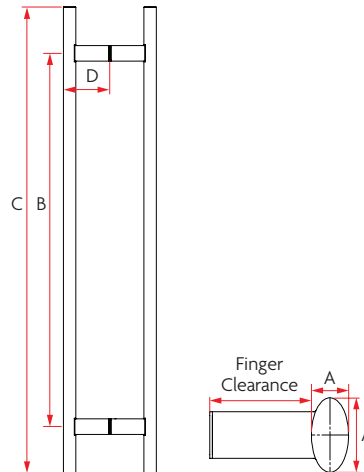
Code	Section (A)	Centres (B)	OA Length (C)	Project (D)
SAB-EH1213-450-SSS	30 X 15mm	450mm	480mm	52mm
SAB-EH1213-600-SSS	30 X 15mm	600mm	630mm	52mm

OVAL

1141 ENTRANCE HANDLE

SAB-EH1141

- 44mm Finger Clearance



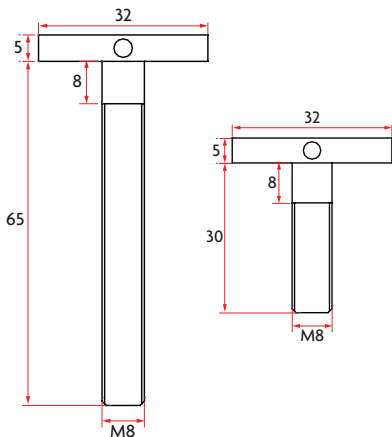
Code	Section (A)	Centres (B)	OA Length (C)	Project (D)
SAB-EH1141-750-SSS	40 x 20mm	600mm	750mm	64mm

ACCESSORIES

SINGLE SIDE - EXTERNAL PORTION FIXING KITS

SAB-EH-EXT-GLASS (30mm)
SAB-EH-EXT-TIMBER (65mm)

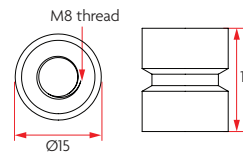
- 30mm version suitable for glass doors
- 65mm version suitable for timber and aluminium doors
- Both versions are for use with external portions of back to back entrance handle set



SINGLE SIDE - INTERNAL PORTION FIXING KITS

SAB-EH-INT-M8-BRASS

- For use with internal portion of back to back entrance handle set.
Note: This will need to be combined with a suitable external portion fixing kit.



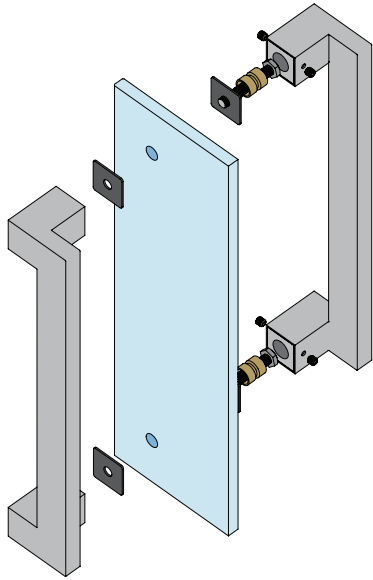
ENTRANCE HANDLES

FIXING DIAGRAMS

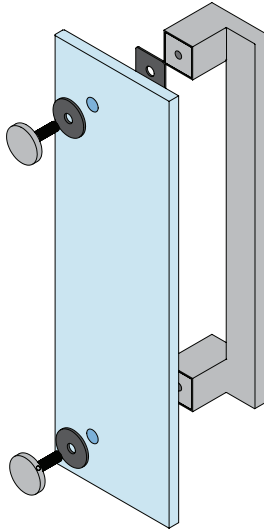
Door Preparation: a 12mm diameter hole must be drilled to allow for fixing of handle.

GLASS DOOR FIXING

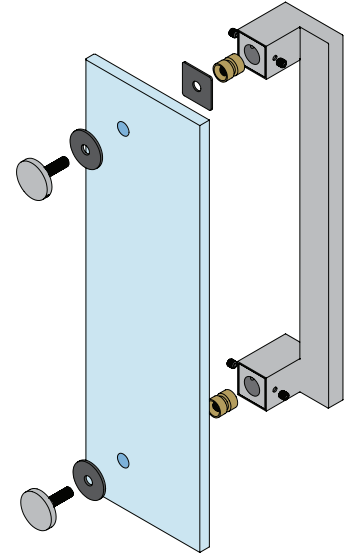
Standard back to back fixing



Single sided external portion fixing
(SAB-EH-EXT-GLASS)

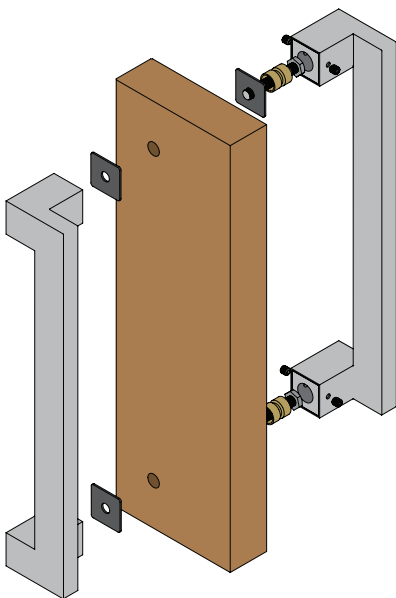


Single sided internal portion fixing
(SAB-EH-INT-M8-BRASS)
(SAB-EH-EXT-GLASS)

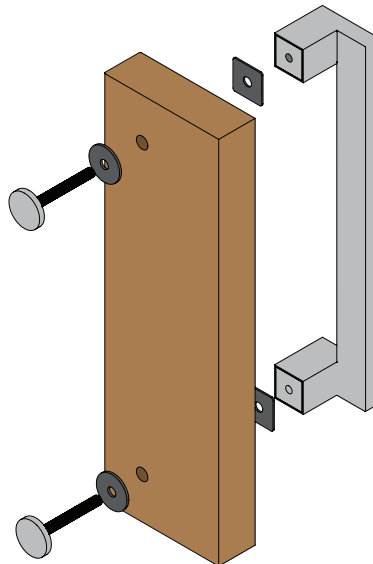


TIMBER AND ALUMINIUM DOOR FIXING

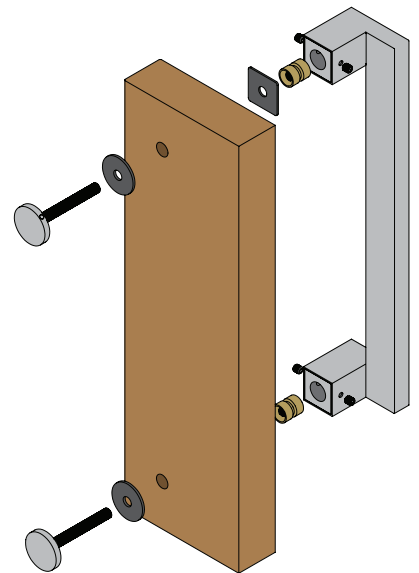
Standard back to back fixing



Single sided external portion fixing
(SAB-EH-EXT-TIMBER)



Single sided internal portion fixing
(SAB-EH-INT-M8-BRASS)
(SAB-EH-EXT-TIMBER)



RELATED PRODUCTS



850 Series Transom Closer



590 Series Short Backset
Swing Deadlocks