

SABRE[®]

ARCHITECTURAL

accesshardware BUSINESS REWARDS



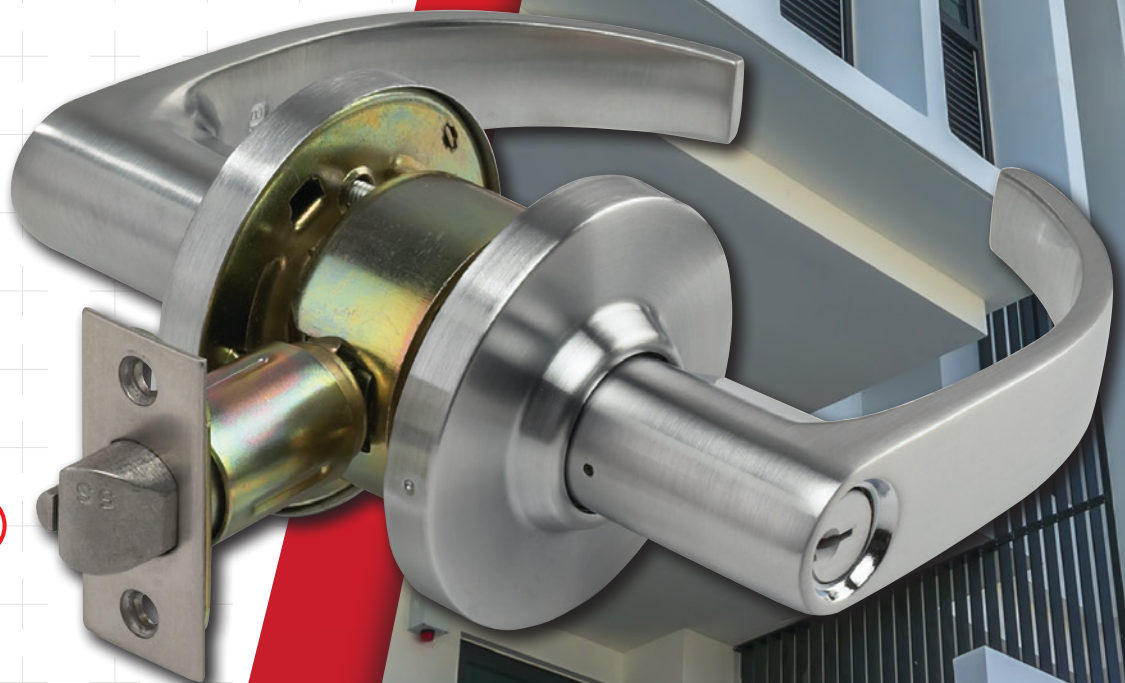
Your business can earn Qantas Points with us*.

*Find out more by calling Access Hardware customer service on 1800 555 600 or visit accesshardware.com.au. T&Cs apply. qantasbusinessrewards.com/terms and accesshardware.com.au/qbr

400 SERIES

CYLINDRICAL LEVER LOCKSETS

- Suitable for master keying and restricted systems
- 6 pin C4 brass PD cylinder
- Rose diameter 75mm
- Heavy duty cylindrical chassis
- Stainless steel latch
- Standard 70mm backset
- Suits door thicknesses between 35-50mm
- Non handed
- 2 keys included (Locking Functions)
- 60mm backset latches sold separately
- Suits 54mm cross bore
- Exceeds 400,000 cycles



400 SERIES LEVER LOCKSETS

FUNCTIONS

The 400 Series Cylindrical Lever Locksets are manufactured to semi-commercial standards. Its design purpose is for use in apartment complexes or office fit-outs. Its unique spring rose mechanism aids in providing effortless smooth operation.

Keying: The 400 Series can be keyed to most restricted profiles and construction keying requirements.

Finish: Satin Chrome

ENTRANCE SET

SAB-LL400-70-SC

Outside: Operated by handle when unlocked. Key unlocks handle and retracts latch.

Inside: Push button locks outside handle. Inside handle always unlocks outside handle. Opened by handle at all times.



PRIVACY SET

SAB-LL401-70-SC

Outside: Operated by handle when unlocked. Use of emergency slot unlocks handle.

Inside: Push button locks outside handle. Inside handle always unlocks outside handle. Inside lever is always unlocked providing emergency exit.



PASSAGE SET

SAB-LL402-70-SC

Outside: Opened by handle at all times.

Inside: Opened by handle at all times.



STOREROOM SET

SAB-LL403-70-SSS

Outside: Key retracts latch. Handle is always locked (rigid).

Inside: Opened by handle at all times.



CLASSROOM SET

SAB-LL404-70-SC

Outside: Operated by handle when unlocked. Key locks or unlocks handle.

Inside: Opened by handle at all times.



STOREROOM SET

SAB-KL410-70-SC

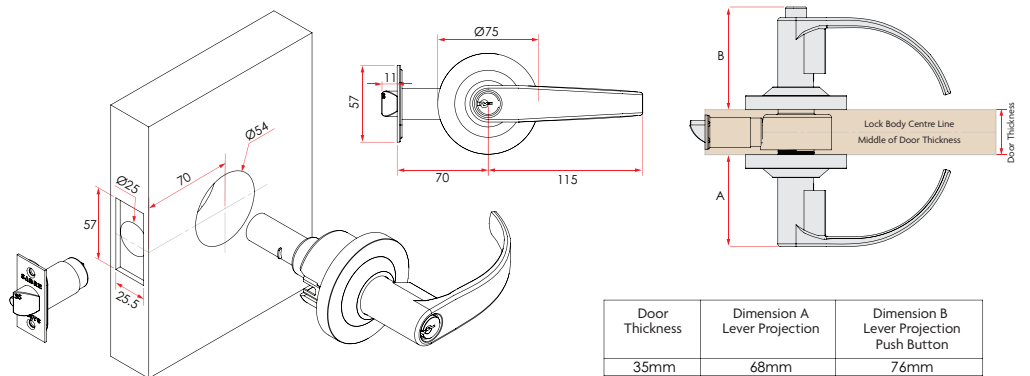
Outside: Key retracts latch. Handle is always locked (rigid).

Inside: Opened by handle at all times.



DIMENSIONS

- 54mm Cross Bore
- 25mm Edge Bore
- Standard 70mm Backset
- 60mm Backset Latches Sold Separately



Door Thickness	Dimension A Lever Projection	Dimension B Lever Projection Push Button
35mm	68mm	76mm
50mm	60mm	68mm

CYLINDRICAL LOCKSETS



300 Series



400 Series



450 Series 



500 Series

SABRE
ARCHITECTURAL

www.sabre.com.au