

SABRE[®]

ARCHITECTURAL

accesshardware

BUSINESS
REWARDS



Your business can earn
Qantas Points with us*.

*Find out more by calling Access Hardware customer service on 1800 555 600 or visit accesshardware.com.au. T&Cs apply.

qantasbusinessrewards.com/terms and accesshardware.com.au/qbr

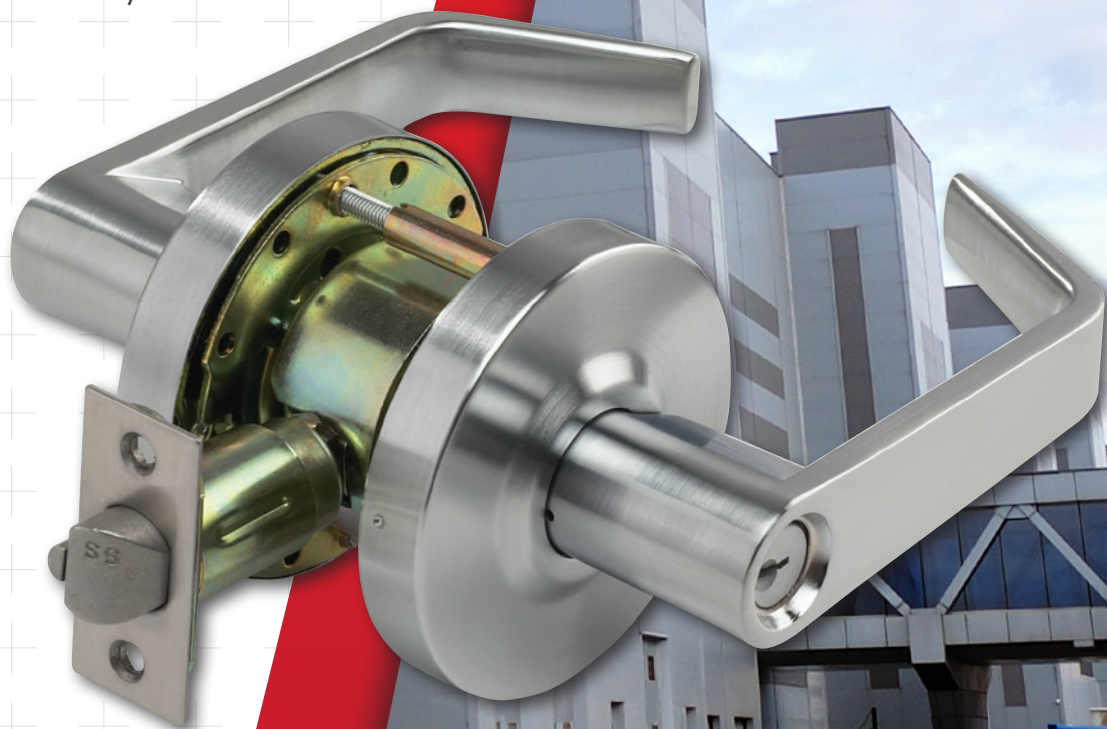
500 SERIES

CYLINDRICAL LEVER LOCKSETS

- Suitable for master keying and restricted systems
- 6 Pin C4 brass PD cylinder
- Rose diameter 85mm
- Heavy duty cylindrical chassis
- Stainless steel latch
- Standard 70mm backset
- Suits door thicknesses between 35-45mm
- Non handed
- 2 keys included (Locking Functions)
- Exceeds 400,000 cycles



HEAVY DUTY



500 SERIES LEVER LOCKSETS

FUNCTIONS

The 500 Series Cylindrical Lever Locksets are built to last. Industrial strength the 500 Series are ideal for those high traffic areas.

Keying: The 500 Series can be keyed to most restricted profiles and construction keying requirements.

Finish: Satin Chrome

ENTRANCE SET

SAB-LL500-70-SC

Outside: Operated by handle when unlocked. Key unlocks handle and retracts latch.

Inside: Push button locks outside handle. Inside handle always unlocks outside handle. Opened by handle at all times.



PRIVACY SET

SAB-LL501-70-SC

Outside: Operated by handle when unlocked. Use of emergency slot unlocks handle.

Inside: Push button locks outside handle. Inside handle always unlocks outside handle. Inside lever is always unlocked providing emergency exit.



PASSAGE SET

SAB-LL502-70-SC

Outside: Opened by handle at all times.

Inside: Opened by handle at all times.



STOREROOM SET

SAB-LL503-70-SSS

Outside: Key retracts latch. Handle is always locked (ridgid).

Inside: Opened by handle at all times.

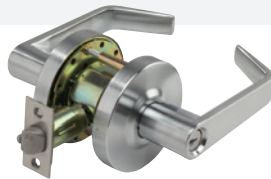


CLASSROOM SET

SAB-LL504-70-SC

Outside: Operated by handle when unlocked. Key locks or unlocks handle.

Inside: Opened by handle at all times.



INSTITUTIONAL SET

SAB-LL505-70-SC

Outside: Key retracts latch. Handle is always locked (ridgid).

Inside: Key retracts latch. Handle is always locked (ridgid).

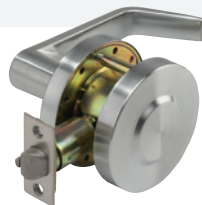


EXIT ONLY

SAB-L506-70-SC

Outside: Blank Rose.

Inside: Opened by handle at all times.



STOREROOM SET

SAB-KL510-70-SC

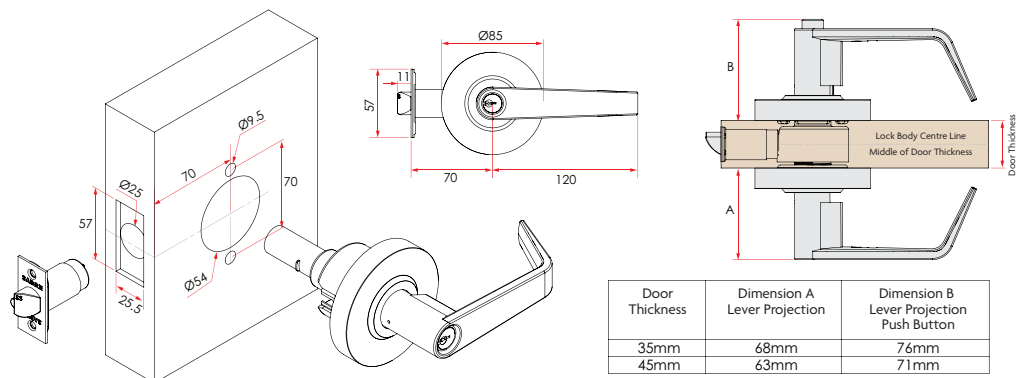
Outside: Key retracts latch. Handle is always locked (ridgid).

Inside: Opened by handle at all times.



DIMENSIONS

- 54mm Cross Bore
- 25mm Edge Bore
- 2 x 9.5mm Bolt Fixing (removable)
- Standard 70mm Backset
- 60mm Backset Latches Sold Separately



CYLINDRICAL LOCKSETS



300 Series



400 Series



450 Series



500 Series