

SABRE®

RESIDENTIAL

EURO MORTICE LOCK AND FURNITURE

OPEN CASE SUITABLE
FOR METAL DOORS

- Available backsets 25mm, 30mm and 35mm
- 85mm pitch (spindle to cylinder)
- Easy to reverse latch (non handed)
- 15mm deadbolt throw
- 10mm latch throw
- Key operated latch retraction
- Operates with fixed cam cylinder (sold separately)
- Universal strike plate
- Suits 7.6mm and 8mm spindle



EURO MORTICE LOCK AND FURNITURE

SPECIFICATIONS

The Sabre Residential Euro Narrow Style Backset Mortice Lock range is suitable for light to medium duty aluminium and metal door applications. Combined with narrow style long plate door furniture this locking option provides you with an economical, yet fashionable security solution for your home. Locking options can be selected by

using double cylinder for extra security or cylinder and turn when convenience is important. No matter what locking option you choose, you can feel confident that the Sabre Residential Euro Mortice Locks will provide you with a security option you need.

25MM BACKSET

SAB-EML85-25-SSS

- Suitable for 30mm wide narrow style plate furniture
- 85mm pitch
- Operated with fixed cam cylinder



30MM BACKSET

SAB-EML85-30-SSS

- Suitable for 30mm wide narrow style plate furniture
- 85mm pitch
- Operated with fixed cam cylinder



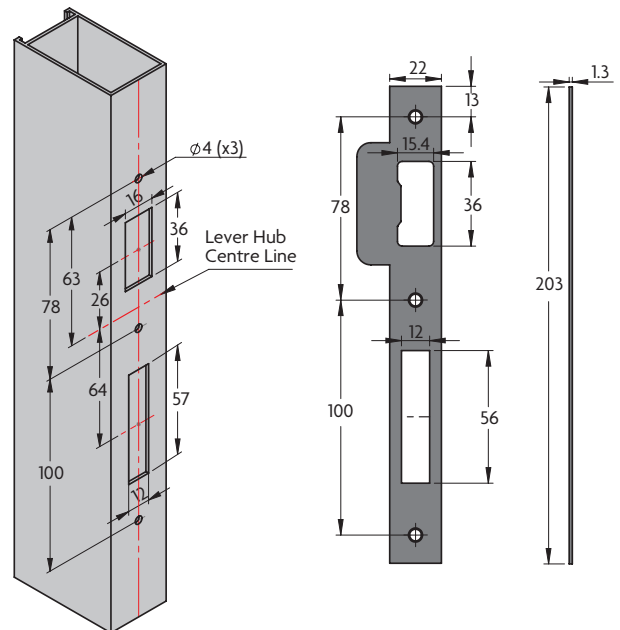
35MM BACKSET

SAB-EML85-35-SSS

- Suitable for 30mm wide narrow style plate furniture
- 85mm pitch
- Operated with fixed cam cylinder

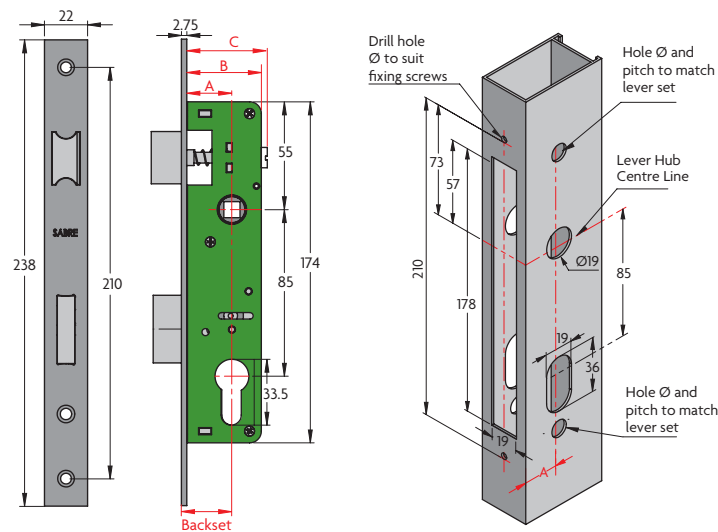


STRIKE PREP - FACE FIXING

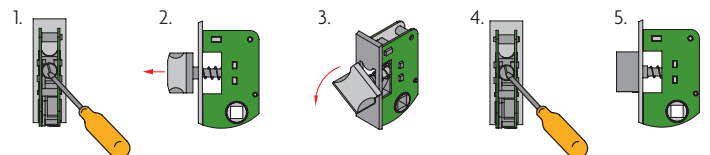


DOOR PREP - FACE FIXING

Code	Backset	Dimension A	Dimension B	Dimension C (when bolt retracted)
SAB-EML85-25-SSS	25mm	23mm	38mm	41mm
SAB-EML85-30-SSS	30mm	28mm	43mm	46mm
SAB-EML85-35-SSS	35mm	33mm	48mm	51mm



HANDING



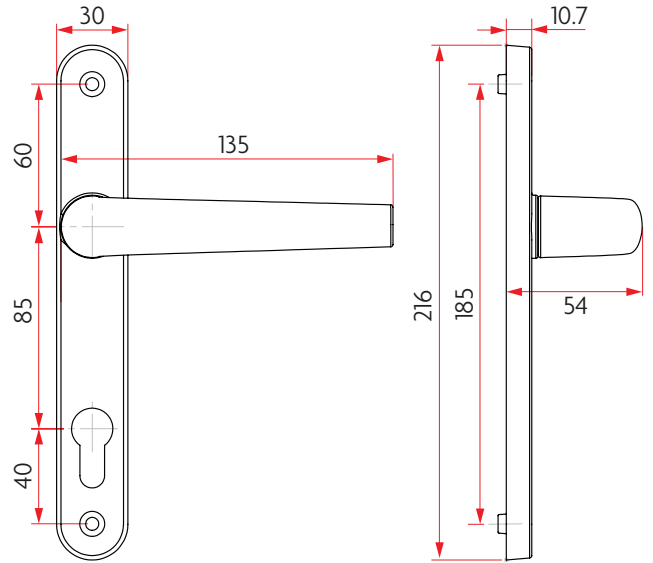
- Unscrew latch handing screw at rear of lock as shown. (Drawing 1)
- Pull out latch past face plate and rotate to suit correct handing. (Drawing 2 and 3)
- Once confirmed tighten handing screw until latch cannot be rotated within face plate. (Drawing 4 and 5)

EURO MORTICE LOCK AND FURNITURE

PLATE FURNITURE

SAB-EFB-85-L01-BLK

- No handed
- 85mm pitch
- Tested up to 200,000 cycles

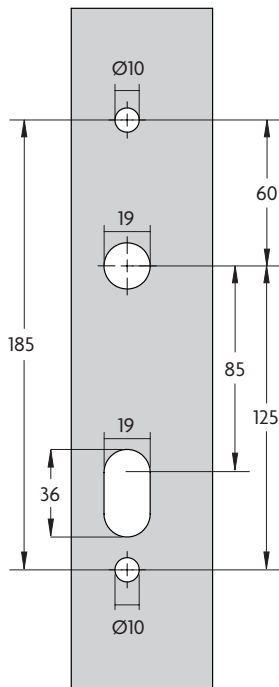


COMPONENTS

Spindle Kit	MIN Door Thickness	Recommended Cylinder Length	MAX Door Thickness	Recommended Cylinder Length
75mm	33mm	60mm	40mm	70mm



DOOR FURNITURE PREP



ASSEMBLY



RELATED PRODUCTS



SAB-H104FFBB-SSS
Heavy Duty Hinges



Fast Fix Hinges
Satin Stainless Steel



SAB-DC625-SIL
625 Door Closer

SABRE
RESIDENTIAL

www.sabre.com.au