

General Hardware



SABRE

ARCHITECTURAL

As a brand, Sabre Hardware has been a part of the architectural construction supply landscape for over 40 years. Originally launched by Specialty Hardware in Sydney, Sabre became part of the family-owned Access Hardware Group in 2010, facilitating more product investment and development to meet changing market demands.

Our strategic partnerships with manufacturers in the United States, China, Taiwan and Australia have been a cornerstone of our ability to meet customer needs. We will continue to invest in these partnerships to deliver on our mission statement; to always strive to offer quality hardware solutions at the right price. Before a product is branded Sabre, it is rigorously tested to ensure it meets market expectations.

The Sabre product range covers common product categories such as door controls, locksets, entrance handles, general hardware and commercial washroom equipment. Sabre branded products are dispatched daily to all states and territories around Australia.



10 Year Mechanical Warranty



Made from 304 Stainless Steel



5 Year Mechanical Warranty



AS1428.1 Compliant



25 Year Warranty



Heavy Duty



Fire Rated

Fire rated

General Hardware

Automatic Flush Bolts

Panic Bolts

Panic Bolt Accessories

Flush Bolts (Timber and Aluminium)

Barrel Bolts

Bolt Accessories

Door Stops

Heavy Duty Hinges

Hinges

Push/Pull Plates and Pull Handles

Strike Shields

Flush Pulls

Door Accessories

AUTOMATIC FLUSH BOLTS

SUITABLE FOR TIMBER, METAL AND ALUMINIUM DOORS

Automatic Flush Bolts can be installed in the top and bottom of the inactive door. Closing the active door automatically extends the bolts locking the inactive door. Opening the active door retracts the bolts releasing the inactive door.

Overload Feature: The over load feature prevents damage to doors or bolts should the bolt head be unable to extend into the top and bottom strikes.

Low Closing Force: Patented free floating cams requires less than 2.5kg closing force of the active door to extend both top and bottom bolts.

Adjustable Bolt Heads: Bolts can be vertically adjusted for unusual clearances. An adjustment of 31.2mm is available for the 840 Series and 12.5mm for the 940 Series.

- Suitable for double doors
- Self latching adjustable bolts
- Top and bottom installation
- Minimum door thickness 35mm
- 19mm bolt throw
- Overload feature and low closing force
- Non handed



Fire Rated



840 Flush Bolt - Metal Doors



CODE

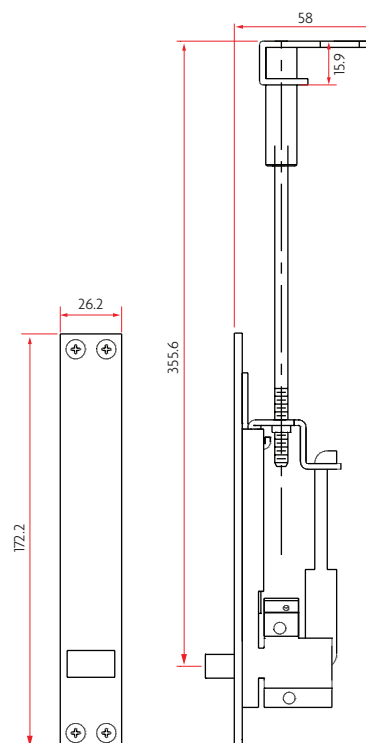
SAB-FB840

FINISH

SSS - Satin Stainless Steel

DETAILS

840 Series are suitable for aluminium and metal door pairs.



AUTOMATIC FLUSH BOLTS

940 Auto Flush Bolt - Timber Doors



CODE

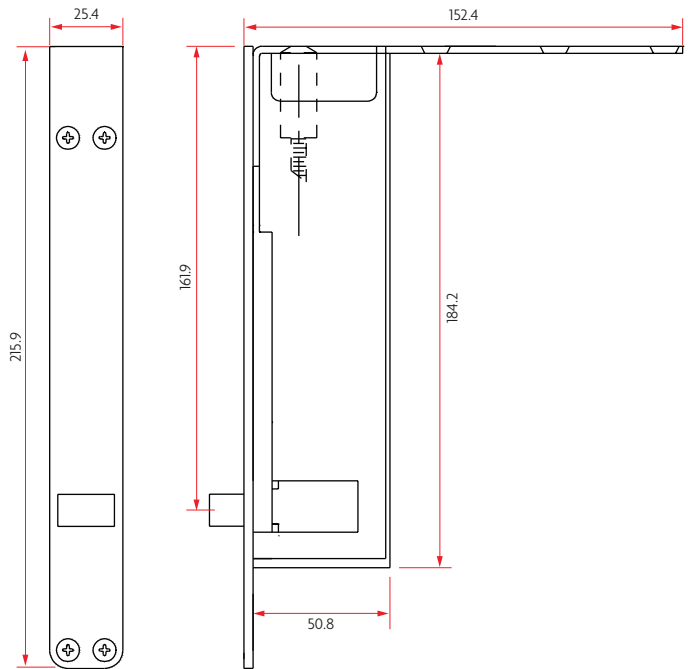
SAB-FB940

FINISH

SSS - Satin Stainless Steel

DETAILS

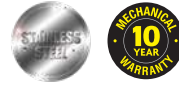
940 Series are suitable for timber door pairs.





PANIC BOLTS

The Sabre concealed and visible fix panic (skeleton) bolts are designed for use in commercial applications where small bolt fixing methods may be inadequate. They can be installed on timber and metal doors including gates. Made from 304 stainless steel which provide strength and durability. Sabre panic bolts also include our unique bolt slide technology which has been proven to provide smooth and dependable operation when tested against its competitors. Panic bolts are normally used on the inactive leaf of double doors where emergency egress is not required.



Panic Bolt Concealed Fix



CODE

SAB-PB01-300 SAB-PB01-900
 SAB-PB01-450 SAB-PB01-1200
 SAB-PB01-600

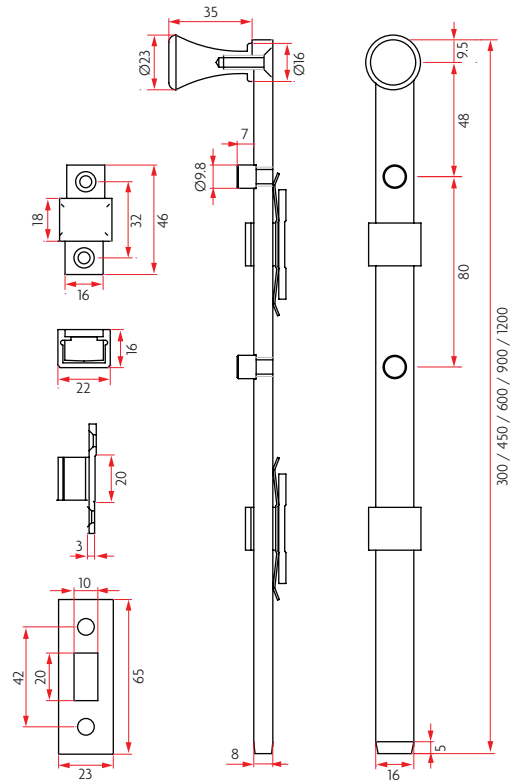
FINISH

SSS - Satin Stainless Steel

DETAILS

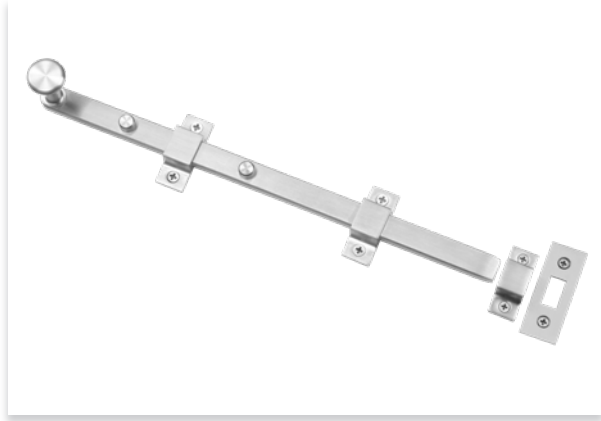
Lengths include: 300mm, 450mm, 600mm, 900mm, 1200mm.

- Timber fixings are supplied as standard including mounting saddles and floor plate.
- 50mm throw



PANIC BOLTS

Panic Bolt Visible Fix



CODE

SAB-PB02-300 SAB-PB02-900
 SAB-PB02-450 SAB-PB02-1200
 SAB-PB02-600

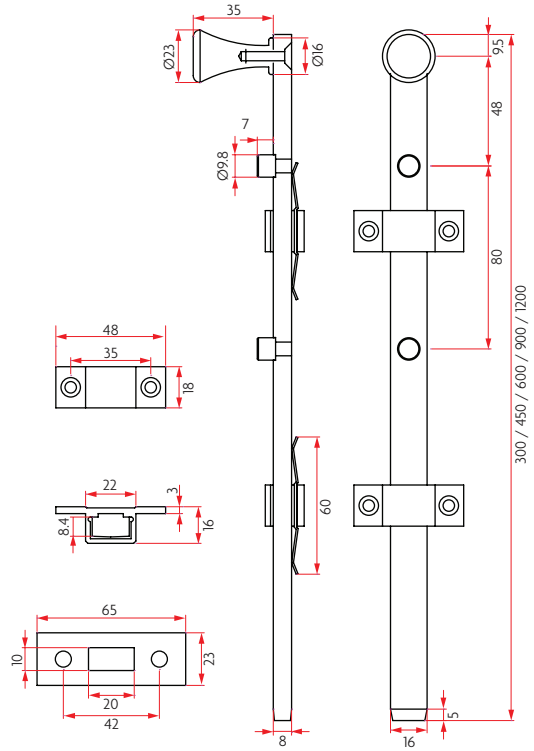
FINISH

SSS - Satin Stainless Steel

DETAILS

Lengths include: 300mm, 450mm, 600mm, 900mm, 1200mm.

- Timber fixings are supplied as standard including mounting saddles and floor plate.
- 50mm throw



Panic Bolt Visible Fix - Offset



CODE

SAB-PB03-450
 SAB-PB03-600
 SAB-PB03-450-80

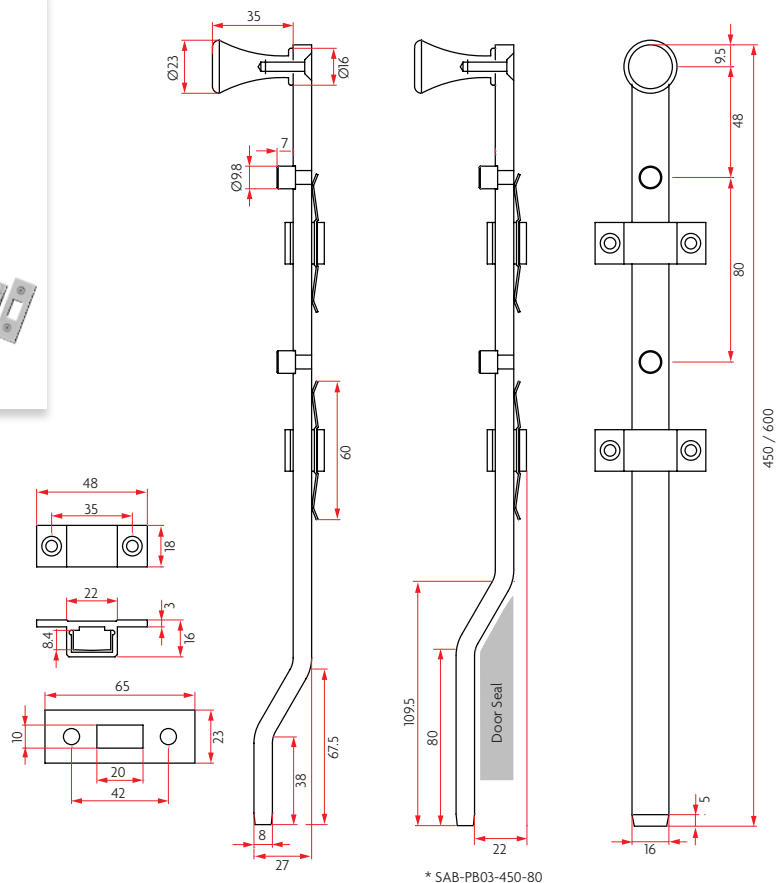
FINISH

SSS - Satin Stainless Steel

DETAILS

Lengths include: 450mm, 600mm

- Timber fixings are supplied as standard including mounting saddles and floor plate.
- 50mm throw
- SAB-PB03-450-80 is suitable for some brands of surface mounted door seals



* SAB-PB03-450-80

PANIC BOLTS

Panic Bolt Concealed Fix - Offset



CODE

SAB-PB04-450
SAB-PB04-600

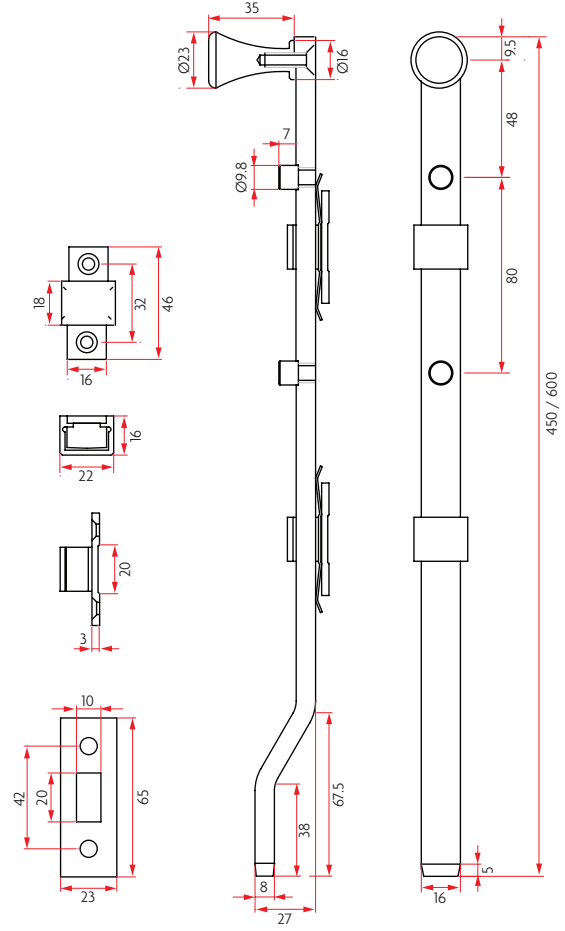
FINISH

SSS - Satin Stainless Steel

DETAILS

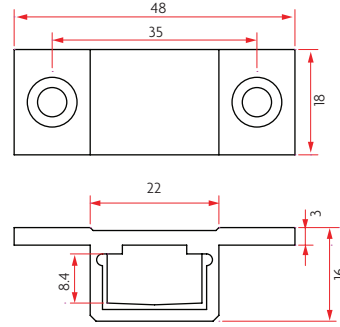
Lengths include: 450mm, 600mm

- Timber fixings are supplied as standard including mounting saddles and floor plate.
- 50mm throw



PANIC BOLTS - SPARE PARTS

Visible Saddle



CODE

SAB-PBSP-VIS

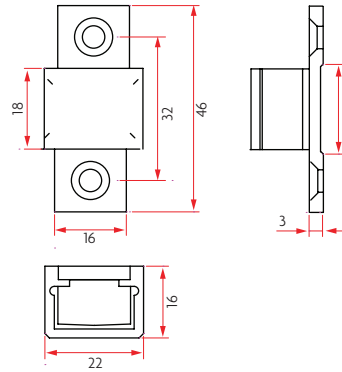
FINISH

SSS - Satin Stainless Steel

DETAILS

- 2x 6g x 25mm timber screws
- Includes tension spring

Concealed Saddle



CODE

SAB-PBSP-CON

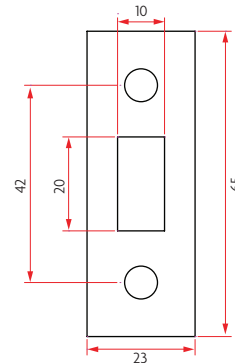
FINISH

SSS - Satin Stainless Steel

DETAILS

- 2x 6g x 25mm timber screws
- Includes tension spring

Strike Plate/Floor Plate



CODE

SAB-PBSP-SP

FINISH

SSS - Satin Stainless Steel

DETAILS

- 2x 6g x 25mm timber screws

PANIC BOLTS - SPARE PARTS

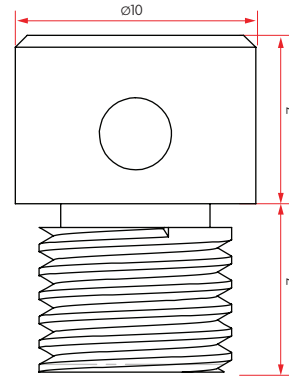
Bolt Stop



CODE
SAB-PBSP-BS

FINISH
SSS - Satin Stainless Steel

DETAILS
Supplied in packs of 10



FLUSH BOLTS

SUITABLE FOR TIMBER AND METAL DOORS

The Sabre range of timber, aluminium and metal door flush bolts are ideal in concealing the bolt mechanism of double doors. If installed on the doors edge the bolt can only be operated if the active door is open. If securing is not a priority installation can also be made on the internal door face for easier access however door thick can reduce the ability to install in this method.

- Extension rod suits aluminium type flush bolts
- Commonly used on double doors to lock the inactive leaf
- Designed for flush installation
- Commonly installed on both the top and bottom of door
- Concealed installation on non-rebated doors.
- Visible installation on rebated doors
- Timber flush bolts have a 25mm throw and a 10mm bolt diameter
- Aluminium flush bolts have a 18mm throw and a 12mm bolt diameter



Aluminium Flush Bolts



CODE

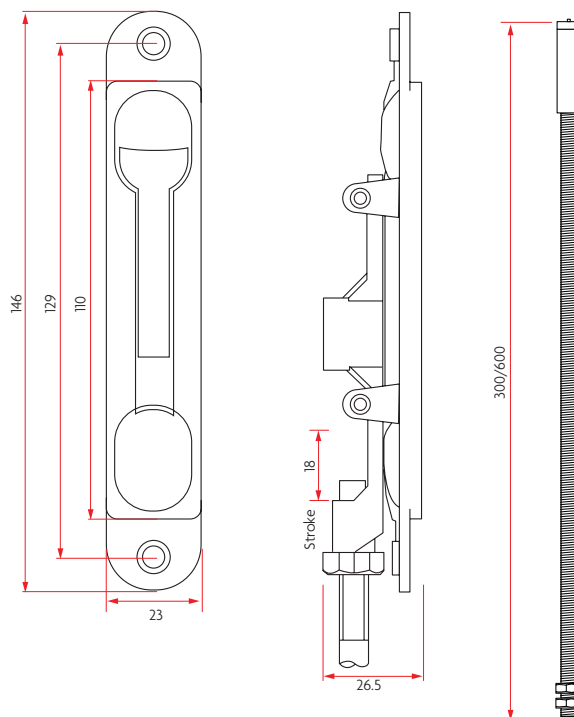
- SAB-FB-A-300 (includes rod)
- SAB-FB-A-600 (includes rod)
- SAB-FB-A (body only)

FINISH

CA - Clear Anodised

DETAILS

- Made from Die Cast Zinc Alloy Body
- Suitable for aluminium or metal doors
- 18mm throw
- 12mm bolt diameter
- 8mm threaded bolt



FLUSH BOLTS

Timber Flush Bolt



CODE

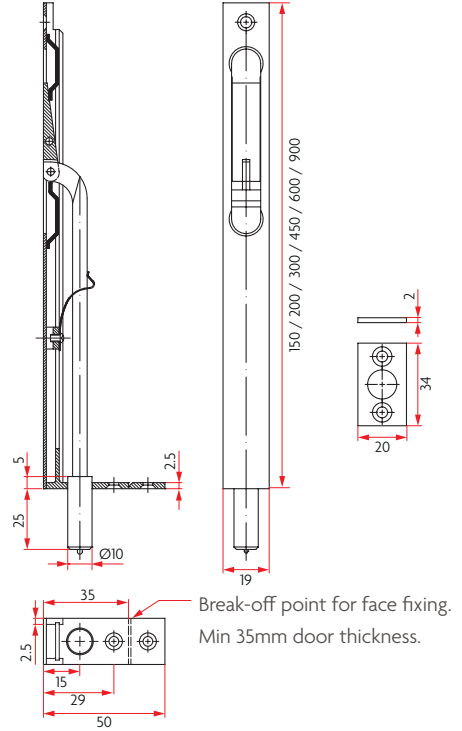
SAB-FB-T-150	SAB-FB-T-450
SAB-FB-T-200	SAB-FB-T-600
SAB-FB-T-300	SAB-FB-T-900

FINISH

SC - Satin Chrome

DETAILS

- Can be installed on door face (visible) or door edge (concealed)
- 25mm throw
- Includes centre locating tip for accurate bolt throw



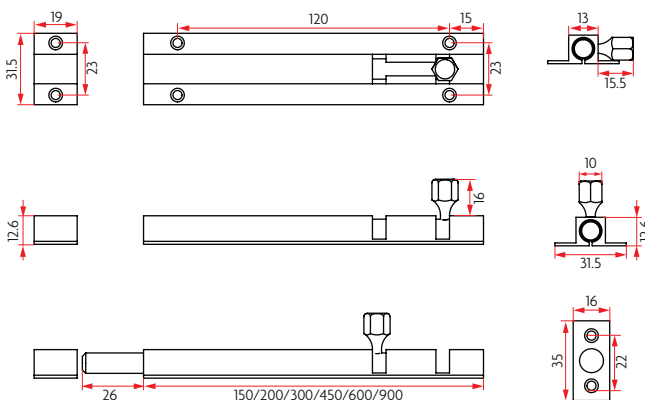
BARREL BOLTS

Sabre barrel bolts are recommended for use on internal double doors. They are commonly installed on both the top or bottom of the doors to ensure the inactive leaf remains rigid so the active door can be latched or locked. Sabre barrel bolts are available in varying lengths to accommodate different height doors and an extended throw model in 150mm for when the gaps between doors and frames are larger. Sabre's unique off-set barrel bolts allow the bolt handle to be folded away like the standard barrel bolts which is rarely found in other brands of barrel bolts on the market. If you prefer a more appealing option Sabre also offers a reverse model that sits flush with the door surface rather than protruding from the door face like the other barrel bolts. All barrel bolts come with an extruded brass body and Stainless or Steel bolts for strength and longevity.

- Brass extruded body
- Bolt throw 25mm, long throw 45mm
- Standard, long throw and necked barrel bolts have a stainless steel bolt
- Reverse barrel bolt have a steel bolt
- Off-set barrel bolts have unique fold away handle lock mechanism
- 9mm bolt diameter
- Standard fixing screws and strike plates supplied



Barrel Bolt - Standard



CODE

- | | |
|--------------|--------------|
| SAB-BB01-150 | SAB-BB01-450 |
| SAB-BB01-200 | SAB-BB01-600 |
| SAB-BB01-300 | SAB-BB01-900 |

FINISH

SC - Satin Chrome

DETAILS

- 9mm stainless steel bolt
- Extruded brass body
- 25mm bolt throw
- Includes fixings and strike plate

BARREL BOLTS

Barrel Bolt - Long Throw



CODE

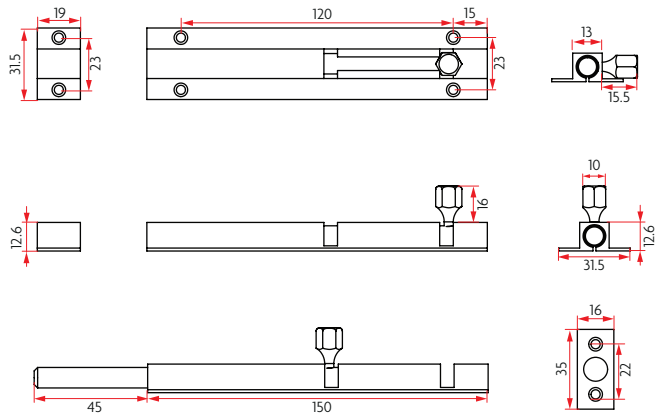
SAB-BB02-150

FINISH

SC - Satin Chrome

DETAILS

- 9mm stainless steel bolt
- Extruded brass body
- 45mm bolt throw
- Includes fixings and strike plate



Barrel Bolt - Necked



CODE

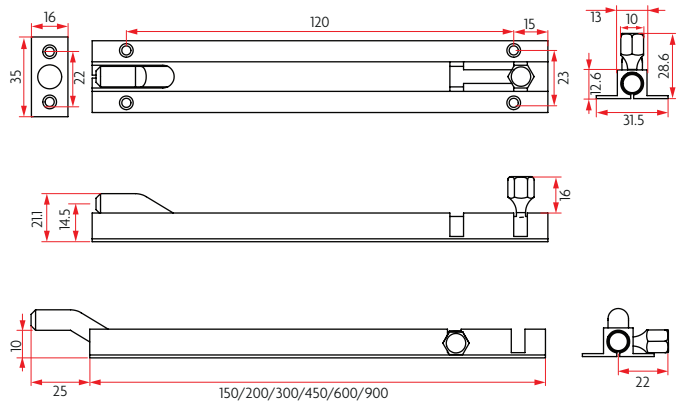
SAB-BB03-150 SAB-BB03-450
 SAB-BB03-200 SAB-BB03-600
 SAB-BB03-300 SAB-BB03-900

FINISH

SC - Satin Chrome

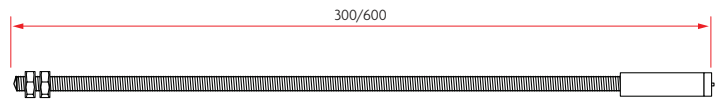
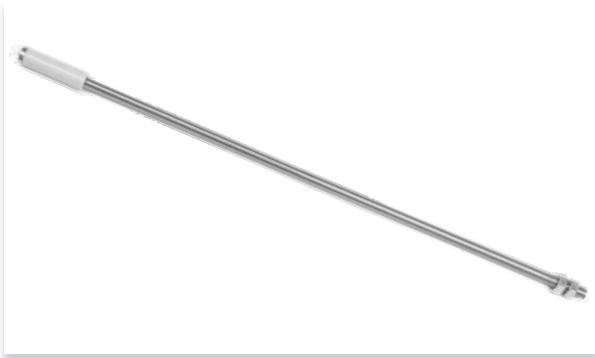
DETAILS

- 9mm stainless steel bolt
- Extruded brass body
- 25mm bolt throw
- Includes fixings and strike plate



BOLT ACCESSORIES

Extension Rod



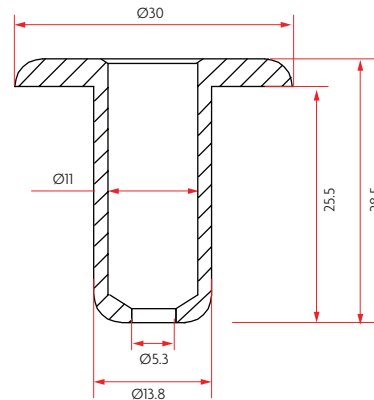
CODE

SAB-FB-A-EX300
SAB-FB-A-EX600

DETAILS

- 8mm zinc plated continuous threaded rod
- Centre punch tip to mark centre of keeper
- Zinc plated hardened steel bolt with anti-rattle sleeve.

Top Hat Ferrule 9mm



CODE

SAB-TH1759

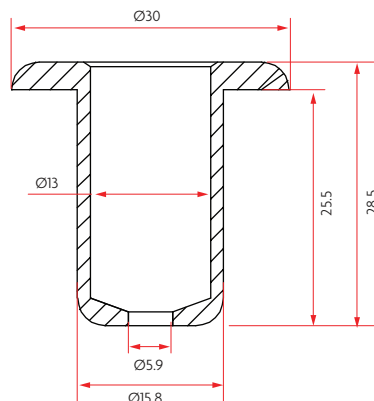
FINISH

ALY - Aluminium

DETAILS

Suits bolt diameters up to 9mm

Top Hat Ferrule 12mm



CODE

SAB-TH1760

FINISH

ALY - Aluminium

DETAILS

Suits bolt diameters up to 12mm

BOLT ACCESSORIES

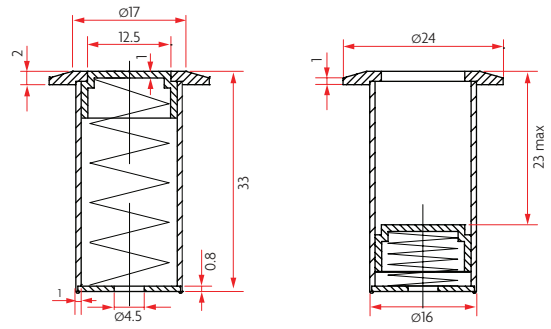
DPS 13 Dust Proof Socket



CODE
SAB-DPS-13

FINISH
SSS - Stainless Steel

DETAILS
Suits bolt diameters up to 12mm



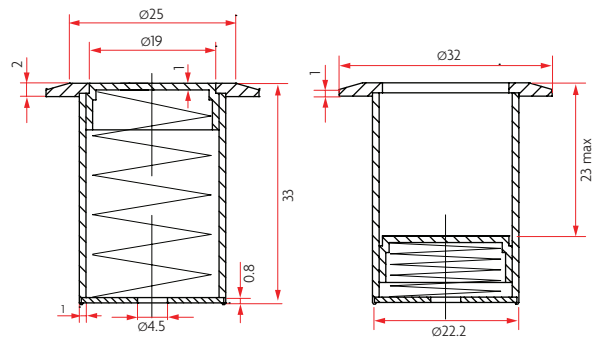
DPS 19 Dust Proof Socket



CODE
SAB-DPS-19

FINISH
SSS - Stainless Steel

DETAILS
Suitable for 840 and 940 auto flush bolts





DOOR STOPS

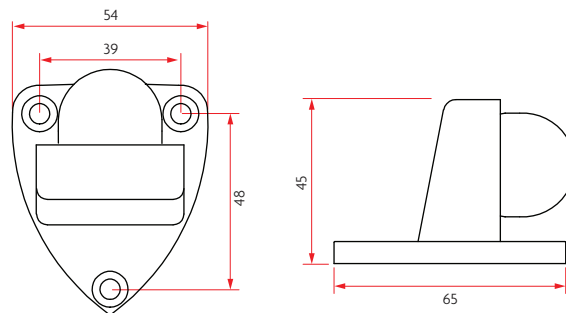
FLOOR, WALL AND FRAME MOUNTED

The Sabre range of door stops provide options for floor, wall and frame mounting which is often determined on site conditions. Some conditions may not allow a floor mounted stop being used as it may become a tripping hazard therefore a wall mounted stop is used. All Sabre door stops are made from premium quality materials and are all supplied with fixing screws.

- Provides door and wall protection
- Suits commercial and residential applications
- Only manufacturer using quality materials
- Fixings screws included



250 Floor Door Stop



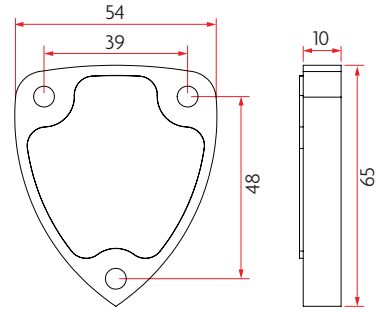
CODE
SAB-DS250

FINISH
SC - Satin Chrome
CP - Chrome Plate
BLK - Black

DETAILS
Material: Zinc
Fixings: 3x 10g 35mm CSK timber screws SSS

DOOR STOPS

250-10 Door Stop Spacer



CODE

SAB-DS250-10

FINISH

SC - Satin Chrome

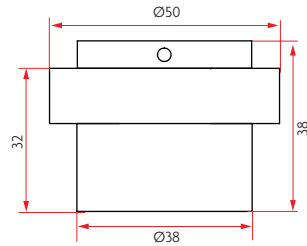
DETAILS

10mm spacer for 250 door stop

Material: Zinc

Fixings: 3x 10g 35mm CSK timber screws SSS

280 Floor Door Stop



CODE

SAB-DS280

FINISH

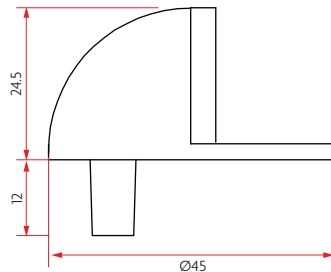
SC - Satin Chrome
CP - Chrome Plate

DETAILS

Material: Zinc

Fixings: 1x 10g 40mm CSK timber screw SSS

290 Floor Door Stop



CODE

SAB-DS290

FINISH

SC - Satin Chrome
BLK - Black

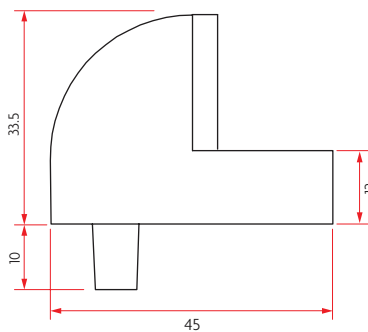
DETAILS

Material: Zinc

Fixings: 1x 10g 30mm CSK timber screw SSS

DOOR STOPS

290R Floor Door Stop



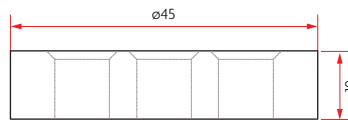
CODE
SAB-DS290-R

DETAILS
Material: Zinc

FINISH
SC - Satin Chrome
CP - Chrome Plate

Fixings: 1x 10g 30mm CSK timber screw SSS

290-10 Spacer for 290 and 290R Door Stop



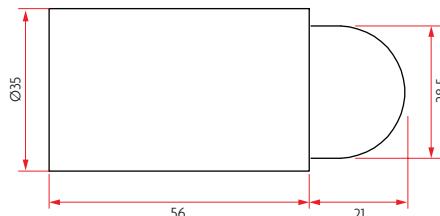
CODE
SAB-DS290-10

DETAILS
10mm spacer for 290 and 290R door stop

FINISH
SC - Satin Chrome
CP - Chrome Plate
BLK - Black

Material: Zinc
Fixings: 1x 10g 30mm CSK timber screw SSS

350 Wall Door Stop



CODE
SAB-DS350

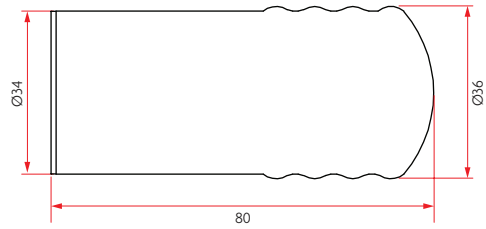
DETAILS
Material: Aluminium

FINISH
CA - Clear Anodised

Fixings: 2x 8g 40mm CSK timber screws SSS

DOOR STOPS

453 Wall Door Stop

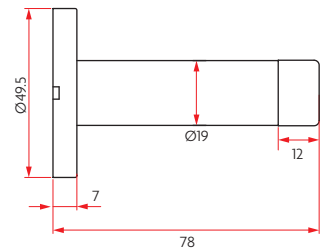
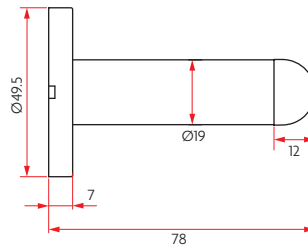


CODE
SAB-DS453

FINISH
WH - White

DETAILS
Material: Plastic
Fixings: 1x 6g 35mm Pan Head timber screw ZP

500 Wall Door Stop

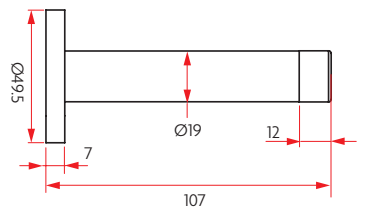
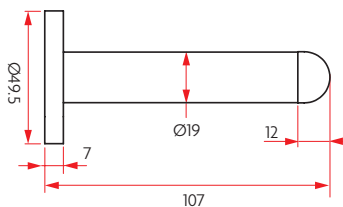


CODE
SAB-DS500

FINISH
SSS - Satin Stainless Steel

DETAILS
Includes round and square rubbers
Material: 304 stainless steel
Fixings: 1x 10g 35mm CSK timber screw SSS

510 Wall Door Stop



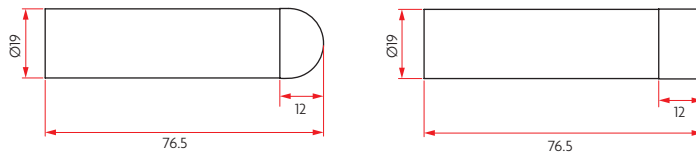
CODE
SAB-DS510

FINISH
SSS - Satin Stainless Steel

DETAILS
Includes round and square rubbers
Material: 304 stainless steel
Fixings: 1x 10g 35mm CSK timber screw SSS

DOOR STOPS

550 Wall Door Stop

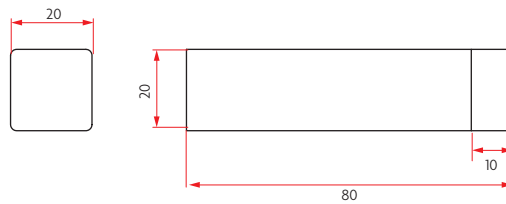


CODE
SAB-DS550

FINISH
SSS - Satin Stainless Steel

DETAILS
Includes round and square rubbers
Material: 304 stainless steel
Fixings: 1x 8g 30mm CSK timber screw SSS

750 Wall Door Stop

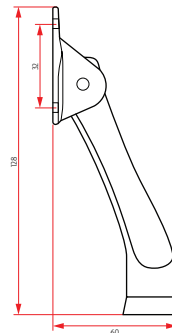


CODE
SAB-DS750

FINISH
SSS - Satin Stainless Steel

DETAILS
Material: 304 stainless steel
Fixings: 1x 8g 30mm CSK timber screw SSS

857 Drop Down Door Stop



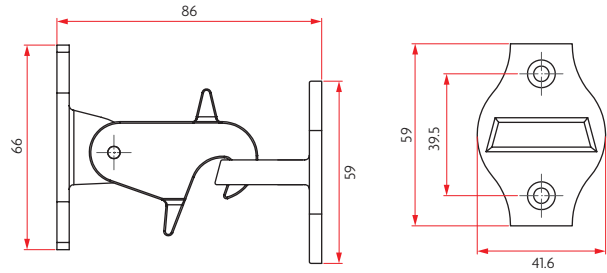
CODE
SAB-DS857

FINISH
SC - Satin Chrome

DETAILS
Material: Zinc
Fixings: 3x 8g 25mm CSK timber screws ZP

DOOR STOPS

884 Door Stop



CODE

SAB-DS884

DETAILS

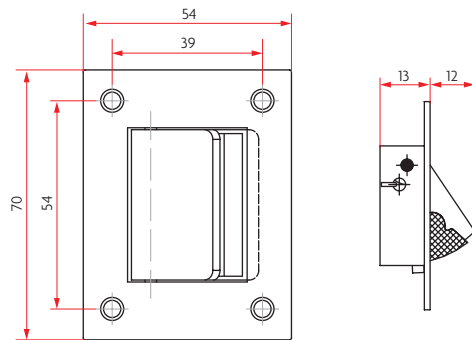
Material: 304 stainless steel

FINISH

SSS - Satin Stainless Steel

Fixings: 6x 8g 25mm CSK timber screws SSS

13312 Frame Door Stop



CODE

SAB-DS13312

DETAILS

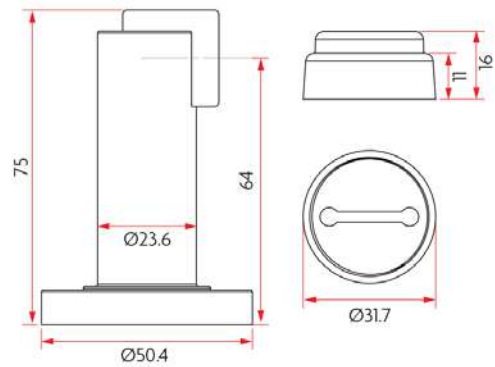
Material: 304 stainless steel

FINISH

SSS - Satin Stainless Steel

Fixings: 4x 6g 20mm CSK timber screws SSS

M01 Magnetic Floor and Wall Stop



CODE

SAB-DSM01-SC
SAB-DSM01-BLK

DETAILS

Material: Zinc

Fixings: 5x 6g 25mm CSK timber screws

FINISH

SC - Satin Chrome
BLK - Black



HEAVY DUTY HINGE

There are occasions where standard hinges just don't get the job done. Sure, most are less expensive but over time the labour cost to keep replacing them soon adds up. Investing in quality products during the first installation is often overlooked or there hasn't been an option available, until now. The dual branded ECO/Sabre heavy duty hinges are now an option, rather than using expensive and difficult to install pivot systems. The patented concealed ball bearing technology now allows hinges to be used on heavy high frequency use doors. All hinges come with Australian standard hinge patterns so they can be used on commercial metal frames such as fire doors.



HEAVY DUTY



THE RIGHT NUMBER OF HINGES AND MAXIMUM DOOR WEIGHT FOR HEAVY DUTY HINGES

The correct number of hinges is influenced by different factors such as:

- The door type
- The door weight
- The door height/width ratio (excess width side load)
- The frequency of use
- Other door hardware used on the door

The table below demonstrates the influences of door width, door closers with or without back check have on the *heavy duty hinges*. For further details please refer to the *Sabre Heavy Duty Hinge brochure*.

Width (in mm)	Max door weight without door closer		Max door weight with door closer		Max door weight with door closer (incorporating back-check and/or hold open device)	
	2 hinges per door	3 hinges per door	2 hinges per door	3 hinges per door	2 hinges per door	3 hinges per door
max. 750	144 kg	187 kg	120 kg	142 kg	82 kg	97 kg
max. 850	144 kg	187 kg	120 kg	142 kg	82 kg	97 kg
max. 950	144 kg	187 kg	120 kg	142 kg	82 kg	97 kg
max. 1100	131 kg	170 kg	109 kg	129 kg	75 kg	88 kg
max. 1250	108 kg	140 kg	90 kg	107 kg	62 kg	73 kg
max. 1400	96 kg	125 kg	80 kg	95 kg	55 kg	65 kg
max. 1600	85 kg	111 kg	71 kg	84 kg	49 kg	58 kg

Please note: Above maximum door weight indications are based on a perfectly installed and adjusted door system as per EN 1935 test parameters and requirements. Actual values may vary in individual cases. The door system and number of hinges (incl. maximum door weight) may also be influenced by additional hardware installed with the door, the general usage, the correct installation and maintenance. In general, Sabre recommends a testing of the door to guarantee adequate performance.

HEAVY DUTY HINGE

75mm



CODE

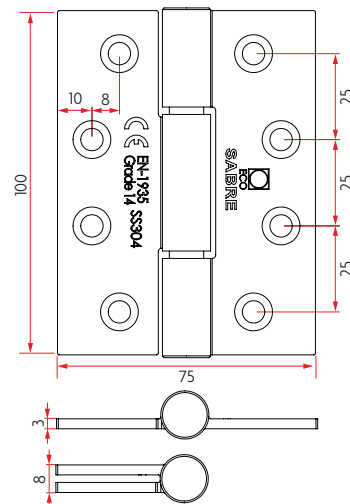
SAB-HI0075HD

FINISH

SSS - Satin Stainless Steel

DETAILS

- Suitable for timber and metal frames
- 3mm frame prep required
- 8 x 10g x 35mm timber and 4 x M5 x 12mm undercut metal screws



100mm



CODE

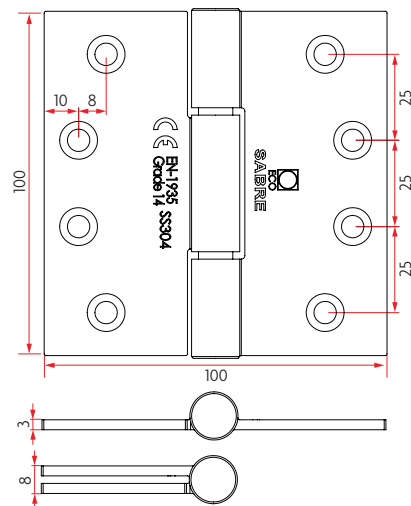
SAB-HI0000HD

FINISH

SSS - Satin Stainless Steel

DETAILS

- Suitable for timber and metal frames
- 3mm frame prep required
- 8 x 10g x 35mm timber and 4 x M5 x 12mm undercut metal screws





HINGES

Suitable for interior and exterior doors Sabre's range of 304 stainless steel hinges will provide smooth and durable operation. The range includes fast-fix hinges suitable for timber and metal frames and architectural plain and ball bearing butt hinges. All Sabre hinges are tested for both cycle and corrosion resistance and often exceed many approved standards from around the world. All hinges are made from 304 stainless and no short cuts have been made in the quality of ball bearings used. All architectural hinges have been tested for use on fire doors as stated in AS1905.1 : 2005. Hinge screw patterns suit most frame manufacturers details and all come complete with fixing screws.



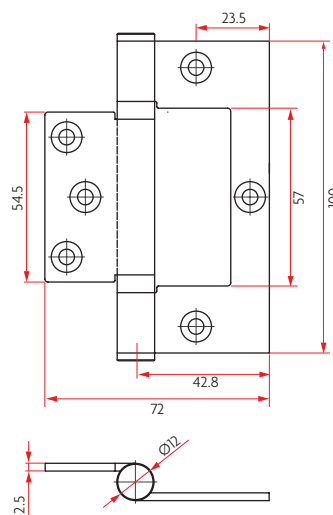
Timber Fix



CODE
SAB-H10070FFT

FINISH
SSS - Satin Stainless Steel

- DETAILS**
- Suitable for timber frames.
 - 2.5mm frame and door clearance.
- Screws: 6 x 30mm timber screws.



FAST FIX HINGES

Metal Fix

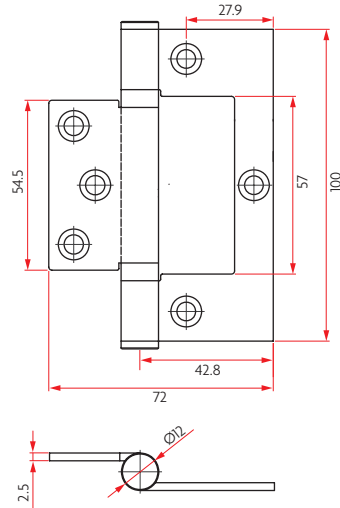


CODE
SAB-HI0070FFM

FINISH
SSS - Satin Stainless Steel

- DETAILS**
- Suitable for aluminium frames depending on extrusion type.
 - 2.5mm frame and door clearance.

Screws: 6 x 12.5mm undercut self-drilling and 3 x 30mm timber screws.



Timber Fix Kinked

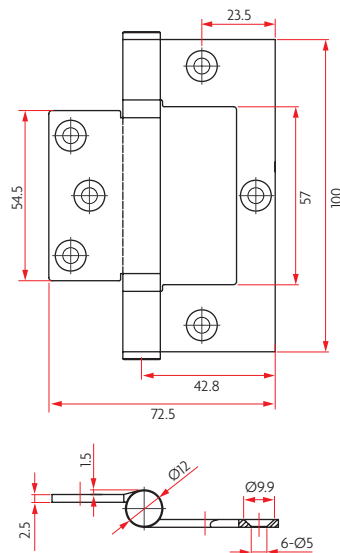


CODE
SAB-HI0070FFTK

FINISH
SSS - Satin Stainless Steel

- DETAILS**
- Suitable for timber frames.
 - 4.0mm frame and door clearance.

Screws: 6 x 30mm timber screws.



FAST FIX HINGES

Aluminium



CODE

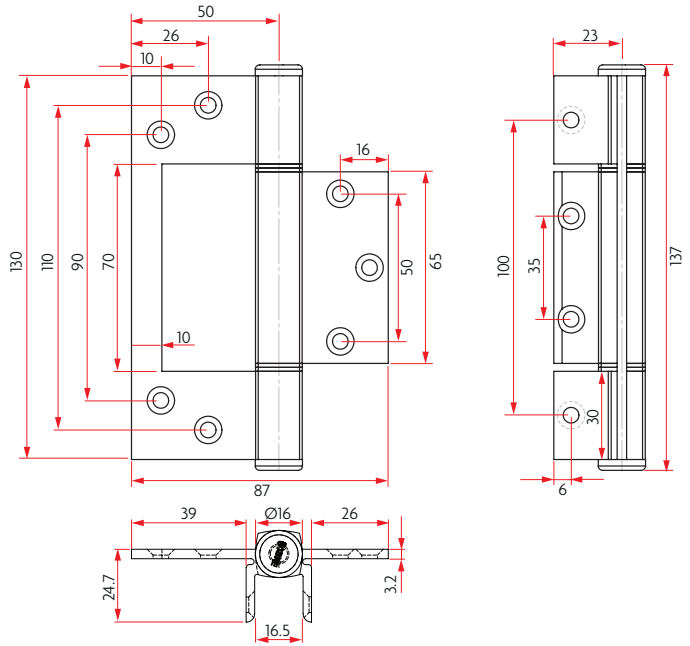
SAB-HA104FF

FINISH

SNA - Satin Natural Anodized
BLK - Black

DETAILS

- Suitable for aluminium frames and doors.
- Screws: 11 x 10g x 13mm undercut self-drilling screws.



Heavy Duty



CODE

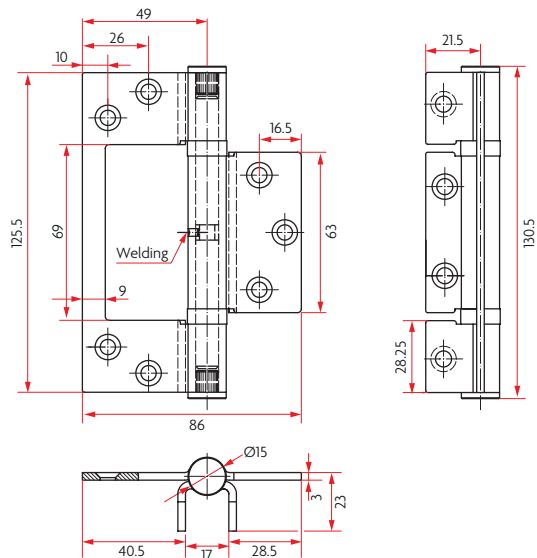
SAB-H104FFBB

FINISH

SSS - Satin Stainless Steel

DETAILS

- Suitable for aluminium frames and doors.
- Screws: 11 x 10g x 12.5mm undercut self-drilling screws.



BALL BEARING HINGES

Ball Bearing - 75 mm

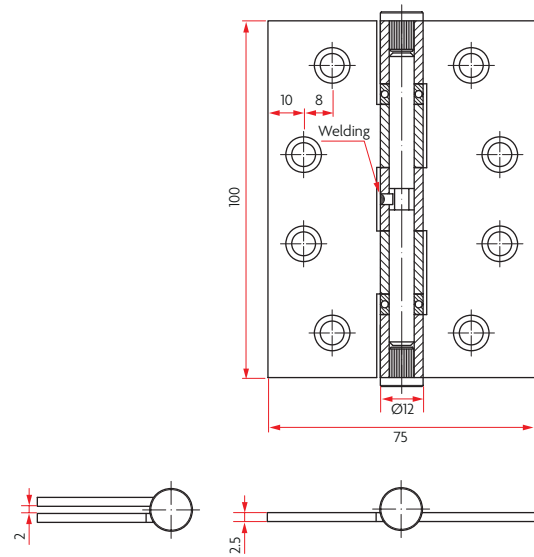


CODE
SAB-HI0075BB

FINISH
SSS - Satin Stainless Steel

- DETAILS**
- Suitable for timber and metal frames.
 - Min 2mm frame and door clearance.

Screws: 8 x 10g x 32mm timber, 4 x M5 x 12mm undercut metal screws.



Ball Bearing - 100mm

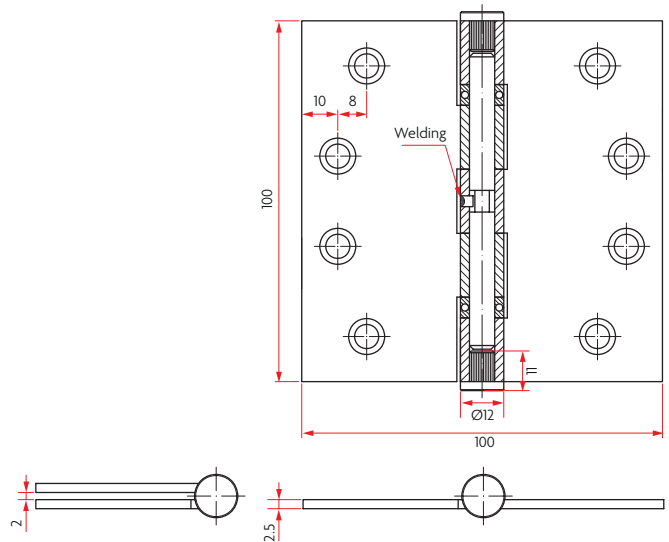


CODE
SAB-HI0000BB

FINISH
SSS - Satin Stainless Steel

- DETAILS**
- Suitable for timber and metal frames.
 - Min 2mm frame and door clearance.

Screws: 8 x 10g x 32mm timber, 4 x M5 x 12mm undercut metal screws.



BUTT HINGES

Plain - 75mm



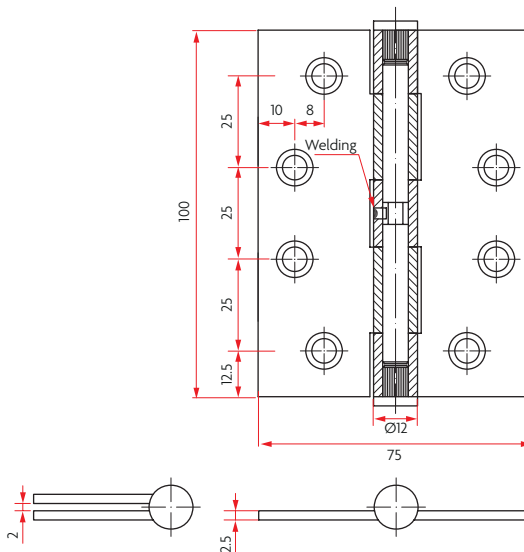
CODE
SAB-HI0075FP

FINISH
SSS - Satin Stainless Steel

DETAILS

- Suitable for timber and metal frames.
- Min 2mm frame and door clearance.

Screws: 8 x 10g x 32mm timber, 4 x M5 x 12mm undercut metal screws.



Plain - 100mm



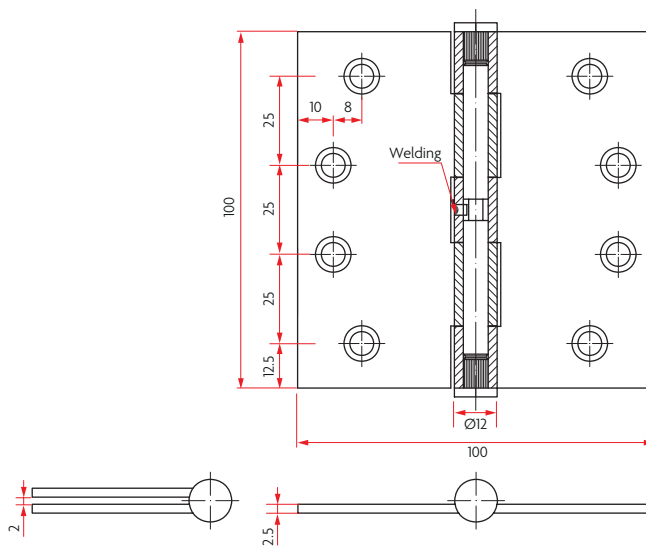
CODE
SAB-HI0000FP

FINISH
SSS - Satin Stainless Steel

DETAILS

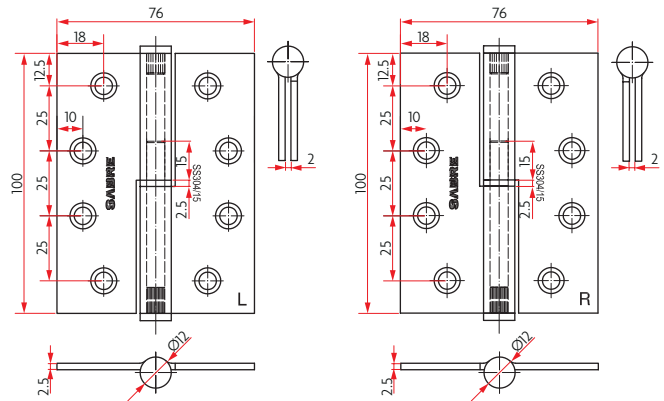
- Suitable for timber and metal frames.
- Min 2mm frame and door clearance.

Screws: 8 x 10g x 32mm timber, 4 x M5 x 12mm undercut metal screws.



BUTT HINGES

Lift Off



CODE

SAB-HI0075LOL
 SAB-HI0075LOR (as shown)

FINISH

SSS - Satin Stainless Steel

DETAILS

- Suitable for timber and metal frame and where a door may need to be lifted off after installation. Note: hinges are handed.

Screws: 8 x 10g x 32mm timber, 4x M5 x 12mm undercut metal screws.

How to hand a lift-off hinge

Stand on the side of the door where the door opens towards you. If the hinge is on the right, you need a right handed hinge. If the hinges are on the left, you need a left handed hinge.

HINGE SPARE PARTS

CODE

DESCRIPTION

SAB-HSP-10070FFM-SSS	Screw Pack Metal Fast Fix
SAB-HSP-10070FFT-SSS	Screw Pack Timber Fast Fix
SAB-HSP-10075-SSS	Screw Pack Butt Plain/Bearing



PUSH/PULL PLATES AND PULL HANDLES

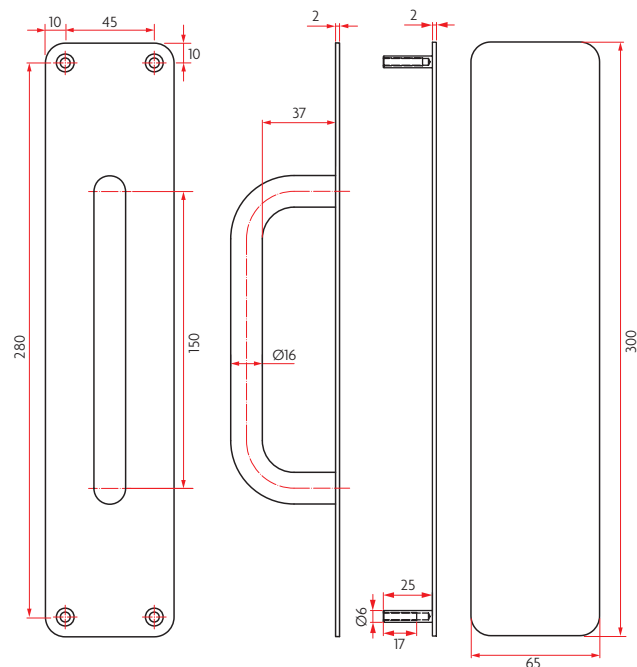
SUITABLE FOR TIMBER AND ALUMINIUM DOORS

The Sabre range of push and pull plate sets are made from 2mm thick 304 stainless steel, stocked in two common sizes, 300mm x 100mm and 300mm x 65mm. All plates come with 10mm radius corners and are available in both concealed and visible fix combinations. All pull handles comply with AS1428 with no less than 35mm and no greater than 45mm finger clearance between the underside of the pull and its fixing surface. All push/pull plates and pull handles are supplied with appropriate fixing screws.

- Solid stainless steel pull handles
- Concealed and visible fixing available
- 300mm x 100mm and 300mm x 65mm sizing
- AS1428.1 compliant
- 2.0mm plate thickness
- Secure stud welded fixing posts



Concealed Push/Pull Plate Set - 65mm



CODE

SAB-PPSET-CON65

FINISH

SSS - Satin Stainless Steel

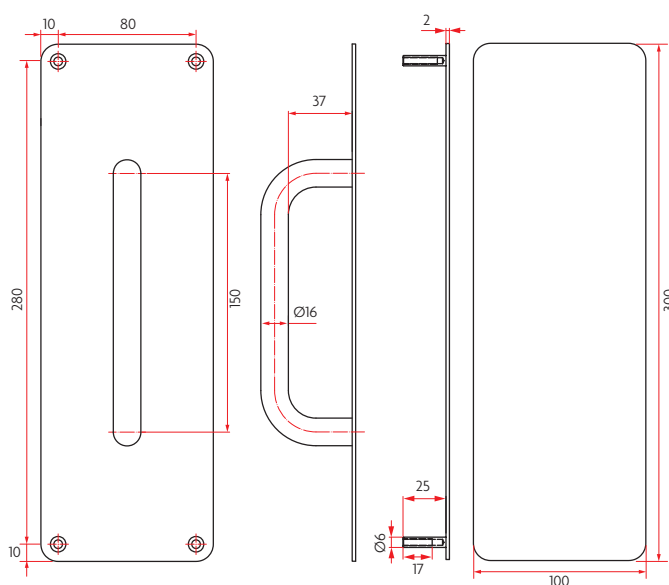
DETAILS

- Plate size 300 x 65 x 2mm
- Concealed push with visible 150mm pull
- To suit standard doors between 35mm and 45mm thick (longer screws are required for thicker doors)

Fixings: 4 x M4 x 30mm

PUSH PLATES AND PULL HANDLES

Concealed Push/Pull Plate Set - 100mm



CODE

SAB-PPSET-CON100

FINISH

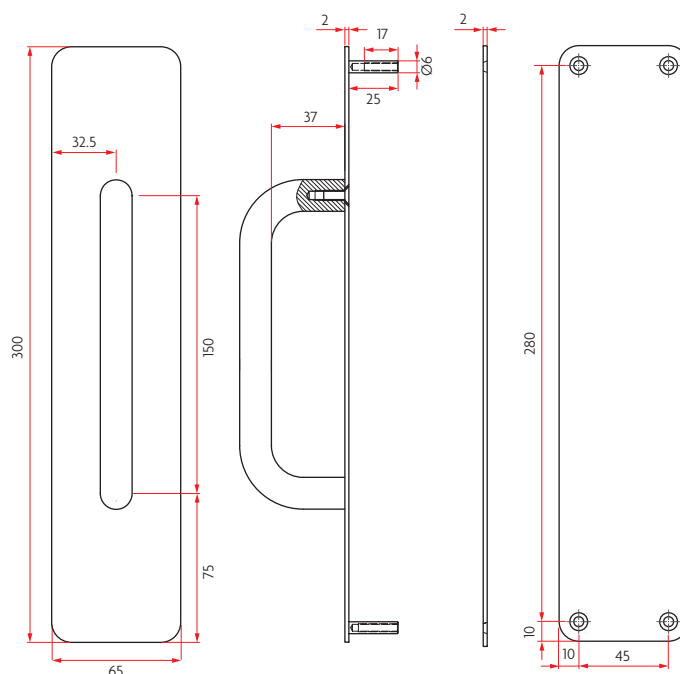
SSS - Satin Stainless Steel

DETAILS

- Plate size 300 x 100 x 2mm
- Concealed push with visible 150mm pull
- To suit standard doors between 35mm and 45mm thick (longer screws are required for thicker doors)

Fixings: 4 x M4 x 30mm

Visible Fix Push/Pull Plate Set - 65mm



CODE

SAB-PPSET-VIS65

FINISH

SSS - Satin Stainless Steel

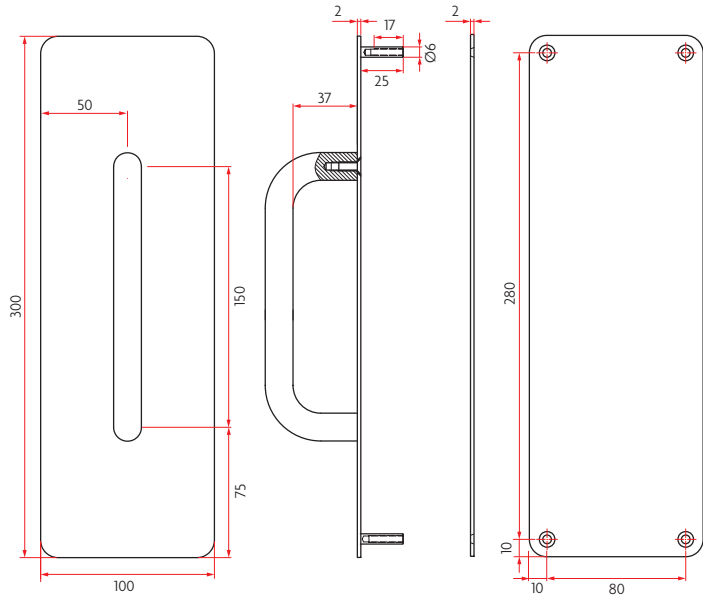
DETAILS

- Plate size 300 x 65 x 2mm
- Visible push with concealed 150mm pull
- To suit standard doors between 35mm and 45mm thick (longer screws are required for thicker doors)

Fixings: 4 x M4 x 30mm

PUSH PLATES AND PULL HANDLES

Visible Fix Push/Pull Plate Set - 100mm



CODE

SAB-PPSET-VIS100

FINISH

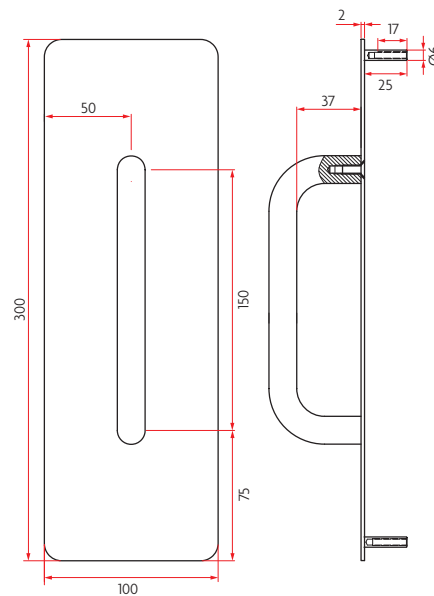
SSS - Satin Stainless Steel

DETAILS

- Plate size 300 x 100 x 2mm
- Visible push with concealed 150mm pull
- To suit standard doors between 35mm and 45mm thick (longer screws are required for thicker doors)

Fixings: 4 x M4 x 30mm

Pull Plate Concealed Fix - 100mm



CODE

SAB-PPCON310-150

FINISH

SSS - Satin Stainless Steel

DETAILS

- Plate size 300 x 100 x 2mm
- 150mm pull handle
- To suit standard doors between 35mm and 45mm thick (longer screws are required for thicker doors)

Fixings: 4 x M4 x 30mm

PUSH PLATES AND PULL HANDLES

Push Plate Concealed Fix - 100mm



CODE

SAB-PPCON310

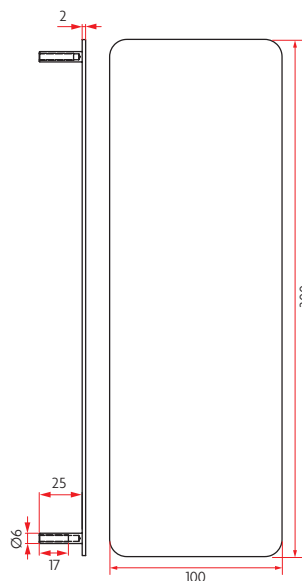
FINISH

SSS - Satin Stainless Steel

DETAILS

- Plate size 300 x 100 x 2mm
- To suit standard doors between 35mm and 45mm thick (longer screws are required for thicker doors)

Fixings: 4 x M4 x 30mm



Pull Plate Concealed Fix - 65mm



CODE

SAB-PPCON365-150

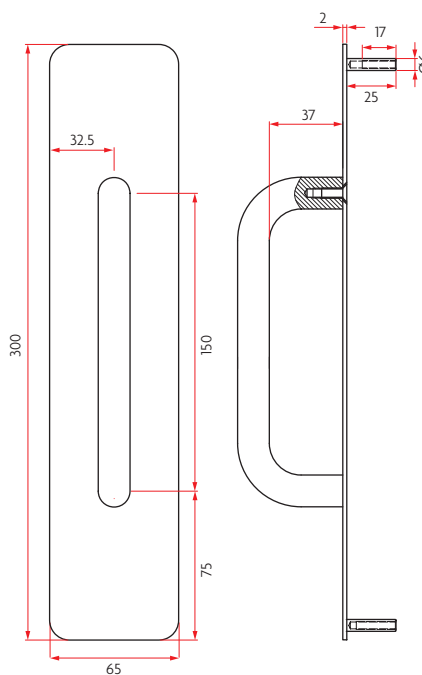
FINISH

SSS - Satin Stainless Steel

DETAILS

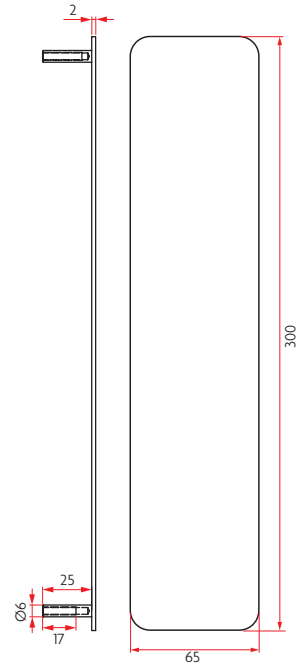
- Plate size 300 x 65 x 2mm
- 150mm pull handle
- To suit standard doors between 35mm and 45mm thick (longer screws are required for thicker doors)

Fixings: 4 x M4 x 30mm



PUSH PLATES AND PULL HANDLES

Push Plate Concealed Fix - 65mm



CODE

SAB-PPCON365

FINISH

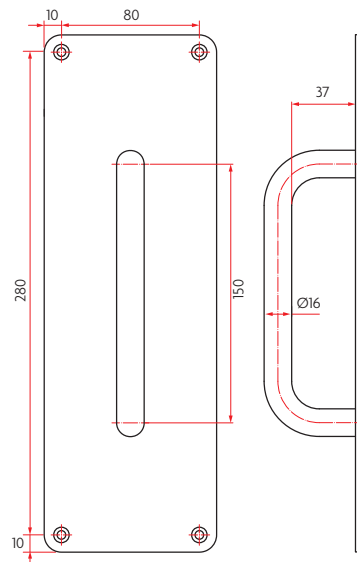
SSS - Satin Stainless Steel

DETAILS

- Plate size 300 x 65 x 2mm
- To suit standard doors between 35mm and 45mm thick (longer screws are required for thicker doors)

Fixings: 4 x M4 x 30mm

Pull Plate Visible Fix - 100mm



CODE

SAB-PPVIS310-150

FINISH

SSS - Satin Stainless Steel

DETAILS

- Plate size 300 x 100 x 2mm
- 150mm pull handle
- To suit standard doors between 35mm and 45mm thick (longer screws are required for thicker doors)

Fixings: 4 x 8g x 20mm timber screws

PUSH PLATES AND PULL HANDLES

Push Plate Visible Fix - 100mm



CODE

SAB-PPVIS310

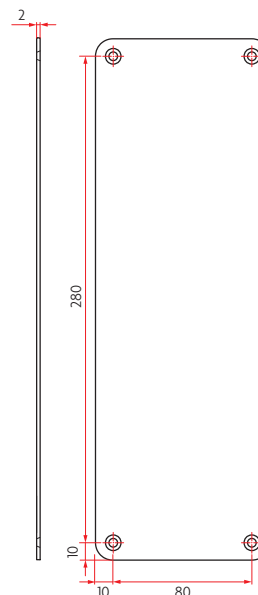
FINISH

SSS - Satin Stainless Steel

DETAILS

- Plate size 300 x 100 x 2mm
- To suit standard doors between 35mm and 45mm thick (longer screws are required for thicker doors)

Fixings: 4 x 8g x 20mm timber screws



Pull Plate Visible Fix - 65mm



CODE

SAB-PPVIS365-150

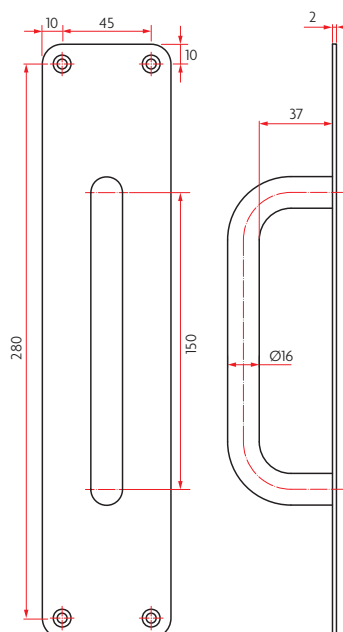
FINISH

SSS - Satin Stainless Steel

DETAILS

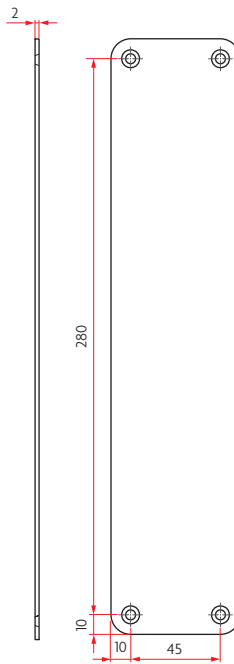
- Plate size 300 x 65 x 2mm
- 150mm pull handle
- To suit standard doors between 35mm and 45mm thick (longer screws are required for thicker doors)

Fixings: 4 x 8g x 20mm timber screws



PUSH PLATES AND PULL HANDLES

Push Plate Visible Fix - 65mm



CODE

SAB-PPVIS365

FINISH

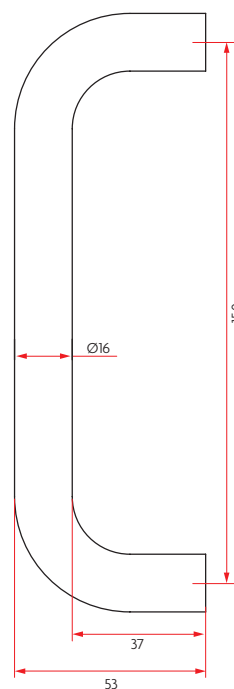
SSS - Satin Stainless Steel

DETAILS

- Plate size 300 x 65 x 2mm
- To suit standard doors between 35mm and 45mm thick (longer screws are required for thicker doors)

Fixings: 4 x 8g x 20mm timber screws

Pull Handle - DH07



CODE

SAB-DH07

FINISH

SSS - Satin Stainless Steel

DETAILS

- 150mm centres, 16mm diameter
- To suit standard doors between 35mm and 50mm thick (longer screws are required for thicker doors)

Fixings: 2 x M6 x 60mm counter sunk screws.

PUSH PLATES AND PULL HANDLES

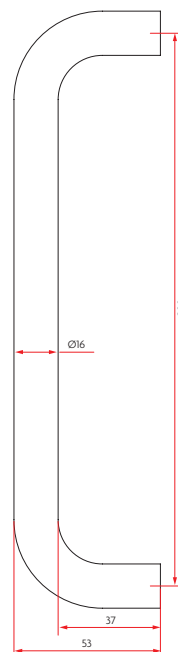
Pull Handle - DH08



CODE
SAB-DH08

FINISH
SSS - Satin Stainless Steel

- DETAILS**
- 200mm centres, 16mm diameter
 - To suit standard doors between 35mm and 50mm thick (longer screws are required for thicker doors)
- Fixings: 2 x M6 x 60mm counter sunk screws.





STRIKE SHIELDS

LATCH PROTECTION FOR OUTWARD OPENING DOORS

The Sabre range of Strike Shields are ideal products to include when looking for added security especially on opening outward doors. Opening outward doors expose the latch or bolt of the lockset which can be prone to attack from unwanted intruders. The Sabre Strike Shield offers protection to this area of the latch and also the lock from attack. There are various types of Strike Shields available depending on the lock type that has been installed. All Sabre Strike Shields are made from marine grade 316 stainless steel to ensure the product can withstand the varying environments we have in Australia. Testing has also been approved for use on fire doors.

- Options for standard rectangular plate,
- Narrow style plate, cylindrical locksets and deadbolts
- Concealed and semi visible fixings
- Made from 2mm pressed 316 stainless steel
- Fire rated



Fire Rated

Cylindrical Plate

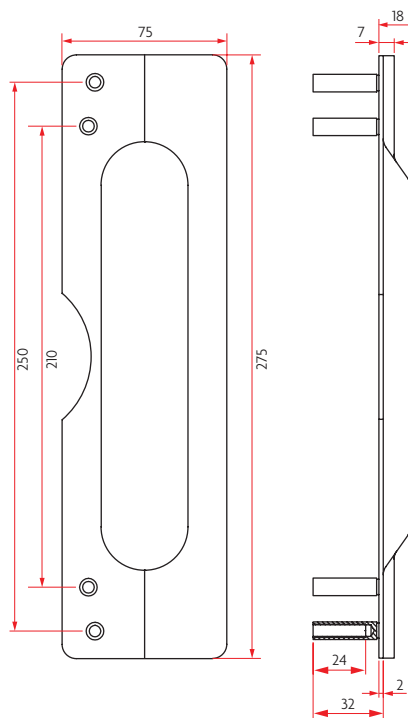


CODE
SAB-SS088C

FINISH
SSS - Satin Stainless Steel

- DETAILS**
- Concealed fixing
 - Suitable for cylindrical locksets, deadbolts and lever on rose furniture
 - Door thickness between 33mm and 50mm

Fixings: 4 x 28mm M6 flat allen key bolts.



STRIKE SHIELDS

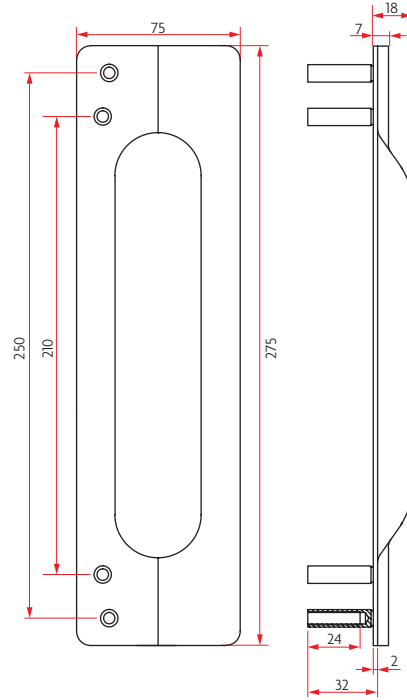
Standard Plate



CODE
SAB-SS092C

FINISH
SSS - Satin Stainless Steel

- DETAILS**
- Concealed fixing
 - Suitable for 127mm cylindrical locksets and deadbolts, 45mm wide plate furniture
 - Door thickness between 33mm and 50mm
- Fixings: 4 x 28mm M6 flat allen key bolts.



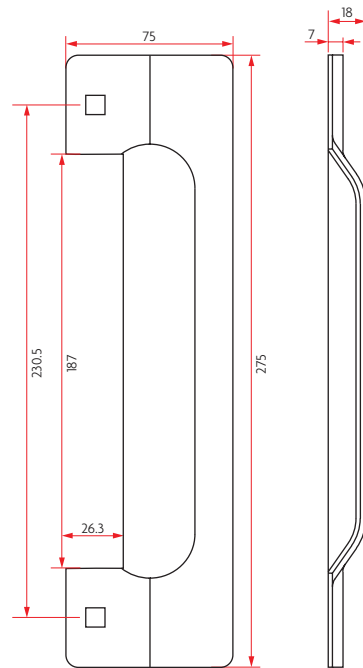
Narrow Style Plate



CODE
SAB-SS097V

FINISH
SSS - Satin Stainless Steel

- DETAILS**
- Semi visible fixing
 - Suitable for narrow style plate furniture 185mm long
 - Door thickness between 33mm and 45mm
- Fixings: 2 x M6 flat allen key sex bolts.





FLUSH PULLS

FOR USE ON BI-FOLD, CAVITY, TOP HUNG AND FACE FIXED SLIDING DOORS

The Sabre range of flush pulls for sliding doors offers a variety of options and sizes. The range includes designs made from zinc to the impressive stainless steel range which includes sizes up to 820mm long.

All flush pulls have generous finger recess and are easy to maintain and keep clean. All flush pulls come complete with fixing screws.

- Easy to grip finger recess
- Available in concealed and visible fixings
- Round and square designs
- Can be used in residential and commercial applications
- 600 series models are made from quality zinc material
- FP series models are made from stylish stainless steel
- Fixing screws included



Flush Pull - 610



CODE

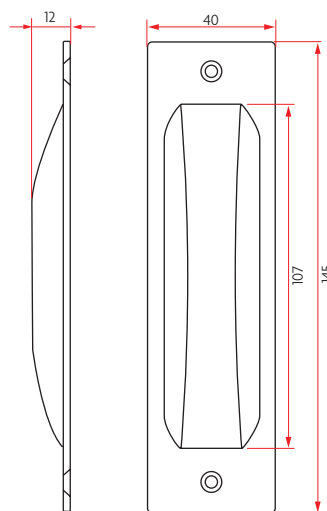
SAB-FP610

FINISH

SC - Satin Chrome

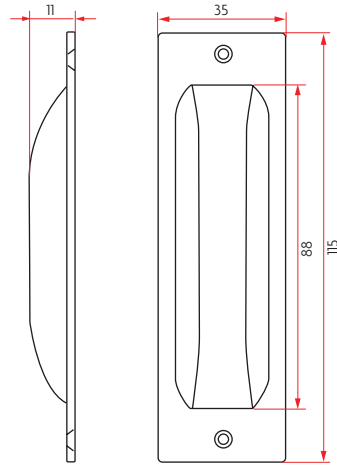
DETAILS

- 145mm x 40mm flush pull
- Visible fixing



FLUSH PULLS

Flush Pull - 611



CODE

SAB-FP611

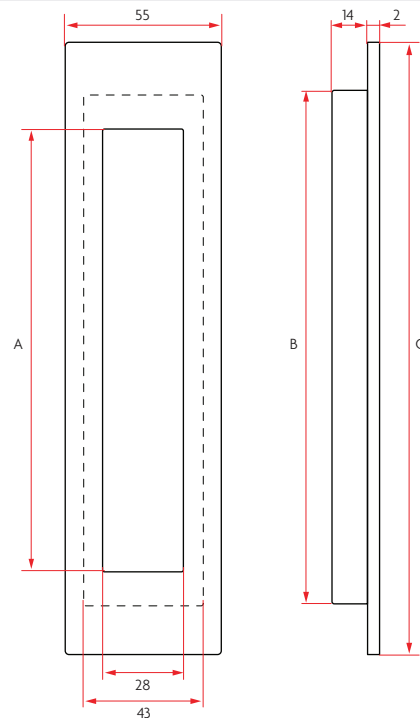
FINISH

SC - Satin Chrome

DETAILS

- 115mm x 35mm flush pull
- Visible fixing

Flush Pull - FP01



CODE

SAB-FP01-220
SAB-FP01-520
SAB-FP01-820

FINISH

SSS - Satin Stainless Steel

DETAILS

- Deep finger recess for easy grip
- Concealed fixing
- For extra strength we recommend glueing in sizes 520 and 820

Code	Finger Recess (A)	Door Prep Length (B)	OA Length (C)
SAB-FP01-220	160mm	185mm	220mm
SAB-FP01-520	460mm	480mm	520mm
SAB-FP01-820	640mm	680mm	820mm

FLUSH PULLS

Radius Flush Pull - FP02



CODE

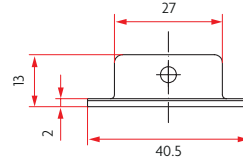
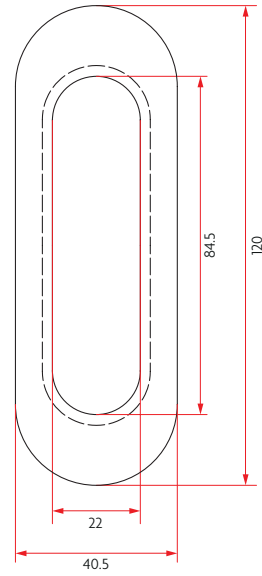
SAB-FP02-120

FINISH

SSS - Satin Stainless Steel

DETAILS

- Deep finger recess for easy grip
- Concealed fixing



Flush Pull - FP03



CODE

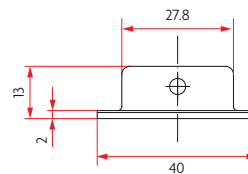
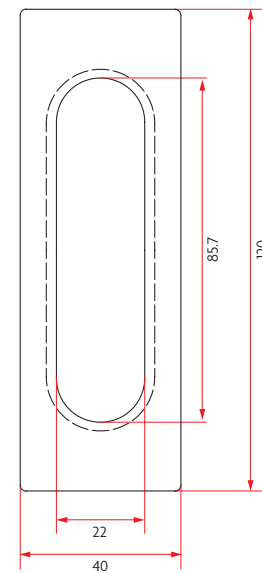
SAB-FP03-120

FINISH

SSS - Satin Stainless Steel

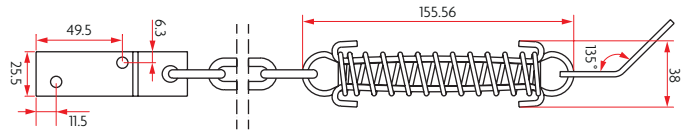
DETAILS

- Deep finger recess for easy grip
- Concealed fixing



DOOR ACCESSORIES

1861 Restrictor Chain



CODE

SAB-RC1861

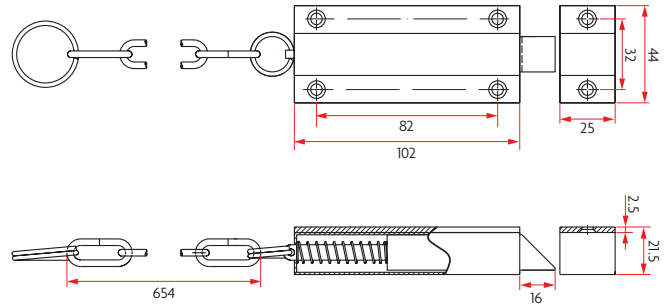
FINISH

ZP - Zinc Plated

DETAILS

- Heavy duty cushioning device for opening outward doors
- 5 year mechanical warranty
- Includes 50mm and 70mm M10 bolts
- 6 x 30mm timber screws

1851 Chain Bolts



CODE

SAB-CB1851

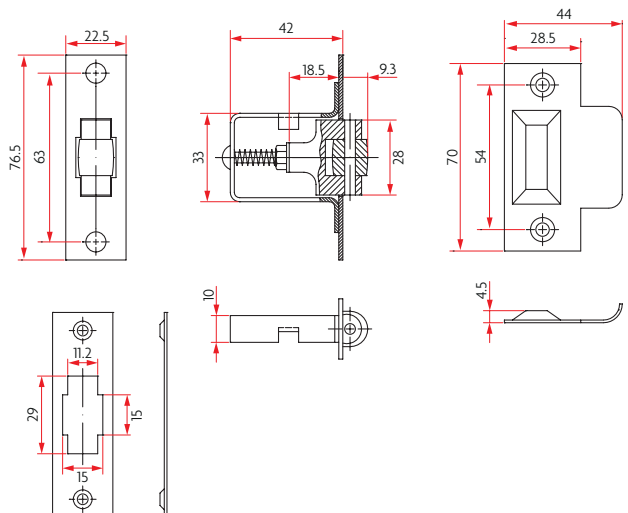
FINISH

SSS - Satin Stainless Steel

DETAILS

- Latching device for high reach doors
- 5 year mechanical warranty

Adjustable Roller Bolt



CODE

SAB-RB01

FINISH

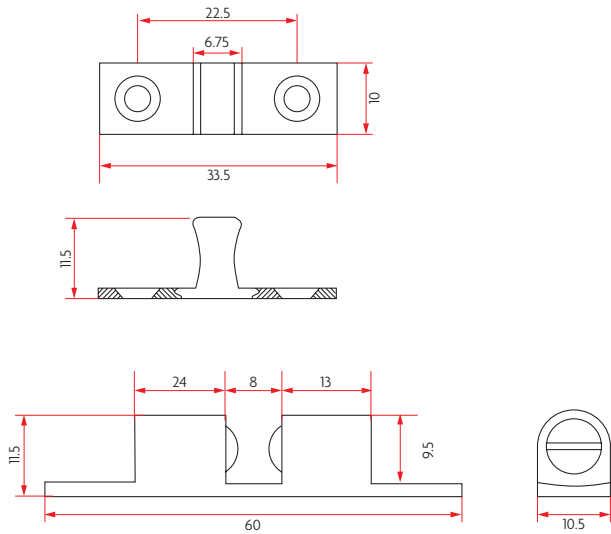
SSS - Satin Stainless Steel

DETAILS

- Adjustable strength
- Stainless steel roller

DOOR ACCESSORIES

Adjustable Brass Ball Catch



CODE

SAB-BC-60

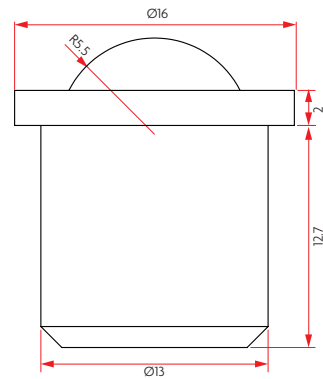
FINISH

PB - Polished Brass

DETAILS

- 60mm
- Adjustable strength
- Brass material

Concealed Ball Catch



CODE

SAB-BC-60

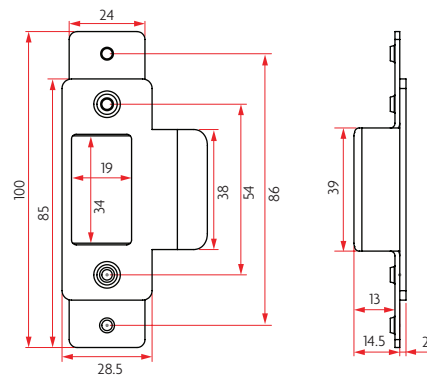
FINISH

BRASS

DETAILS

- Stainless steel ball,
- Brass housing
- 11mm diameter Ball
- 4.5kg spring force

Metal Box Strike



CODE

SAB-MBS

FINISH

SSS - Satin Stainless Steel

DETAILS

- Used on metal door frames to provide flush strike plate installation
- 4x M4x 8.0mm Metal Screws (Undercut Head)

DOOR ACCESSORIES

Aluminium Tabs



CODE
SAB-AFT

FINISH
ALY - Aluminium

DETAILS

- Used on metal doors to provide flush lock installation
- 4x M4 x 16mm

