

SABRE[®]

ARCHITECTURAL

514 CAM ACTION DOOR CLOSER

FOR USE ON TIMBER, METAL AND
ALUMINIUM DOORS

- Models to suit push and pull side applications
- Angle bracket included on all push side application closers
- Size 1 to 4 spring adjustable
- Door sizes 750mm to 1100mm wide
- Door weight 20kg to 80kg
- Adjustable back check



514 CAM ACTION DOOR CLOSER

SPECIFICATIONS

Although being the smaller strength model of the Sabre cam action door closer range the 514 still upholds the highly efficient attributes of the bigger 515 model only excluding the delayed action function. Whilst aiming to continue to deliver an easy opening force to meet operating

criteria of AS1428.1 design for access and mobility. It's complementing design including sliding track arm mechanism will never look out of place whether it's in a public space or a modern office environment.

514-SIL

Pull Side

SAB-DCCA514-PULL-SIL

Push Side

SAB-DCCA514-PUSH-SIL



514-SSS

Pull Side

SAB-DCCA514-PULL-SSS

Push Side

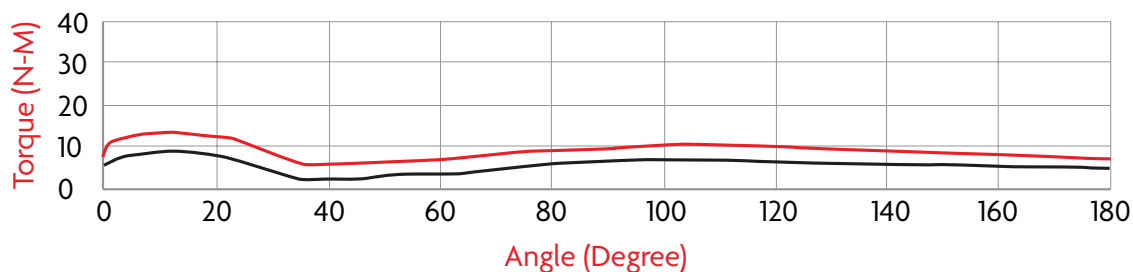
SAB-DCCA514-PUSH-SSS



EFFICIENCY

The graph shown below indicates the approximate force (Torque N-M) required to open the door with the closer set to size 1. This graph was recorded in a controlled testing environment and any changes to these

conditions may result in different outcomes. Variable air pressures and incorrect door installation will have an impact on these results.

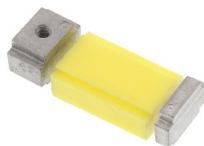


ACCESSORIES

CUSHION LIMITING STAY

SAB-DCCACLS

In some situations, door stops cannot be installed due to the limited open angle of some installations. This is when a limiting stay can be installed in the slide track to limit the opening of the door between 80° and 120°



MOUNTING PLATE TO SUIT 514

SAB-DCCA514-MP-SIL

In some instances the standard body fixing points aren't enough to secure the closer body to the doors surface e.g. hollow core doors and some aluminium doors. The additional fixing holes in the mounting plate provides more secure fixing options.



HOLD OPEN DEVICE

SAB-DCCAHO

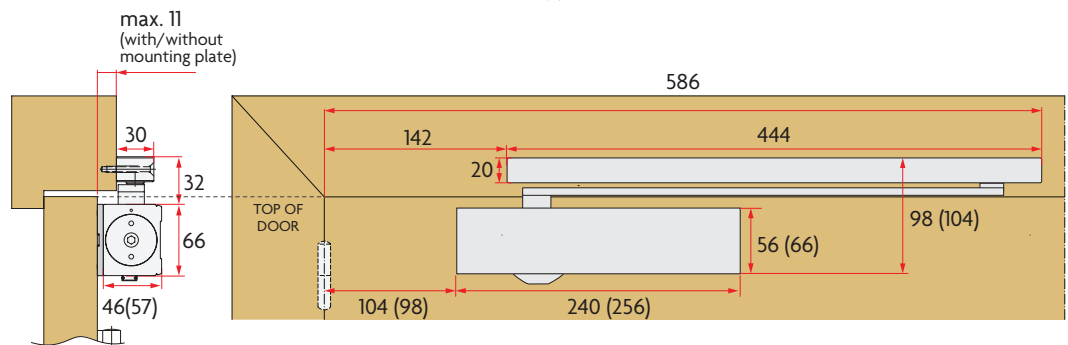
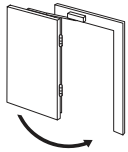
The hold open device allows doors to be held open at a maximum of 150° or when the opening angle is not restricted to site conditions. The hold open device is not to be used on fire and smoke doors.



514 CAM ACTION DOOR CLOSER

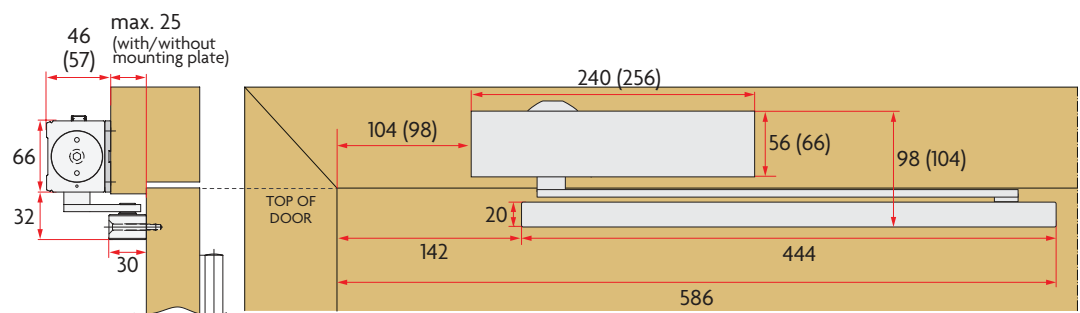
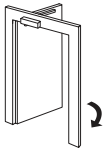
PULL BODY

DOOR MOUNT
PULL SIDE
MAX OPENING 180°



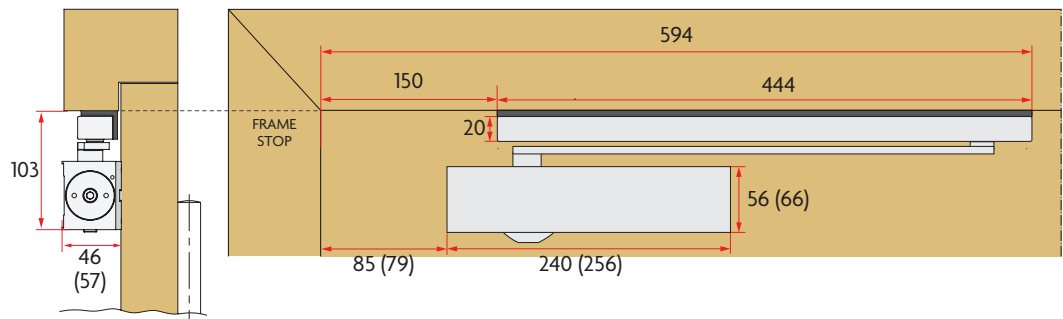
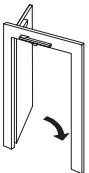
() indicates cover installation dimensions.

TRANSOM MOUNT
PUSH SIDE
MAX OPENING 120°

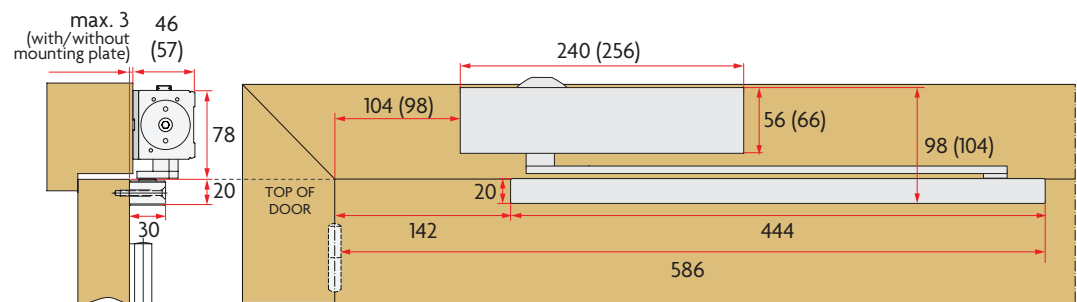
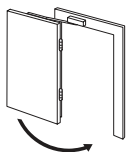


PUSH BODY

DOOR MOUNT
PUSH SIDE
MAX OPENING 120°
(inc. angle bracket)



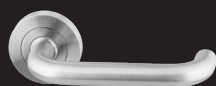
TRANSOM MOUNT
PULL SIDE
MAX OPENING 180°



RELATED PRODUCTS



SAB-BS-UATRH-BW
Accessible Toilet - RH



SAB-LS-R53-H01-SSS
H01 Lever on Rose Set



SAB-IAT-R53-RH-SSS
Accessible Turn

SABRE
ARCHITECTURAL
www.sabre.com.au