

BARREL BOLTS

SUITABLE FOR LOCKING INACTIVE
LEAF ON DOUBLE DOORS

- Bolt bodies are extruded brass
- Standard bolt throw 25mm, Long bolt throw 45mm
- Standard, long throw and necked barrel bolts have a stainless steel bolt
- All bolts have a 9mm bolt diameter
- All bolts include standard fixing screws, floor plates and keepers



BARREL BOLTS

FUNCTIONS

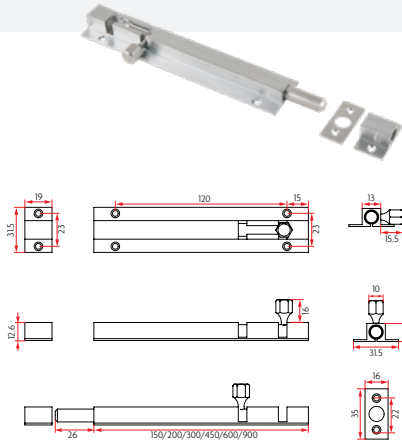
Sabre barrel bolts are recommended for use on internal double doors. They are commonly installed on both the top and bottom of the door to ensure the inactive door leaf remains rigid so the active door can be latched or locked. Sabre barrel bolts are available in varying lengths to accommodate different height doors. The range also includes a long throw model for when gaps between the door and frame are larger.

Sabre's unique necked barrel bolts allow the bolt handle to be folded away like the standard barrel bolts which increases the security as the bolt can't be unlocked due to gravity. All barrel bolts come with an extruded brass body and stainless or steel bolts for strength and longevity.

STANDARD

- SAB-BB01-150
- SAB-BB01-200
- SAB-BB01-300
- SAB-BB01-450
- SAB-BB01-600
- SAB-BB01-900

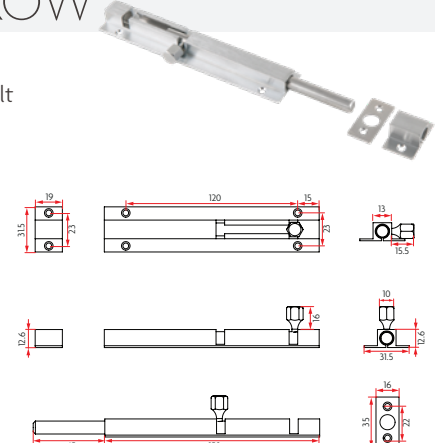
- 9mm stainless steel bolt
- Extruded brass body
- 25mm bolt throw
- Includes fixings and strike plate



LONG THROW

- SAB-BB02-150

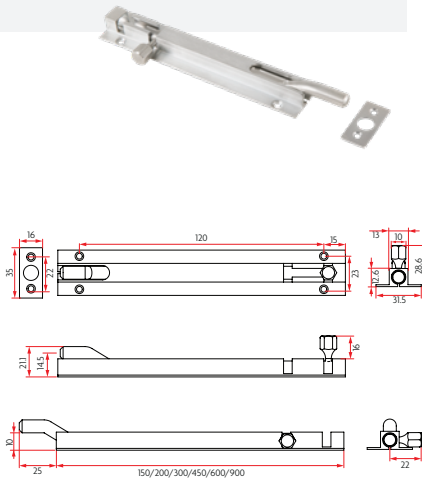
- 9mm stainless steel bolt
- Extruded brass body
- 45mm bolt throw
- Includes fixings and strike plate



NECKED

- SAB-BB03-150
- SAB-BB03-200
- SAB-BB03-300
- SAB-BB03-450
- SAB-BB03-600
- SAB-BB03-900

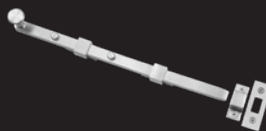
- 9mm stainless steel bolt
- Extruded brass body
- 25mm bolt throw
- Includes fixings and strike plate



RELATED PRODUCTS



SAB-TH1759-ALY
Top Hat Ferrule



SAB-PB01-300-SSS
Panic Bolt



SAB-FB-A-300-CA
Aluminium Flush Bolt