

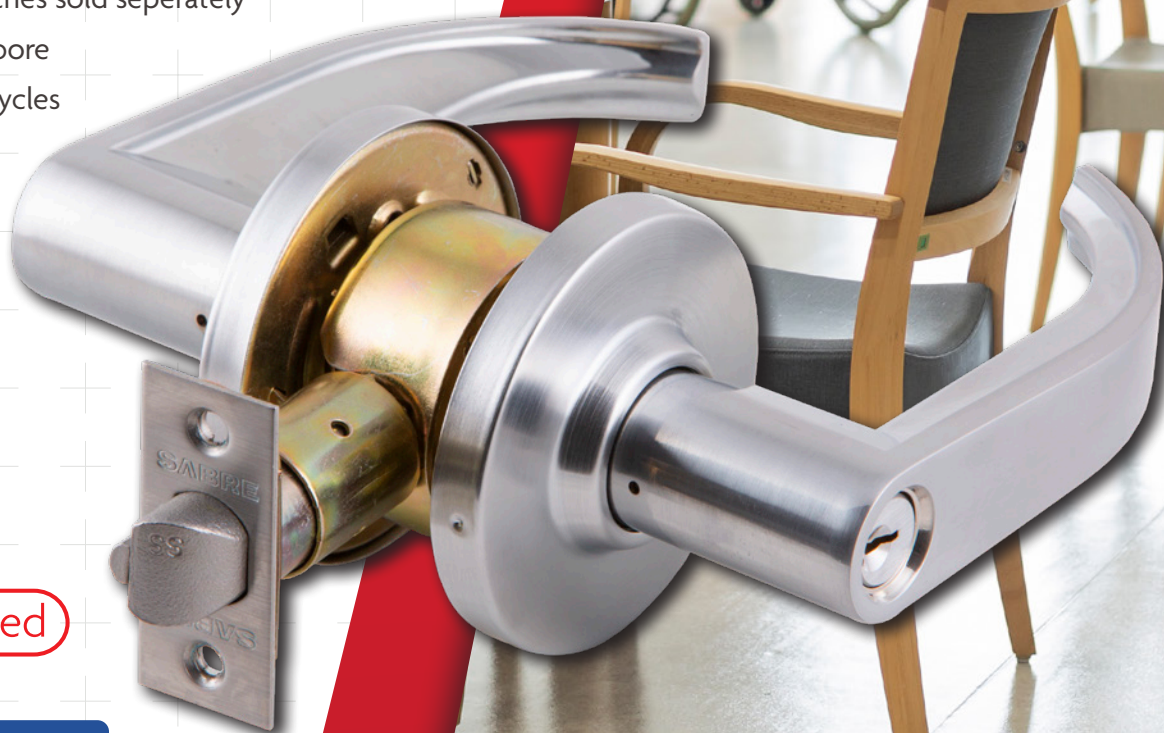
SABRE[®]

ARCHITECTURAL

450 SERIES

CYLINDRICAL LEVER LOCKSETS

- Suitable for master keying and restricted systems
- 6 pin C4 brass PD cylinder
- Rose diameter 75mm
- Heavy duty cylindrical chassis
- Stainless steel latch
- Standard 70mm backset
- Suits door thicknesses between 35-50mm
- Non handed
- 2 keys included (Locking Functions)
- 60mm backset latches sold separately
- Suits 54mm cross bore
- Exceeds 400,000 cycles



450 SERIES LEVER LOCKSETS

FUNCTIONS

The 450 Series Cylindrical locksets are manufactured to semi commercial standards and importantly meet AS1428 accessibility requirements. It's intended design purpose is for use in aged care and common public spaces where AS1428 requirements need to be met.

Keying: The 450 Series can be keyed to most restricted profiles and construction keying requirements.

Finish: Satin Chrome

ENTRANCE SET

SAB-LL450-70-SC

Outside: Operated by handle when unlocked. Key unlocks handle and retracts latch.

Inside: Push button locks outside handle. Inside handle always unlocks outside handle. Opened by handle at all times.



PRIVACY SET

SAB-LL451-70-SC

Outside: Operated by handle when unlocked. Use of emergency slot unlocks handle.

Inside: Push button locks outside handle. Inside handle always unlocks outside handle. Inside lever is always unlocked providing emergency exit.



PASSAGE SET

SAB-LL452-70-SC

Outside: Opened by handle at all times.

Inside: Opened by handle at all times.



STOREROOM SET

SAB-LL453-70-SC

Outside: Key retracts latch. Handle is always locked (rigid).

Inside: Opened by handle at all times.



CLASSROOM SET

SAB-LL454-70-SC

Outside: Operated by handle when unlocked. Key locks or unlocks handle.

Inside: Opened by handle at all times.



STOREROOM SET

SAB-KL460-70-SC

Outside: Key retracts latch. Handle is always locked (rigid).

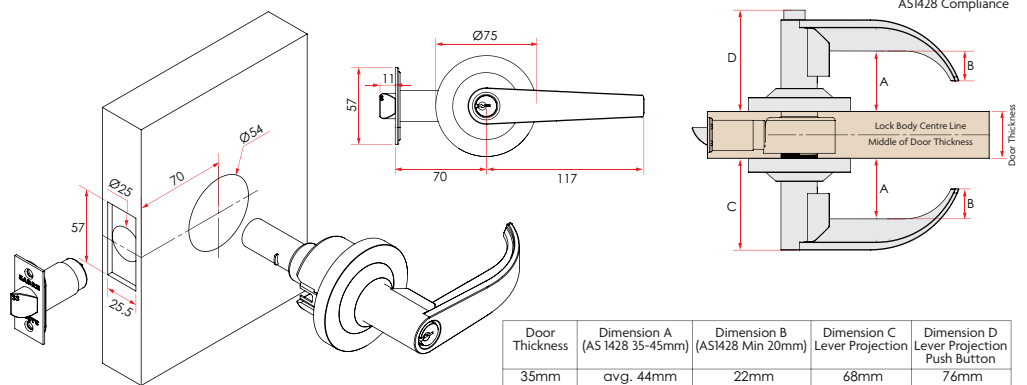
Inside: Opened by handle at all times.

**inside lever only meets AS1428 requirements.*



DIMENSIONS

- 54mm Cross Bore
- 25mm Edge Bore
- Standard 70mm Backset
- 60mm Backset Latches Sold Separately



Door Thickness	Dimension A (AS 1428 35-45mm)	Dimension B (AS1428 Min 20mm)	Dimension C Lever Projection	Dimension D Lever Projection Push Button
35mm	avg. 44mm	22mm	68mm	76mm
50mm	avg. 37mm	22mm	60mm	68mm

CYLINDRICAL LOCKSETS



300 Series



400 Series



450 Series 



500 Series

SABRE
ARCHITECTURAL

www.sabre.com.au